

**PRESSURE-BALANCING VALVE
K-304-K**

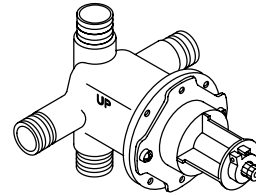
FEATURES

- Brass valve body
- Rite-Temp pressure-balancing diaphragm design valve
- High-temperature limit stop
- Pressure-balancing mechanism of one-piece diaphragm cartridge design for ease of maintenance
- Mixing valve cycles from “cold” to “hot”
- Available with or without screwdriver stops
- Available with female stops for CPVC

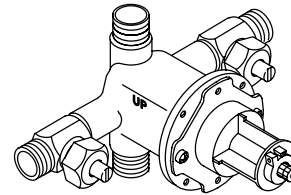
CODES/STANDARDS APPLICABLE

Specified model meets or exceeds the following:

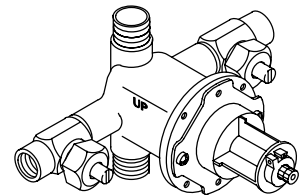
- ASME/ANSI A112.18.1M
- ANSI/ASSE 1016
- CSA International B125
- IAPMO/UPC



K-304-K



K-304-KS



K-304-KP

COLORS/FINISHES

- NA Not applicable

SPECIFIED MODEL:

Model	Description	
K-304-K	Less Screwdriver Stops	<input type="checkbox"/> NA
K-304-KS	With Screwdriver Stops	<input type="checkbox"/> NA
K-304-KP	With Screwdriver Stops For CPVC	<input type="checkbox"/> NA

PRODUCT SPECIFICATION:

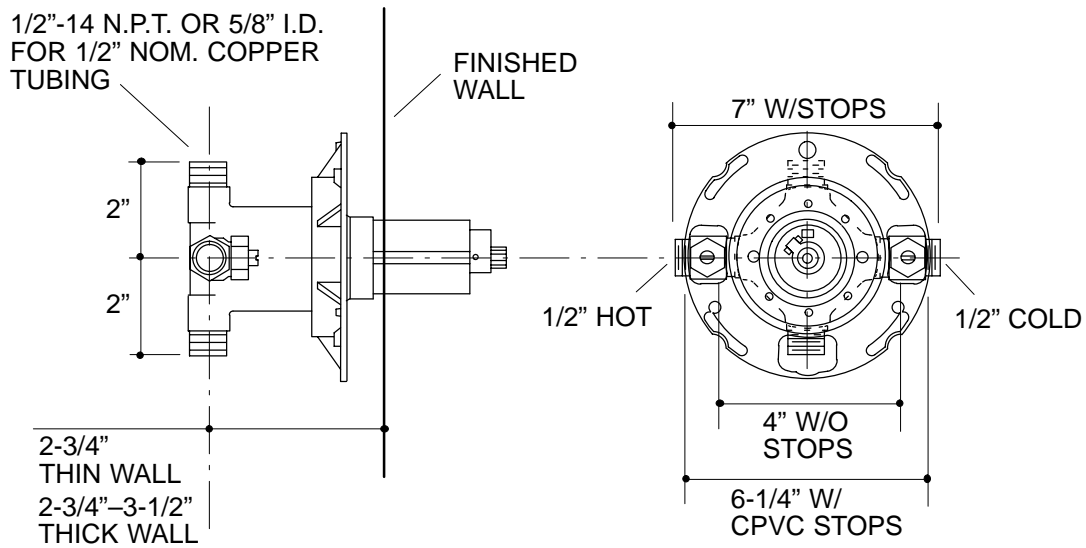
Rite-Temp pressure-balancing single-control valve shall feature a brass valve body. The valve shall mix the water from the “off” position, through the “cold” to the “hot”, and includes a high-temperature limit stop. The pressure-balancing mechanism shall be of one-piece diaphragm cartridge design for ease of maintenance. Optional feature shall be with or without screwdriver stops or female stops for CPVC. Rite-Temp valve shall be Kohler Model K-304-_____-NA.

INSTALLATION NOTES

Avoid cross-flow conditions. Do not install shut-off device on either valve outlet.

Cap shower outlet if deck-mount spout, diverter, or handshower is connected to spout outlet.

Install straight pipe or tube drop of 7 to 18" with single elbow between valve and wall-mount spout.



PRODUCT DIAGRAM