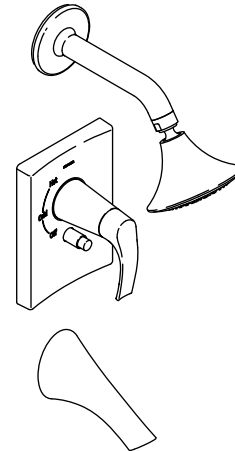


Features

- Brass construction
- Lever handle
- Front seal plate assembly
- Includes showerhead with arm and flange (K-T18488 and K-T18489 only)
- Includes non-diverter spout with NPT connection (K-T18488 only)
- Includes push-button diverter (K-T18488 and K-T98758 only)
- Intended for use with Rite-Temp or HiFlow Rite-Temp valves

**BATH & SHOWER TRIM SET
K-18485**

**ALSO K-T18488, K-T18489, K-T18490,
K-T98758**



Codes/Standards Applicable

Specified model meets or exceeds the following:

- ASSE 1016
- ASME A112.18.1/CSA B125.1

Colors/Finishes

- CP: Polished Chrome
- Other: Refer to Price Book for additional colors/finishes

Accessories

- NA: None applicable

Specified Model

Model	Description	Colors/Finishes	
K-18485	Bath spout	<input type="checkbox"/> CP	<input type="checkbox"/> Other _____
K-T18488-4	Bath and shower trim, with diverter (shown)	<input type="checkbox"/> CP	<input type="checkbox"/> Other _____
K-T18489-4	Shower trim	<input type="checkbox"/> CP	<input type="checkbox"/> Other _____
K-T18490-4	Valve trim	<input type="checkbox"/> CP	<input type="checkbox"/> Other _____
K-T98758-4	Valve trim, with diverter	<input type="checkbox"/> CP	<input type="checkbox"/> Other _____

Required Accessories			
K-304-*	Rite-Temp® valve OR		<input type="checkbox"/> NA
K-2971-KS	HiFlow Rite-Temp valve with stops OR		<input type="checkbox"/> NA
K-11748-K	Rite-Temp valve with diverter OR		<input type="checkbox"/> NA
K-11748-KS	Rite-Temp valve with diverter and stops		<input type="checkbox"/> NA

* For a complete listing of all the Rite-Temp valves, refer to the K-304-* Specification Sheet or Roughing-In Sheet.

Product Specification

The bath & shower trim set shall be made of brass construction. Product shall feature a front seal plate assembly and lever handle. Product shall include showerhead with arm and flange (K-T18488 and K-T18489 only). Product shall include a non-diverter spout with NPT connection (K-T18488 only). Product shall include a push-button diverter (K-T18488 and K-T98758 only). Product is intended for use with Rite-Temp or HiFlow Rite-Temp valves. Product shall be Kohler Model K-T_____-_____-_____.

SYMBOL®

Optional Accessories

88526 HiFlow Rite-Temp® thin wall installation kit

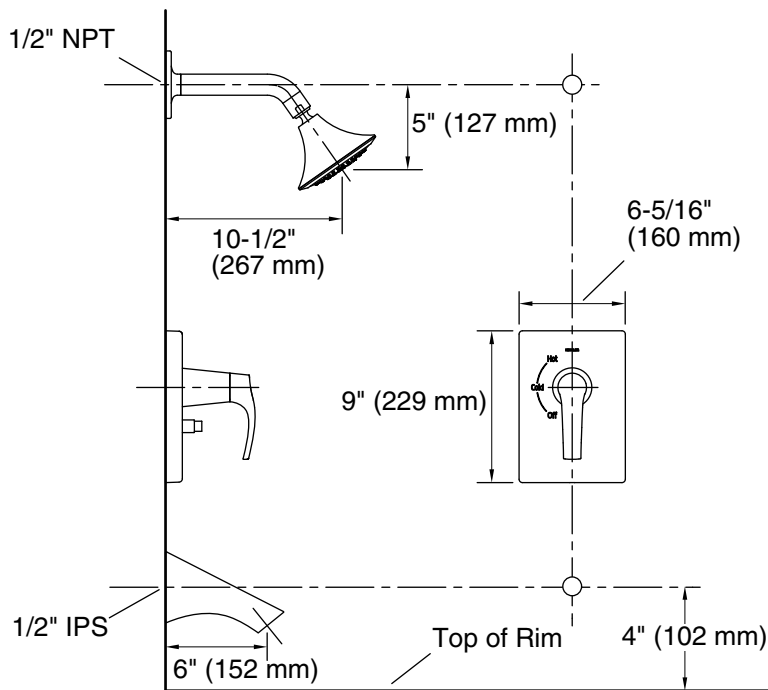
CP

Other _____

Installation Notes

Install this product according to the installation guide.

NOTICE: Risk of product damage. Long screws, for installing trim, can damage the K-2971-KS valve. Consult the trim installation guide to verify if the thin wall installation kit (88526) is needed.



Product Diagram