

FEATURES

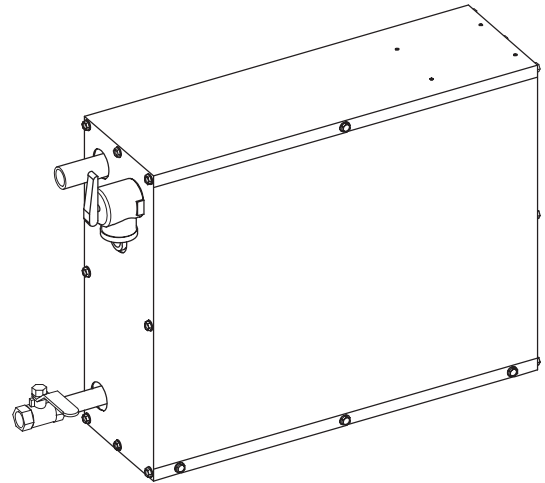
- Three-year warranty
- Steam generators can be installed up to 25' (7.6m) away from steam bath area

K-1657

CODES/STANDARDS APPLICABLE

Specified model meets or exceeds the following:

- UL 499



COLORS/FINISHES

- NA None Applicable

Accessories:

- CP Polished Chrome
- PB Polished Brass
- Other Refer to Fixtures Price Book for additional finishes

SPECIFIED MODEL:

Model	Description	Colors/Finishes		
K-1657	7 kW Steam generator	<input type="checkbox"/> NA		
Required Accessories				
K-1663	Steam head and control panel	<input type="checkbox"/> CP	<input type="checkbox"/> PB	<input type="checkbox"/> Other _____

PRODUCT SPECIFICATION:

The steam generator kit shall include a 7 kW generator. Steam generator shall pass UL 499 standard. Steam generator shall be Kohler Model K-1657.

STEAM GENERATOR

REQUIRED ELECTRICAL SERVICE

Dedicated circuit required:	
Generator	7 kW, 240 V, 40 A, 60 Hz

PRODUCT INFORMATION

Water and drain requirements:	
Water supply	3/8" copper line (3/8" NPT female thread)
Steam line	1/2" copper line (1/2" NPT thread)
Pressure relief valve	3/4" NPT female thread (valve supplied)
Drain line	3/8" copper line, 3/8" NPT female thread (ball valve supplied)

Generator:	
Weight	19-1/2 lbs. (8.8kg)
Electrical rating	240V, 60 Hz, 35A

INSTALLATION NOTES

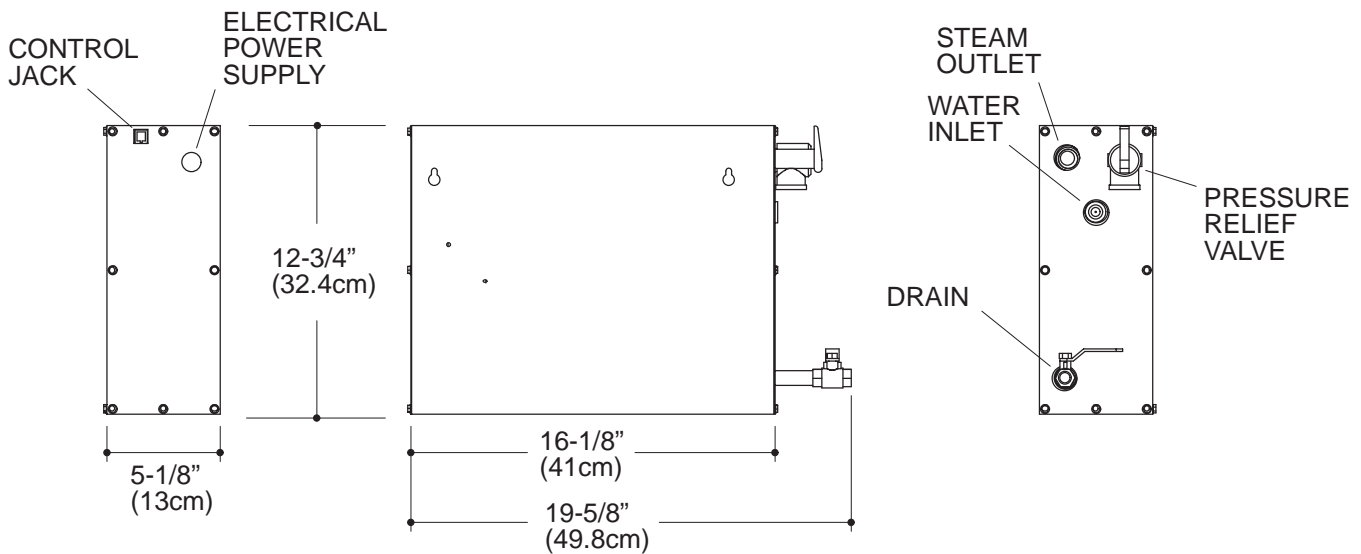
Calculate the area of the enclosure (length x width x height). For this steam generator, do not exceed the rating by material.

Acrylic or gel coat	340 cu. ft. (9.6 cu. m)
Corian, ceramic tile on sheetrock	225 cu. ft. (6.4 cu. m)
Glass tile	165 cu. ft. (4.7 cu. m)
Natural stone tile 3/8" (1cm) to 1/2" (1.3cm)	135 cu. ft. (3.8 cu. m)
Natural stone slab 3/4" (1.9cm) to 1" (2.5cm)	120 cu. ft. (3.4 cu. m)

Roughing-In Notes

Fixture dimensions are nominal.

Access	20" (50.8cm)W x 13" (33cm) H	minimum required
--------	------------------------------	------------------



PRODUCT DIAGRAM