

## INSTALLATION INSTRUCTIONS

### INSTALLATION

#### LEVER AND T-HANDLES

**NOTE:** Escutcheons are supplied with widespread faucet applications only. Refer to valve kit installation instruction for escutcheon assembly procedures prior to installing handles.

Place spline adapter onto valve stem.

Place handle stem/skirt over valve and fasten to valve stem using lockwasher and screw provided. Make sure to align eyelets in handle stem/skirt so that they point to other handle. Use 5/32" hex key to tighten.

Place centerpiece onto handle stem/skirt so that eyelet holes are clearly visible. Fasten centerpiece in place by inserting two screws (flat surface facing out). Place one screw into each side of centerpiece. Use 5/32" hex key to tighten.

Slip each color ring over endpiece threads and onto shoulder of each endpiece.

Slip O-rings over endpiece threads and onto shoulder of each endpiece.

**NOTE:** Use soapy water to lubricate O-rings.

Screw endpieces into centerpiece until tight.

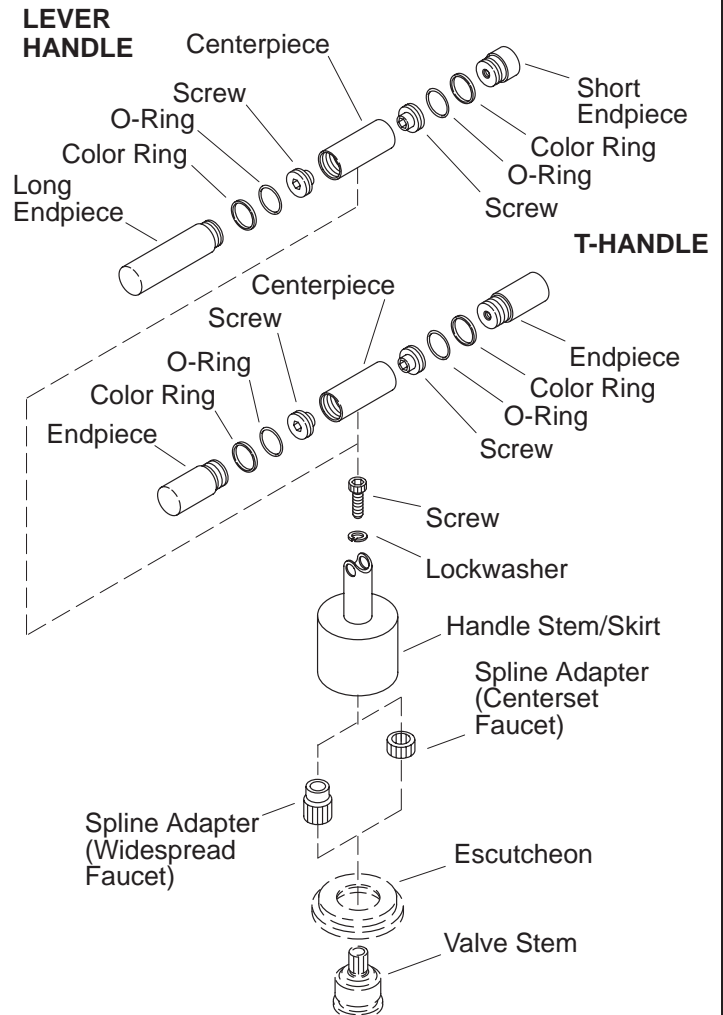


Fig. #1

#### VANDAL-RESISTANT LEVER AND T-HANDLES WITH AERATOR

Install vandal-resistant lever and T-handles using installation procedures accompanying Fig. #1 above.

In addition, thread long screw through endpiece until tight using 5/64" hex key.

Press plug button into endpiece of T-handle.

Install vandal-resistant aerator into spout using Kohler Wrench #56137.

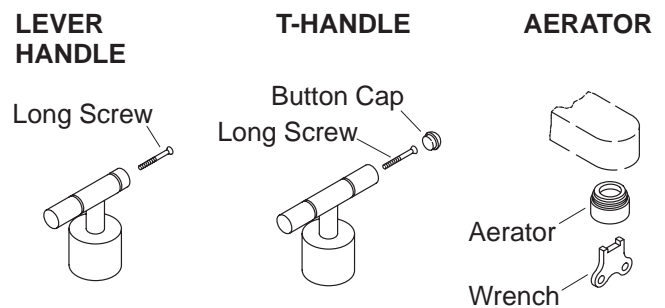


Fig. #2

## SWIRL AND SQUARE HANDLES

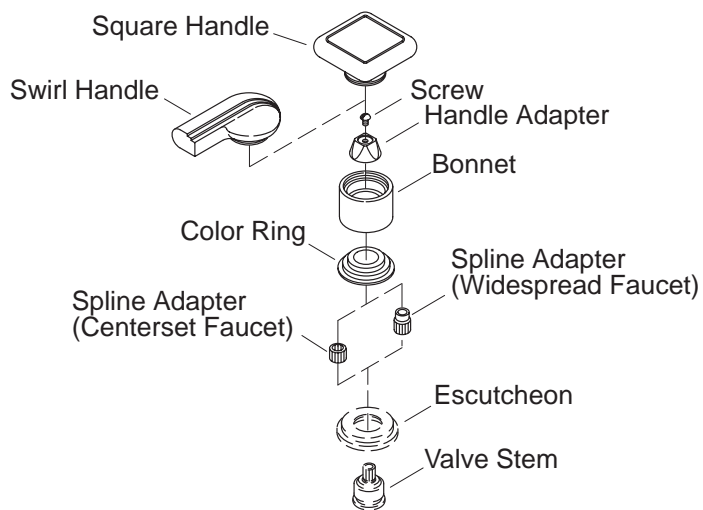
**NOTE:** Escutcheons are supplied with widespread faucet applications only. Refer to valve kit installation instruction for escutcheon assembly procedures prior to installing handles.

Place spline adapter onto valve stem.

Place color ring and bonnet over valve and press firmly against escutcheon or faucet body. Place bonnet over valve.

**Partially** install the handle adapter onto the spline adapter previously installed, and check alignment of the handle. Align external flats of handle adapter so that external flats are parallel to faucet body or back edge of fixture or wall. This can be done by careful adjustment of spline adapter and handle adapter.

Fasten handle adapter to valve stem using screw. Set handle onto handle adapter and thread bonnet up onto handle threads until tight.



**Fig. #3**