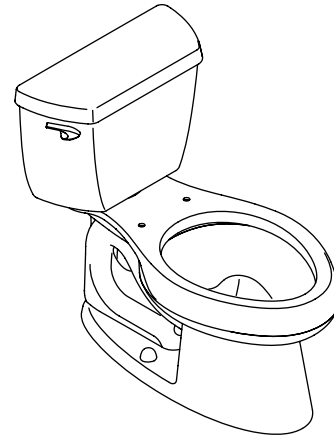


### Features

- Vitreous china
- Elongated bowl
- Class Five™ flushing system
- 12" (30.5 cm) rough-in
- Less seat and supply
- 2-1/8" (5.4 cm) glazed trapway
- 1.6 gpf (6 lpf)
- Insuliner® insulated tank lining
- 11-1/4" (28.6 cm) x 8-1/4" (21 cm) water area
- 30" (76.2 cm) x 20" (50.8 cm) x 27-3/4" (70.5 cm)

### CLASS FIVE™ TOILET WITH INSULINER® INSULATED TANK **K-3656-U** ALSO K-3656-UR



### Codes/Standards Applicable

Specified model meets or exceeds the following:

- ASME A112.19.2/CSA B45.1

### Colors/Finishes

- 0: White
- Other: Refer to Price Book for additional colors/finishes

### Accessories

- 0: White
- CP: Polished Chrome
- PB: Vibrant® Polished Brass
- Other: Refer to Price Book for additional colors/finishes

### Specified Model

Model	Description	Trip Lever	Colors/Finishes	
K-3656-U	Class Five™ toilet with Insuliner® insulated tank	left-hand	<input type="checkbox"/> 0	<input type="checkbox"/> Other_____
K-3656-UR	Class Five™ toilet with Insuliner® insulated tank	right-hand	<input type="checkbox"/> 0	<input type="checkbox"/> Other_____

Recommended Accessories					
K-4653	French Curve™ seat with cover	<input type="checkbox"/> 0			<input type="checkbox"/> Other_____
K-4664	Brevia™ seat with cover	<input type="checkbox"/> 0			<input type="checkbox"/> Other_____
K-7637	Angle supply with stop – 3/8" NPT		<input type="checkbox"/> CP	<input type="checkbox"/> PB	<input type="checkbox"/> Other_____

### Product Specification

The toilet with elongated bowl shall be made of vitreous china. Toilet shall be 30" (76.2 cm) in length, 20" (50.8 cm) in width, and 27-3/4" (70.5 cm) in height with a 11-1/4" (28.6 cm) x 8-1/4" (21 cm) water area. Toilet shall be 1.6 gpf (6 lpf) with Class Five™ flushing system. Toilet shall have 2-1/8" (5.4 cm) glazed trapway and Insuliner® insulated tank lining. Toilet shall be 12" (30.5 cm) rough-in, less seat and supply. Toilet shall be Kohler Model K-3656-\_\_\_\_\_-\_\_\_\_\_-\_\_\_\_\_.

# WELLWORTH®

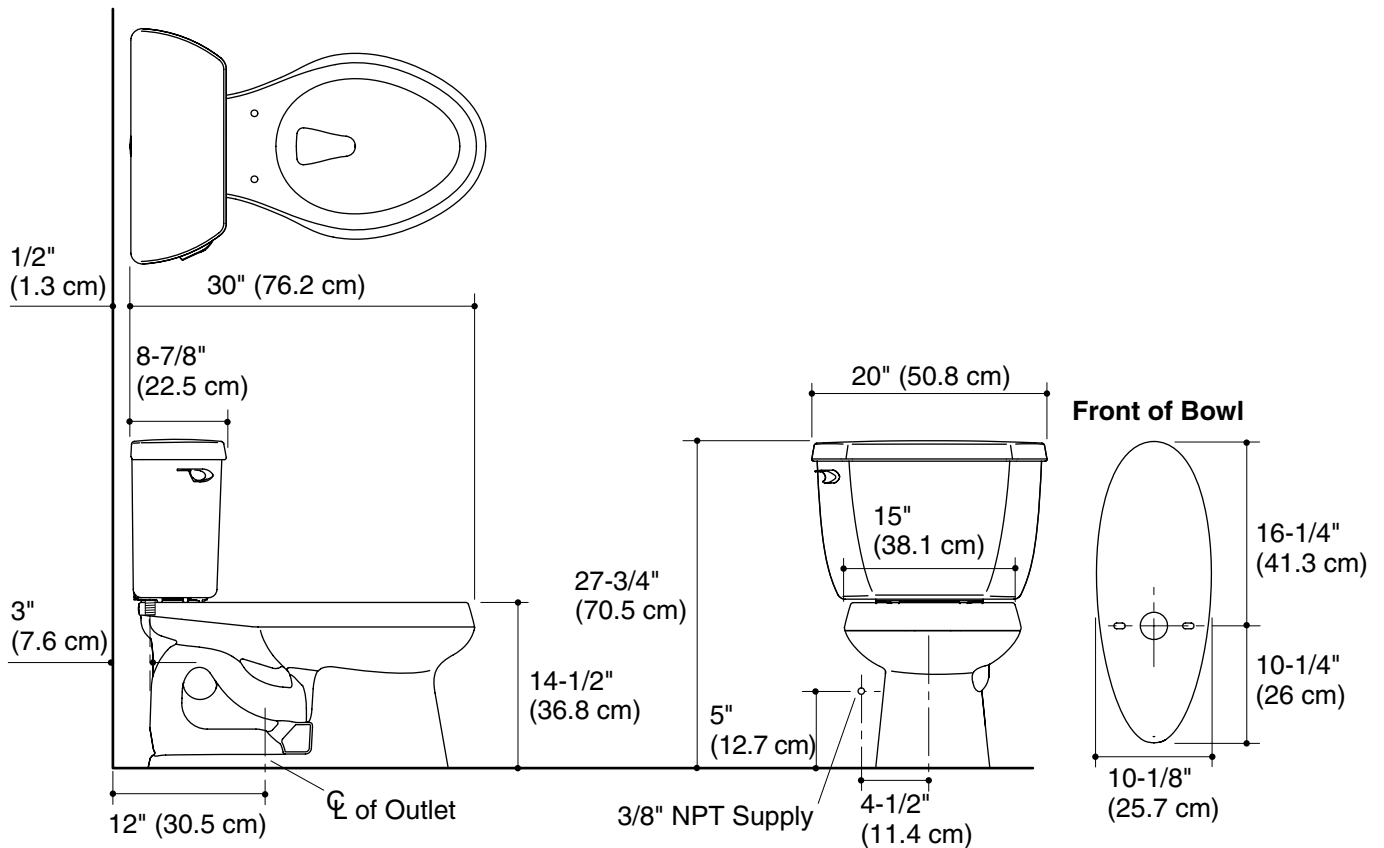
## Technical Information

Fixture:	
Configuration	two-piece, elongated
Water per flush	1.6 gal (6 L)
Passageway	2-1/8" (5.4 cm)
Water area	11-1/4" (28.6 cm) x 8-1/4" (21 cm)
Water depth from rim	5-1/4" (13.3 cm)
Seat post hole centers	5-1/2" (14 cm)

Included components:	
Tank cover	1052368
Tank cover locks	1052368-T
Bowl, EB	K-4293
Tank, Insulined, LH trip lever	K-4483-U
Tank, Insulined, RH trip lever	K-4483-UR
Tank, Insulined, LH trip lever, cover locks	K-4483-UT
Tank, Insulined, RH trip lever, cover locks	K-4483-RZ

## Installation Notes

Install this product according to the installation guide.



## Product Diagram

WELLWORTH® CLASS FIVE™ TOILET WITH INSULINER® INSULATED TANK