

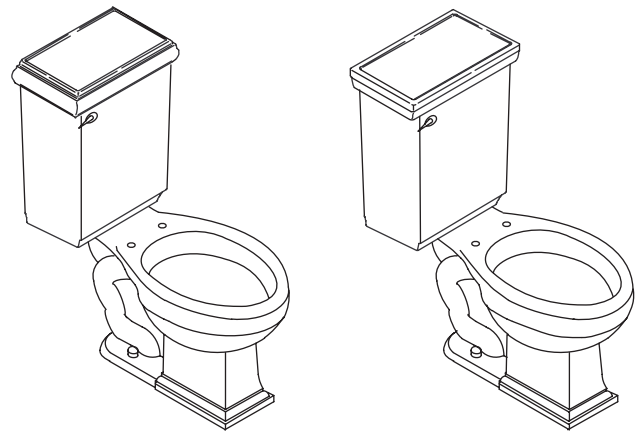
Features

- Vitreous china
- Elongated bowl
- EPDM flapper
- 12" (30.5 cm) rough-in
- 1.6 gpf (6 lpf) or 1.4 gpf (5.3 lpf)
- Class Five™ flushing system
- 2-1/8" (5.4 cm) glazed trapway
- Includes polished chrome trip lever
- 16-1/2" (41.9 cm) high bowl is ADA compliant with seat
- Combination toilet
- Less seat and supply
- With classic design (K-3515) or stately design (K-3526)
- 11" (28 cm) x 8-1/2" (21.6 cm) water area

COMFORT HEIGHT™ TOILETS

K-3515
ALSO K-3526

ADA



Codes/Standards Applicable

Specified model meets or exceeds the following:

- ASME A112.19.6
- ASME A112.19.2
- IAPMO/UPC
- Energy Policy Act of 1992 (EPACT)
- CSA B45

Colors/Finishes

- 0: White
- Other: Refer to Price Book for additional colors/finishes

Accessories:

- 0: White
- CP: Polished Chrome
- PB: Polished Brass
- Other: Refer to Price Book for additional colors/finishes

Specified Model

Model	Description	Colors/Finishes	
K-3515	Elongated bowl toilet with classic design	<input type="checkbox"/> 0	<input type="checkbox"/> Other _____
K-3526	Elongated bowl toilet with stately design	<input type="checkbox"/> 0	<input type="checkbox"/> Other _____

Recommended Accessories			
K-4684	Glenbury™ seat with cover	<input type="checkbox"/> 0	<input type="checkbox"/> Other _____
K-4752	Triko™ seat with cover	<input type="checkbox"/> 0	<input type="checkbox"/> Other _____
K-7637	3/8" angle supply with stop	<input type="checkbox"/> CP	<input type="checkbox"/> PB <input type="checkbox"/> Other _____

Product Specification:

The elongated combination toilet shall be 12" (30.5 cm) rough-in. Toilet shall be made of vitreous china. Toilet shall be at comfort height. Toilet shall have 11" (28 cm) x 8-1/2" (21.6 cm) water area. Toilet shall be classic design (K-3515) or stately design (K-3526). Toilet shall be rated at 1.6 gallons (6 L) per flush or 1.4 gallons (5.3 L) per flush with Class Five™ flushing system. Toilet shall have 2-1/8" (5.4 cm) glazed trapway. Toilet shall include polished chrome trip lever. Toilet shall be less seat and supply. Toilet shall be ADA compliant with 16-1/2" (41.9 cm) high bowl. Toilet shall have EPDM flapper. Toilet shall be Kohler Model K-_____-_____.

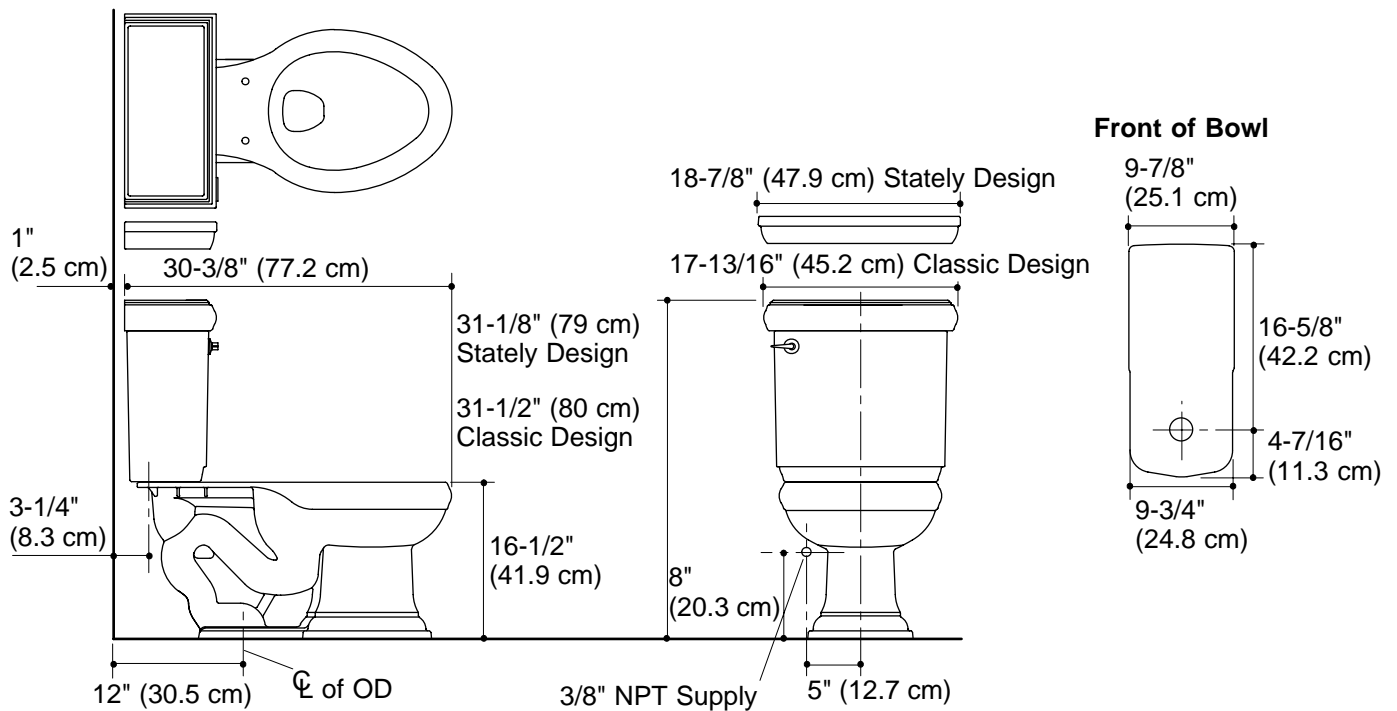
MEMOIRS® CLASS FIVE™

Technical Information

Fixture:	
Configuration	2-piece, elongated
Water per flush	1.6 gallons (6 L) or 1.4 gallons (5.3 L)
Passageway	2-1/8" (5.4 cm)
Water area	11" (28 cm) x 8-1/2" (21.6 cm)
Water depth from rim	5-7/8" (14.9 cm)
Seat post hole centers	5-1/2" (14 cm)
Included components:	
Bowl	K-4294
Tank with classic design	K-4491
Tank with stately design	K-4492
Tank cover with classic design	1052861
Tank cover with stately design	1052862
Trip lever	K-9439

Installation Notes

Install this product according to the installation guide.



Product Diagram