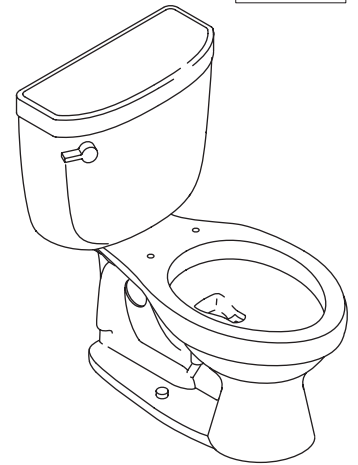


COMFORT HEIGHT™ TOILET K-3496

ADA



Features

- 12" (30.5 cm) rough-in
- Vitreous china
- Elongated bowl
- Less seat and supply
- Combination toilet
- Class Five™ flushing system
- 2-1/8" (5.4 cm) glazed trapway
- 1.6 gpf (6 lpf) or 1.4 gpf (5.3 lpf) or 1.28 gpf (4.8 lpf)
- 16-1/2" (41.9 cm) high bowl is ADA compliant
- 11-3/4" (29.8 cm) x 9-1/4" (23.5 cm) water area
- 29-3/8" (74.6 cm) x 19" (48.3 cm) x 30-3/4" (78.1 cm)

Codes/Standards Applicable

Specified model meets or exceeds the following:

- ASME A112.19.2
- ASME A112.19.6
- IAPMO/UPC
- Energy Policy Act of 1992 (EPACT)
- CSA B45
- ADA

Colors/Finishes

- 0: White
- Other: Refer to Price Book for additional colors/finishes

Accessories:

- PB: Polished Brass
- Other: Refer to Price Book for additional colors/finishes

Specified Model

Model	Description	Colors/Finishes	
K-3496	Elongated front (left side trip lever), 1.6 gpf (6 lpf) or 1.4 gpf (5.3 lpf)	<input type="checkbox"/> 0	<input type="checkbox"/> Other_____
K-3496-HE	Elongated front (left side trip lever), 1.28 gpf (4.8 lpf)	<input type="checkbox"/> 0	<input type="checkbox"/> Other_____
K-3496-RA	Elongated front (right side trip lever)	<input type="checkbox"/> 0	<input type="checkbox"/> Other_____

Recommended Accessories			
K-4664	Brevia™ seat with cover	<input type="checkbox"/> 0	<input type="checkbox"/> Other_____
K-7637	3/8" Angle supply with stop	<input type="checkbox"/> CP	<input type="checkbox"/> PB <input type="checkbox"/> Other_____

Product Specification:

Toilet shall be 29-3/8" (74.6 cm) in length x 19" (48.3 cm) in width x 30-3/4" (78.1 cm) in height. The 2-piece toilet combination shall be 12" (30.5 cm) rough-in. Toilet shall be made of vitreous china and have an elongated bowl. Toilet shall be at comfort height. Toilet shall be rated at 1.6 gpf (6 lpf) or 1.4 gpf (5.3 lpf) or 1.28 gpf (4.8 lpf), with Class 5™ flushing system and a 2-1/8" (5.4 cm) glazed trapway. Toilet shall be ADA compliant with 16-1/2" (41.9 cm) high bowl. Toilet shall be less seat and supply. Toilet shall have 11-3/4" (29.8 cm) x 9-1/4" (23.5 cm) water area. Toilet shall be Kohler Model K-3496-_____-_____-_____.

CIMARRON™

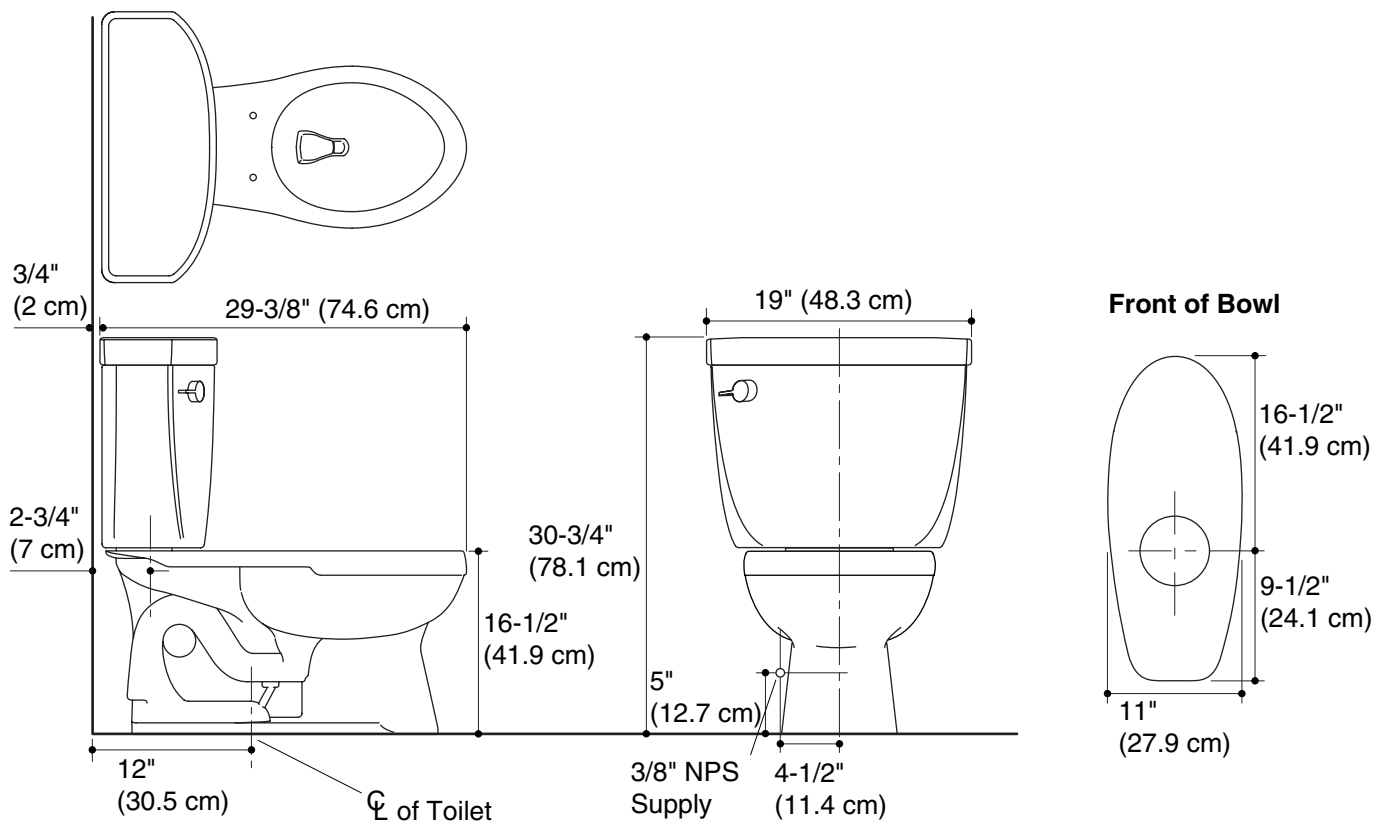
Technical Information

Fixture:	
Configuration	2-piece, elongated
Flow rate	1.6 gpf (6 lpf) or 1.4 gpf (5.3 lpf) or 1.28 gpf (4.8 lpf)
Passageway	2-1/8" (5.4 cm)
Water area	11-3/4" (29.8 cm) x 9-1/4" (23.5 cm)
Water depth from rim	5-7/8" (14.9 cm)
Seat post hole centers	5-1/2" (14 cm)

Included components:	
Tank cover	1015867
Trip lever, left side	1034693, 1051911
Trip lever, right side	1036058
Bolt cap accessory pack	1013092
Tank accessory pack	1016548

Installation Notes

Install this product according to the installation guide.



Product Diagram

CIMARRON™ COMFORT HEIGHT™ TOILET

Page 2 of 2
1020805-4-D

THE BOLD LOOK
OF **KOHLER**®