

UNDER-MOUNT KITCHEN SINK K-3376

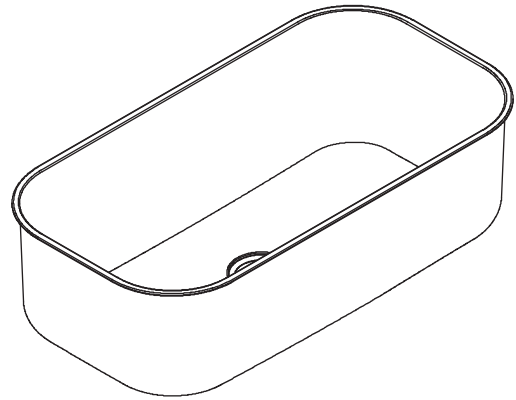
Features

- 18-gauge stainless steel
- Single compartment
- Under-mount
- Includes installation hardware
- Rounded bowl(s)
- 34-3/8" (873 mm) x 17-3/8" (441 mm)

Codes/Standards Applicable

Specified model meets or exceeds the following:

- ASME A112.19.3/CSA B45.4



Colors/Finishes

- NA: None applicable

Accessories

- CP: Polished Chrome
- Other: Refer to Price Book for additional colors/finishes

Specified Model

Model	Description	Colors/Finishes
K-3376	Under-mount kitchen sink	<input type="checkbox"/> NA

Recommended Accessories			
K-8801	Duostrainer® sink strainer	<input type="checkbox"/> CP	<input type="checkbox"/> Other_____
K-8813	Stainless steel sink strainer with tailpiece	<input type="checkbox"/> CP	
K-8814	Stainless steel sink strainer, less tailpiece	<input type="checkbox"/> CP	

Product Specification

The under-mount kitchen sink shall be made of 18-gauge stainless steel. Sink shall be 34-3/8" (873 mm) in length and 17-3/8" (441 mm) in width. Sink shall be single compartment with rounded bowl. Sink shall include installation hardware. Sink shall be Kohler Model K-3376-NA.

UNDERTONE®

Technical Information

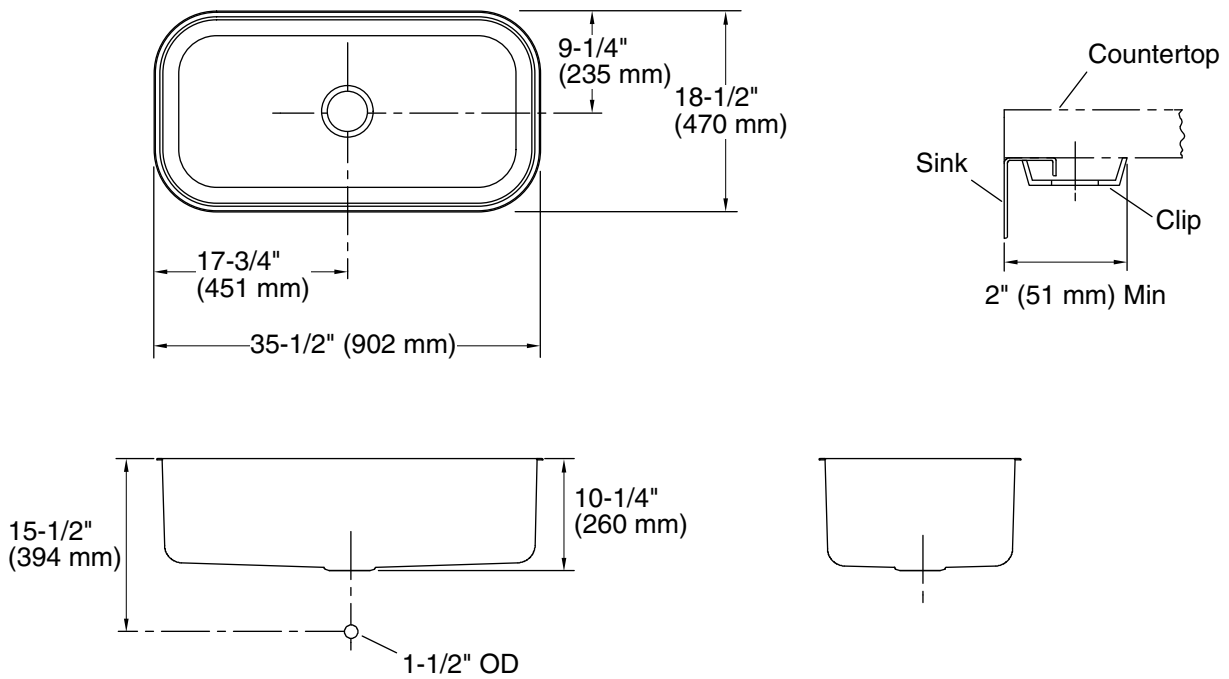
Fixture*:	
Bowl area	34-3/8" (873 mm) x 17-3/8" (441 mm)
Water depth	10" (254 mm)
Drain hole	Ø 3-5/8" (92 mm)
*Approximate measurements for comparison only.	

Included components:	
Hardware kit	91915
Cut-out template	1042725-7

Installation Notes

Install this product according to the installation guide.

Allow a minimum of 2" (51 mm) clearance around the sink rim for clip attachment.



Product Diagram