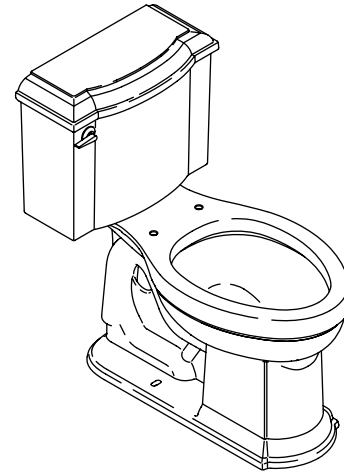


COMFORT HEIGHT® TOILET K-3503

ADA CSA B651 OBC

Features

- Vitreous china
- Comfort Height®
- Combination toilet
- Elongated bowl
- Class Five® flushing system
- Less seat and supply
- 12" (30.5 cm) rough-in
- 1.6 gpf (6 lpf)
- 2-1/8" (5.4 cm) glazed trapway
- 11-3/4" (29.8 cm) x 9-1/4" (23.5 cm) water area
- 30-1/2" (77.5 cm) x 17-1/4" (43.8 cm) x 31" (78.7 cm)



Codes/Standards Applicable

Specified model meets or exceeds the following:

- ADA
- ICC/ANSI A117.1
- CSA B651
- OBC
- ASME A112.19.2/CSA B45.1
- Energy Policy Act of 1992

Colors/Finishes

- 0: White
- Other: Refer to Price Book for additional colors/finishes

Accessories

- 0: White
- CP: Polished Chrome
- PB: Vibrant® Polished Brass
- Other: Refer to Price Book for additional colors/finishes

Specified Model

Model	Description	Colors/Finishes		
K-3503	Two-piece elongated toilet	<input type="checkbox"/> 0	<input type="checkbox"/> Other_____	
Recommended Accessories				
K-7637	Angle supply with stop – 3/8" NPT	<input type="checkbox"/> CP	<input type="checkbox"/> PB	<input type="checkbox"/> Other_____
Optional Accessories				
K-4650	Lustra™ elongated open-front toilet seat – for Accessibility compliance	<input type="checkbox"/> 0		<input type="checkbox"/> Other_____
K-9381	Trip lever (non-CP)		<input type="checkbox"/> PB	<input type="checkbox"/> Other_____

Product Specification:

The elongated toilet combination shall be made of vitreous china. Toilet shall be 30-1/2" (77.5 cm) in depth, 17-1/4" (43.8 cm) in width, and 31" (78.7 cm) in height with a 11-3/4" (29.8 cm) x 9-1/4" (23.5 cm) water area. Toilet shall be 1.6 gpf (6 lpf) with Class Five® flushing system. Toilet shall be 12" (30.5 cm) rough-in, and 2-1/8" (5.4 cm) glazed trapway. Toilet shall be less seat and supply. Toilet shall be Kohler Model K-3503-_____.

DEVONSHIRE®

Technical Information

Fixture:	
Configuration	two-piece, elongated
Water per flush	1.6 gpf (6 lpf)
Passageway	2-1/8" (5.4 cm)
Water area	11-3/4" (29.8 cm) x 9-1/4" (23.5 cm)
Water depth from rim	6" (15.2 cm)
Seat post hole centers	5-1/2" (14 cm)

Included components:	
Elongated bowl	K-4288
Toilet tank with left-handed trip lever	K-4708
Tank cover	1044820
Trip lever	1126917
Bolt cap accessory pack	1013092
Tank attachment kit	1016548

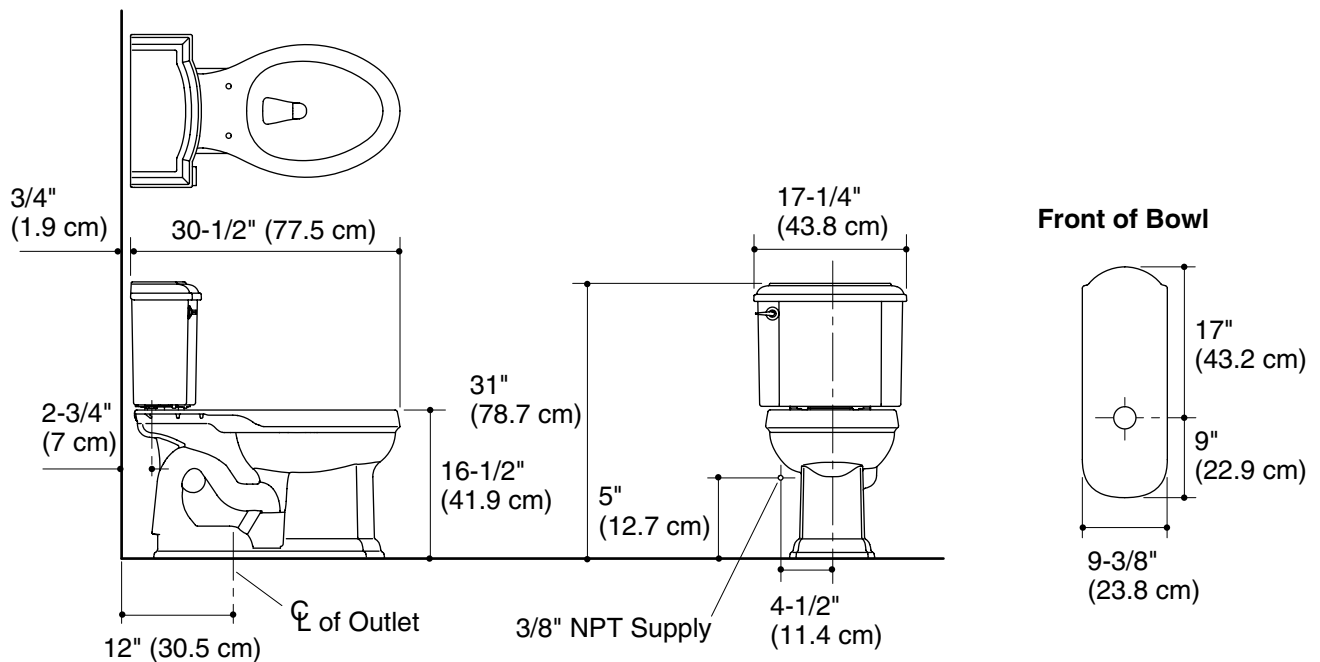
Installation Notes

Install this product according to the installation guide.

Will comply with the American Disabilities Act (**ADA**) when installed per the requirements of the Accessibility Guidelines, Section 604 Water Closets, of the Act. The Model Plumbing Codes require the installation of elongated open-front toilet seats in public bathrooms.

Will comply with **CSA B651** when installed per Clause 4.3.6 of the standard.

Will comply with **OBC** installed per Clause 3.8.3.8 and 3.8.3.9.



Product Diagram