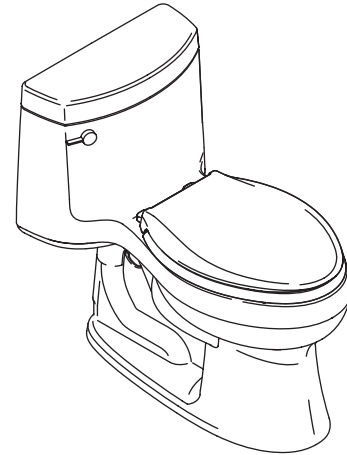


### COMFORT HEIGHT™ TOILET K-3489

ADA

#### Features

- 12" (30.5 cm) rough-in
- Vitreous china
- EPDM flapper
- Includes seat and cover
- Includes polished chrome trip lever
- Elongated bowl
- Less supply
- 1.6 gpf (6 lpf) or 1.4 gpf (5.3 lpf)
- Class 5™ flushing system
- 2-1/8" (5.4 cm) glazed trapway
- One-piece
- Available with right-hand or left-hand trip lever
- 11-1/2" (29.2 cm) x 8-1/2" (21.6 cm) water area



#### Codes/Standards Applicable

Specified model meets or exceeds the following:

- ASME A112.19.2
- ASME A112.19.6
- Energy Policy Act of 1992 (EPACT)
- IAPMO/UPC
- ADA
- CSA B45

#### Colors/Finishes

- 0: White
- Other: Refer to Price Book for additional colors/finishes

#### Accessories:

- CP: Polished Chrome
- PB: Polished Brass
- Other: Refer to Price Book for additional colors/finishes

#### Specified Model

Model	Description	Colors/Finishes	
K-3489	Elongated comfort height toilet bowl, left-hand trip lever	<input type="checkbox"/> 0 White	<input type="checkbox"/> Other_____
K-3489-RA	Elongated comfort height toilet bowl, right-hand trip lever	<input type="checkbox"/> 0 White	<input type="checkbox"/> Other_____

#### Recommended Accessories

K-7637	3/8" Angle supply with stop	<input type="checkbox"/> 0 White	<input type="checkbox"/> Other_____
--------	-----------------------------	----------------------------------	-------------------------------------

#### Optional Accessories

K-9466-L	Left-hand trip lever (non-CP)	<input type="checkbox"/> PB	<input type="checkbox"/> Other_____
K-9466-R	Right-hand trip lever (non-CP)	<input type="checkbox"/> PB	<input type="checkbox"/> Other_____
K-9470-L	Left-hand trip lever	<input type="checkbox"/> PB	<input type="checkbox"/> Other_____
K-9470-R	Right-hand trip lever	<input type="checkbox"/> PB	<input type="checkbox"/> Other_____

#### Product Specification:

The Comfort Height™ 1-piece toilet with elongated bowl shall be made of vitreous china. Toilet shall be 1.6 gpf (6 lpf) or 1.4 gpf (5.3 lpf) with Class 5™ flushing system. Toilet shall have 12" (30.5 cm) rough-in, 2-1/8" (5.4 cm) glazed trapway, and EPDM flapper. Toilet shall include seat, cover, and polished chrome trip lever. Toilet shall be less supply. Toilet shall have 11-1/2" (29.2 cm) x 8-1/2" (21.6 cm) water area. Toilet shall be available with left-hand or right-hand trip lever. Toilet shall be Kohler Model K-3489-\_\_\_\_\_ or K-3489-RA-\_\_\_\_\_.

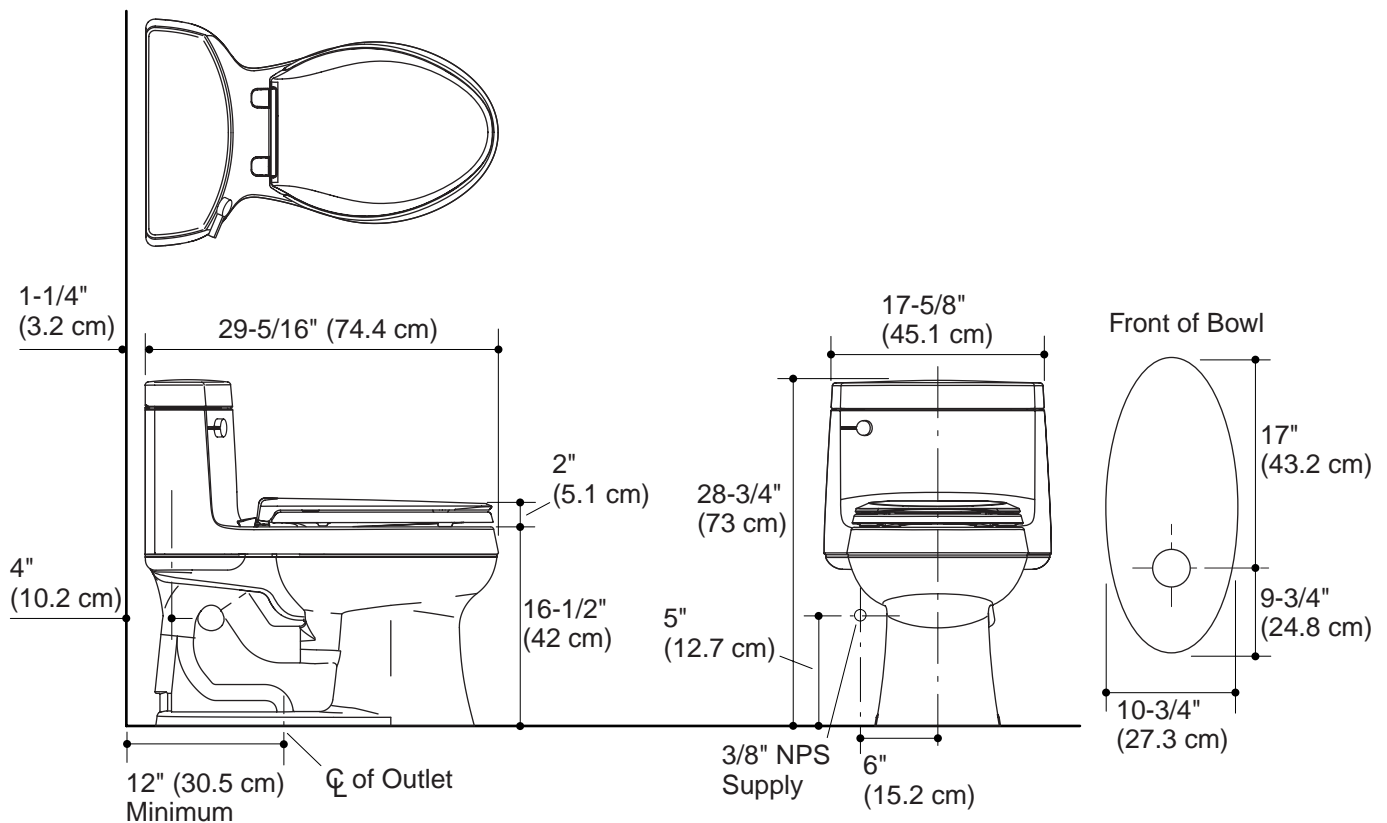
# CIMARRON™

## Technical Information

Fixture:	
Configuration	1-piece, elongated
Water per flush	1.6 gallons (6 L) or 1.4 gallons (5.3 L)
Passageway	2-1/8" (5.4 cm)
Water area	11-1/2" (29.2 cm) x 8-1/2" (21.6 cm)
Water depth from rim	6-1/8" (15.5 cm)
Seat post hole centers	5-1/2" (14 cm)
Included Components:	
Seat	4636
Tank cover	1036367
Trip lever, left-hand	K-9466-L
Trip lever, right-hand	K-9466-R
Bolt cap accessory pack	1013092
Tank accessory pack	52265

## Installation Notes

Install this product according to the installation guide.



## Product Diagram