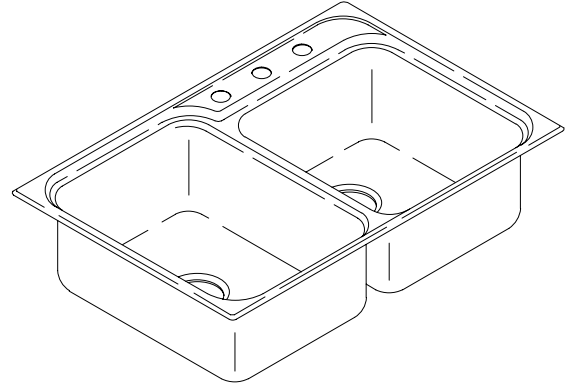


SELF-RIMMING KITCHEN SINK

K-3268

FEATURES

- 33" x 22"
- 18 gauge stainless steel
- Self-rimming
- Double (large/medium) compartment
- 3-hole (K-3268-3), or single-hole (K-3268-1) faucet punching
- Includes installation hardware



CODES/STANDARDS APPLICABLE

Specified model meets or exceeds the following:

- Canadian Standards Association (CSA)

COLORS/FINISHES

- NA None Applicable

Accessories:

- CP Polished Chrome
- 0 White
- NA None Applicable
- Other Refer to Price Book for additional finishes

SPECIFIED MODEL:

Model	Description	Colors/Finishes
K-3268-3	3-hole sink	<input type="checkbox"/> NA
K-3268-1	Single-hole sink	<input type="checkbox"/> NA

Optional Accessories			
K-3190	Bottom basin rack	<input type="checkbox"/> 0 White	<input type="checkbox"/> Other _____
K-3277	Wire rinse basket	<input type="checkbox"/> 0 White	<input type="checkbox"/> Other _____
K-3294	Hardwood cutting board	<input type="checkbox"/> NA	
K-8801	Duostrainer sink strainer	<input type="checkbox"/> CP	<input type="checkbox"/> Other _____

PRODUCT SPECIFICATION:

The self-rimming kitchen sink shall be 33" in length, and 22" in width. Sink shall be made of 18 gauge stainless steel. Sink shall be double (large/medium) compartment. Sink shall be 3-hole (K-3268-3), or single-hole (K-3268-1) faucet punched. Sink shall include installation hardware. Sink shall be Kohler Model K-3268-_____-_____-_____.

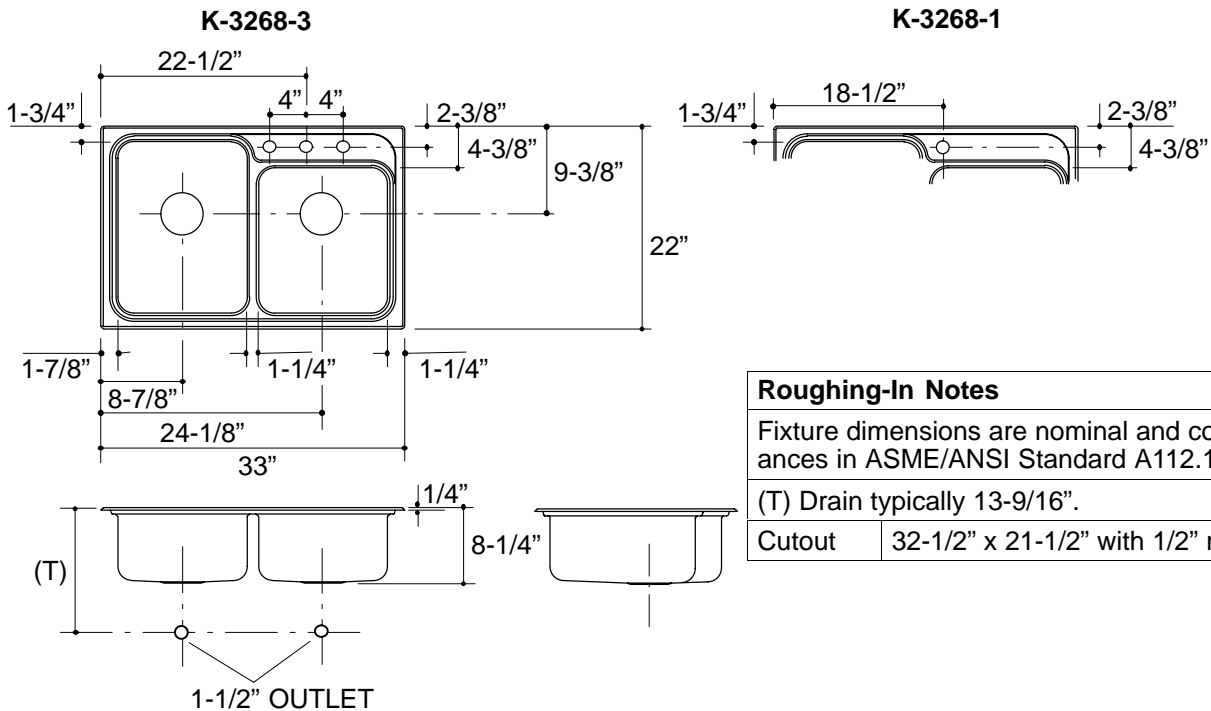
BALLAD

PRODUCT INFORMATION

Fixture*:		basin area	water depth
Sink, left		14" x 19"	7-1/4"
Sink, right		14" x 16"	7-1/4"
Outlet	3-5/8" D.		
Faucet holes	1-7/16" D.		

* Approximate measurements for comparison only.

Included Components:	
Fastener pack	90208



.85<116

PRODUCT DIAGRAM