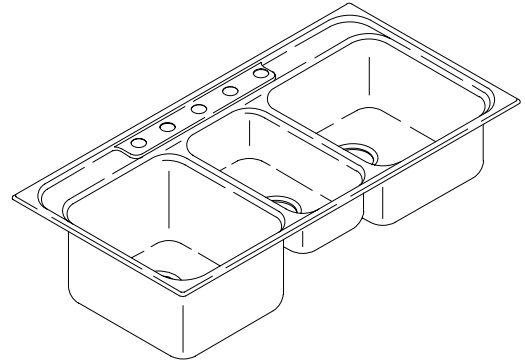


### SELF-RIMMING KITCHEN SINK

# K-3248

#### FEATURES

- 43-1/4" x 22"
- 18 gauge stainless steel
- Self-rimming
- Triple compartment with two equal basins and smaller center disposal basin
- 3-hole (K-3248-3), 5-hole (K-3248-5), or single-hole (K-3248-1) faucet punching
- Includes installation hardware



#### CODES/STANDARDS APPLICABLE

Specified model meets or exceeds the following:

- IAPMO/UPC
- State of Massachusetts

#### COLORS/FINISHES

- NA None Applicable

#### Accessories:

- CP Polished Chrome
- 0 White
- NA None Applicable
- Other Refer to Price Book for additional colors

#### SPECIFIED MODEL:

Model	Description	Colors/Finishes
K-3248-3	3-hole sink	<input type="checkbox"/> NA
K-3248-5	5-hole sink	<input type="checkbox"/> NA
K-3248-1	Single-hole sink	<input type="checkbox"/> NA

Optional Accessories			
K-3190	Bottom basin rack (for either large basin)	<input type="checkbox"/> 0 White	<input type="checkbox"/> Other_____
K-3294	Hardwood cutting board (for either large basin)	<input type="checkbox"/> NA	
K-3277	Wire rinse basket (for either large basin)	<input type="checkbox"/> 0 White	<input type="checkbox"/> Other_____
K-8801	Duostrainer sink strainer	<input type="checkbox"/> CP	<input type="checkbox"/> Other_____

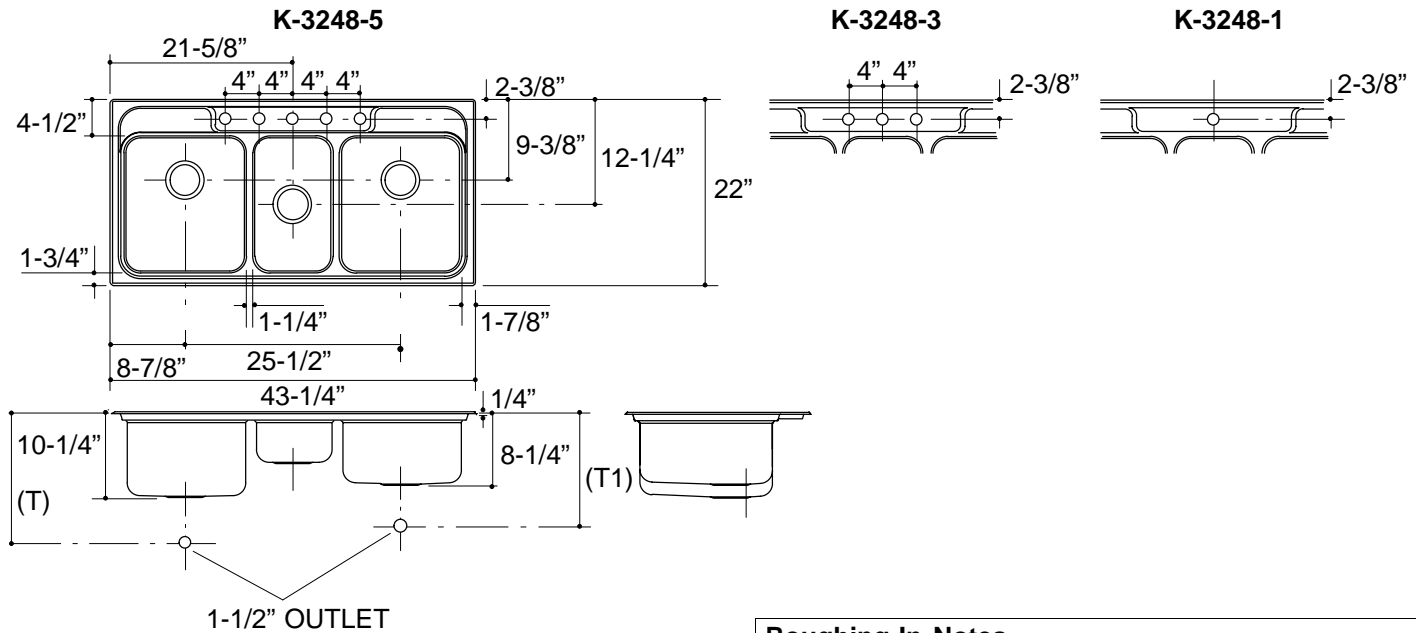
#### PRODUCT SPECIFICATION:

The self-rimming sink shall be 43-1/4" in length, and 22" in width. Sink shall be made of 18 gauge stainless steel. Sink shall be triple compartment with two equal basins and smaller center disposal basin. Sink shall be 3-hole (K-3248-3), 5-hole (K-3248-5), or single-hole (K-3248-1) faucet punched. Sink shall include installation hardware. Sink shall be Kohler Model K-3248-\_\_\_\_\_-\_\_\_\_\_.

# BALLAD

## PRODUCT INFORMATION

Fixture*:		basin area	water depth
Sink, left		14" x 16"	9-1/4"
Disposal		9" x 16"	5-1/4"
Sink, right		14" x 16"	7-1/4"
Outlet	3-5/8" D.		
Faucet holes	1-7/16" D.		
* Approximate measurements for comparison only.			
Included Components:			
Fastener pack		90208	



### Roughing-In Notes

(T) Drain typically 15-9/16".

(T1) Drain typically 13-9/16".

Cutout 42-3/4" x 21-1/2" with 1/2" radius corners.

.9<116

## PRODUCT DIAGRAM