

COUNTERTOP LAVATORY K-2917

ADA

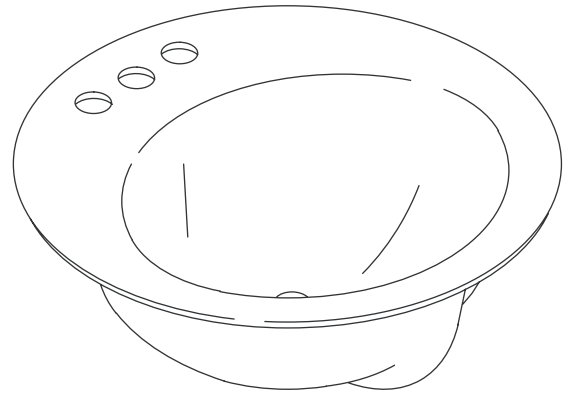
Features

- Cast iron
- With overflow
- ADA compliant
- Optional soap dispenser hole on left (-L) or right (-R)
- 8" (20.3 cm) centers (-8), 4" (10.2 cm) centers (-4), or single-hole (-1)
- 19" (48.3 cm) diameter

Codes/Standards Applicable

Specified model meets or exceeds the following:

- ADA
- ASME A112.19.2
- CABO/ANSI A117.1
- IAPMO/UPC
- Listed in State of Massachusetts



Colors/Finishes

- 0: White
- Other: Refer to Price Book for additional colors/finishes

Accessories:

- CP: Polished Chrome

Specified Model

Model	Description	Colors/Finishes	
K-2917-8	8" (20.3 cm) centers lavatory less soap dispenser hole	<input type="checkbox"/> 0 White	<input type="checkbox"/> Other_____
K-2917-4	4" (10.2 cm) centers lavatory less soap dispenser hole	<input type="checkbox"/> 0 White	<input type="checkbox"/> Other_____
K-2917-4L	4" (10.2 cm) centers lavatory with soap dispenser hole on left	<input type="checkbox"/> 0 White	<input type="checkbox"/> Other_____
K-2917-4R	4" (10.2 cm) centers lavatory with soap dispenser hole on right	<input type="checkbox"/> 0 White	<input type="checkbox"/> Other_____
K-2917-1	Single hole lavatory less soap dispenser hole	<input type="checkbox"/> 0 White	<input type="checkbox"/> Other_____
K-2917-1L	Single hole lavatory with soap dispenser hole on left	<input type="checkbox"/> 0 White	<input type="checkbox"/> Other_____
K-2917-1R	Single hole lavatory with soap dispenser hole on right	<input type="checkbox"/> 0 White	<input type="checkbox"/> Other_____
Recommended Accessory			
K-8998	P-Trap	<input type="checkbox"/> CP	

Product Specification

The countertop lavatory shall be 19" (48.3 cm) in diameter. Lavatory shall be made of cast iron. Lavatory shall have 8" (20.3 cm) centers (K-2917-8), 4" (10.2 cm) centers (K-2917-4), or single-hole (K-2917-1) drilling. Lavatory shall have overflow. Lavatory shall be ADA compliant. Lavatory shall have optional soap dispenser hole on left (-L) or right (-R). Lavatory shall be Kohler Model K-2917-_____-_____.

RADIANT™

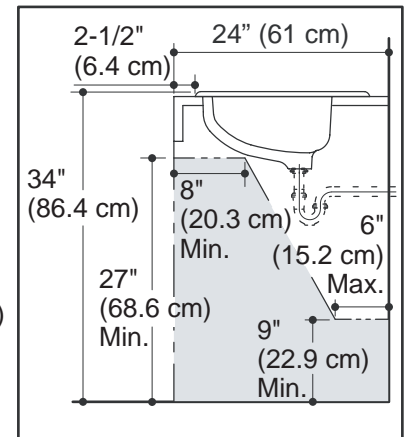
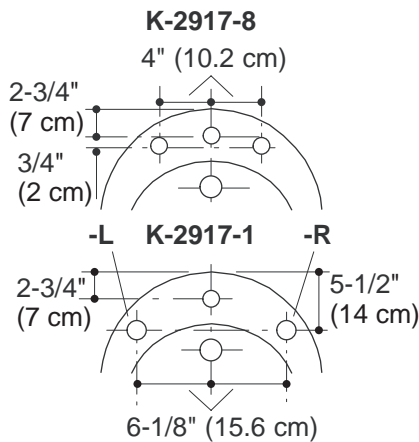
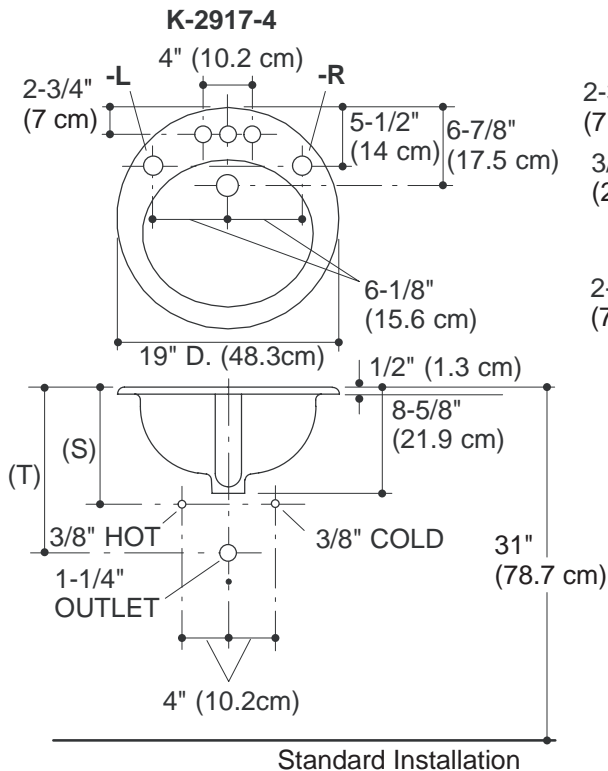
Technical Information

ADA compliant			
Mexico products have an M after the first sequence of numbers (such as K-12345 M)			
Fixture:*		basin area	water depth
Lavatory		14" (35.6 cm) x 12" (30.5 cm)	5" (12.7 cm)
Drain hole	1-11/16" D. (4.3 cm)		
* Approximate measurements for comparison only.			
Holes	K-2917-8	K-2917-4	K-2917-1
Spout	1-1/8" D. (2.9 cm)	1-1/8" D. (2.9 cm)	1-3/8" D. (3.5 cm)
Faucet	1-3/8" D. (3.5 cm)	1-3/16" D. (3.3 cm)	
Soap dispenser		1-1/4" D. (3.2 cm)	
Included Components:			
Overflow ferrule		84896	
Cut out template		101082-7	

Installation Notes

Install this product according to the installation guide.

NOTICE: Countertop manufacturer or cutter **must** use the cutout template provided with the product, or a current one provided by Kohler Co. (call 1-800-4-KOHLER). Kohler Co. is not responsible for cutout errors when the incorrect cutout template is used.



Recommended ADA Installation

(T) Pop-up drain 14-3/16" (36 cm), grid drain 13-5/16" (33.8 cm).

Supply (Based on 12" riser which may require cutting).	K-2917-4 K-2917-1	K-2917-8
(S)	10" (25.4 cm)	14" (35.6 cm)

Product Diagram