

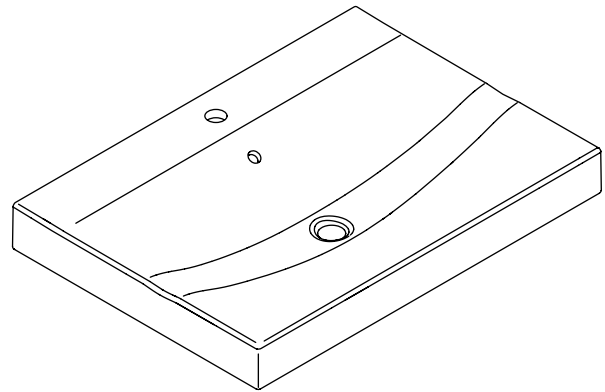
Features

- Fireclay
- With or without overflow
- 8" (20.3 cm) centers (-8), 4" (10.2 cm) centers (-4), or single-hole (-1)
- Installation to standard 30" (76.2 cm) vanity
- 30-7/16" (77.3 cm) x 21-7/8" (55.6 cm)

Codes/Standards Applicable

Specified model meets or exceeds the following:

- ASME A112.19.2/CSA B45.1



Colors/Finishes

- 0: White
- Other: Refer to Price Book for additional colors/finishes

Accessories

- CP: Polished Chrome
- Other: Refer to Price Book for additional colors/finishes

Specified Model

Model	Description	Colors/Finishes	
K-2953-1	Lavatory – single-hole (shown)	<input type="checkbox"/> 0	<input type="checkbox"/> Other _____
K-2953-4	Lavatory – 4" (10.2 cm) centers	<input type="checkbox"/> 0	<input type="checkbox"/> Other _____
K-2953-8	Lavatory – 8" (20.3 cm) centers	<input type="checkbox"/> 0	<input type="checkbox"/> Other _____
K-2953-1N	Lavatory – single-hole without overflow	<input type="checkbox"/> 0	<input type="checkbox"/> Other _____
K-2953-4N	Lavatory – 4" (10.2 cm) centers without overflow	<input type="checkbox"/> 0	<input type="checkbox"/> Other _____
K-2953-8N	Lavatory – 8" (20.3 cm) centers without overflow	<input type="checkbox"/> 0	<input type="checkbox"/> Other _____

Included Accessories

K-4062	Overflow cap for K-2953-1, K-2953-4, and K-2953-8	<input type="checkbox"/> CP	<input type="checkbox"/> Other _____
--------	---	-----------------------------	--------------------------------------

Recommended Accessories

K-8998	P-Trap	<input type="checkbox"/> CP	<input type="checkbox"/> Other _____
--------	--------	-----------------------------	--------------------------------------

Product Specification

The fireclay lavatory shall be 30-7/16" (77.3 cm) in length and 21-7/8" (55.6 cm) in width. Lavatory shall be installed to standard 30" (76.2 cm) vanity. Lavatory shall have single-hole (K-2953-1 with overflow and K-2953-1N without overflow), 4" (10.2 cm) centers (K-2953-4 with overflow and K-2953-4N without overflow), 8" (20.3 cm) centers (K-2953-8 with overflow and K-2953-8N without overflow). Lavatory shall be Kohler Model K-2953-_____.

STRELA™

Technical Information

Fixture*:			
Basin area	29-15/16" (76 cm) x 17-1/8" (43.5 cm)		
Water depth	2" (5.1 cm) with overflow 2-7/8" (7.3 cm) without overflow		
Drain hole	1-3/4" (4.4 cm) D.		
* Approximate measurements for comparison only.			
Holes	K-2953-1 K-2953-1N	K-2953-4 K-2953-4N	K-2953-8 K-2953-8N
Spout	1-3/8" (3.5 cm) D.	1-1/4" (3.2 cm) D.	1-3/8" (3.5 cm) D.
Faucet		1-1/4" (3.2 cm) D.	1-3/8" (3.5 cm) D.
Included component:			
Cut-out template			1115041-7
Overflow cap for K-2953-1, K-2953-4, and K-2953-8			K-4062-CP

Installation Notes

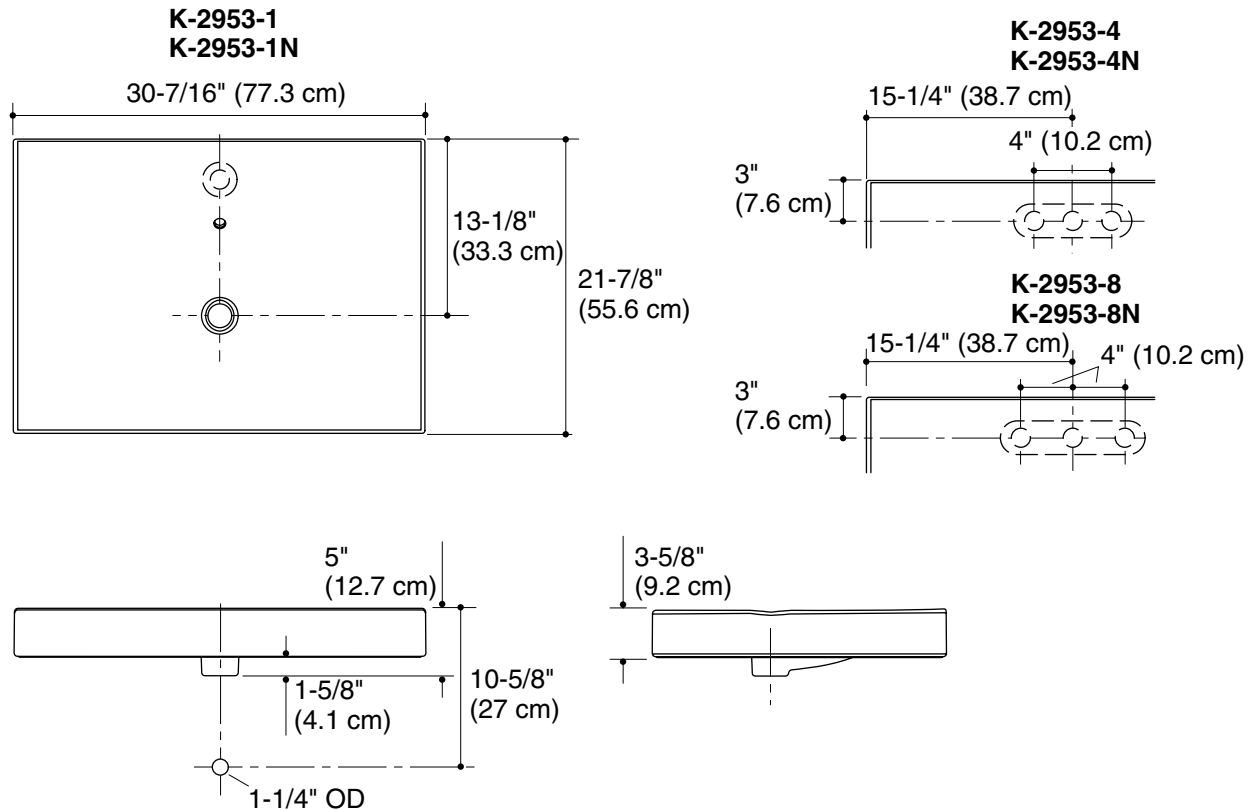
Install this product according to the installation guide.

IMPORTANT! Product rests on a countertop. Consider height of product when designing installation.

Choose a faucet that will provide adequate clearance and will direct the water stream to the center of the lavatory.

When installing a pop-up drain to this lavatory, it may be necessary to bend the drain linkage to allow proper reach to the faucet lift rod.

NOTICE: The countertop manufacturer or cutter **must** use the cut-out template provided with the product, or a current one provided by the Kohler Co. (Call 1-800-4-KOHLER.) Kohler Co. is not responsible for cut-out errors when the incorrect cut-out template is used.



Product Diagram