



Hampton™

Wall-mount Bathroom Sink

K-2703-EH

Features

- KOHLER® Cast Iron.
- Wall-mount.
- Rectangular basin with shelf-back.
- With overflow.
- Designed for high-volume usage in a commercial setting.
- 22" (556 mm) x 19" (483 mm)

Recommended Accessories

K-8040-2A Shelf-back Bathroom Sink Faucet

Components

Additional included component/s: Hanger, and overflow ferrule.



ADA

Codes/Standards

ASME A112.19.1/CSA B45.2

ADA

ICC/ANSI A117.1

KOHLER® Lifetime Limited Warranty for Cast Iron Components

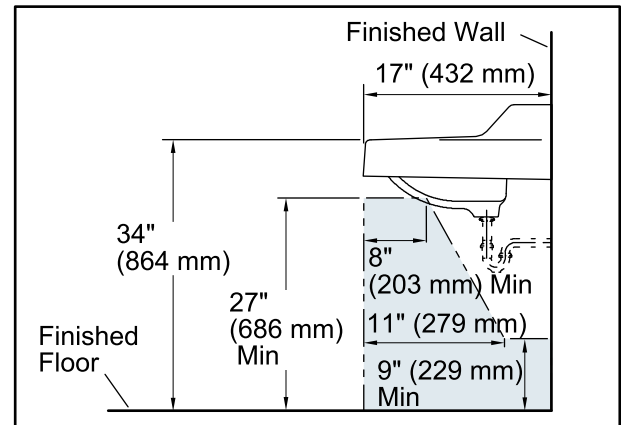
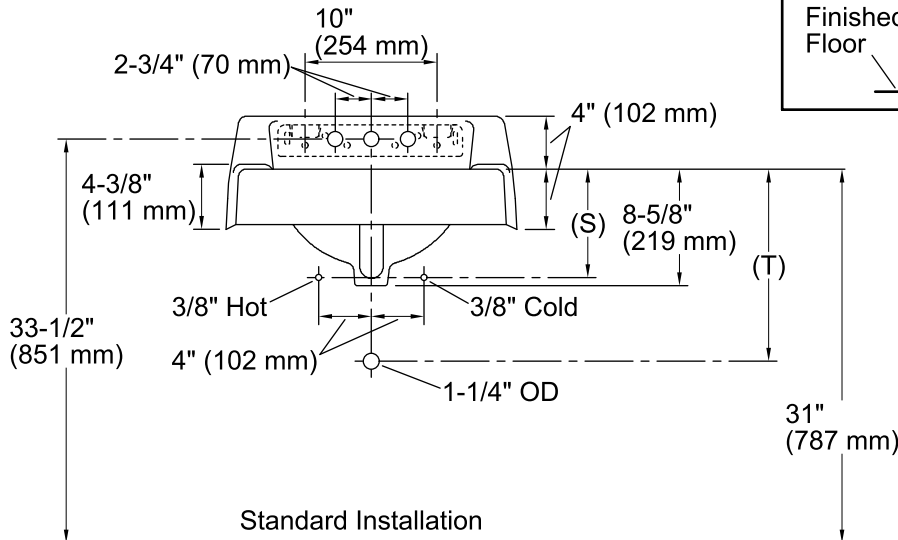
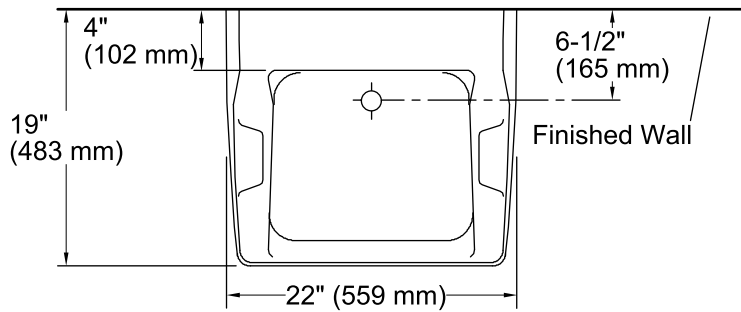
See website for detailed warranty information.

Available Color/Finishes

Color tiles intended for reference only.

Color	Code	Description
-------	------	-------------

	0	White
--	---	-------



Recommended ADA Installation

(T) Pop-up drain 14-1/4" (362 mm),
drain 13-3/8" (340 mm)
(S) 8" (203 mm) (Based on 12" (305 mm)
riser which may require cutting).

Technical Information

All product dimensions are nominal.

Bowl configuration:	Single
Installation:	Wall-mount
Bowl area	Length: 15" (381 mm) Width: 14" (356 mm) Water depth: 5-1/8" (130 mm)
Number of deck holes:	3
Faucet hole(s):	1-3/16" (30 mm)
Drain hole:	1-11/16" (43 mm)

Notes

Install this product according to the installation instructions.

ADA compliant when installed to the specific requirements of these regulations.