

### Features

- For use with Antique bath and shower faucets K-T130-3D, K-T130-4D, K-T130-9B, K-T132-3D, K-T132-4D, K-T132-9B, K-T134-3D, and K-T134-4D.
- Includes one handle inset and one dial plate in White.
- Inset: 3-1/16" (78 mm) x 1-7/16" (37 mm) x 1-2" (13 mm)
- Dial Plate: 7-3/8" (187 mm) x 1-1/8" (29mm)

### Material

- Ceramic construction.

### Installation

- Wall-mount.

### Required Accessories

- K-T130-3D
- or
- K-T130-4D
- or
- K-T130-9B
- or
- K-T132-3D
- or
- K-T132-4D
- or
- K-T132-9B
- or
- K-T134-3D
- or
- K-T134-4D

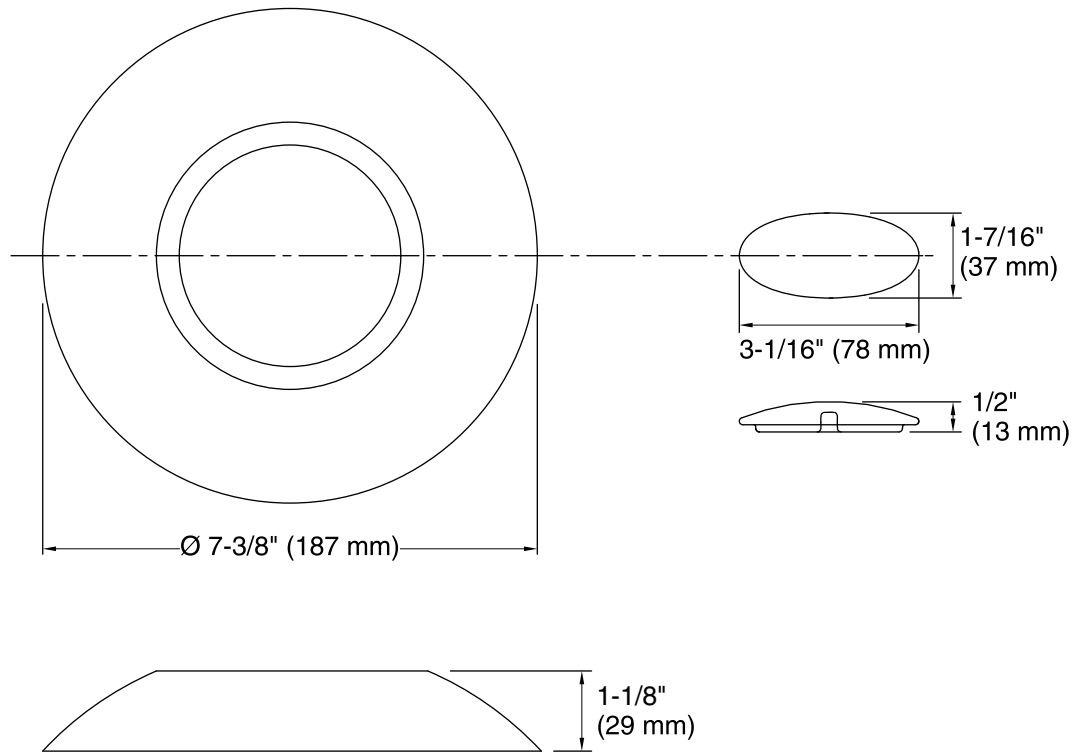


### Codes/Standards

None Applicable

### KOHLER® Faucet Lifetime Limited Warranty

See website for detailed warranty information.



### Technical Information

All product dimensions are nominal.

### Notes

Install this product according to the installation guide.