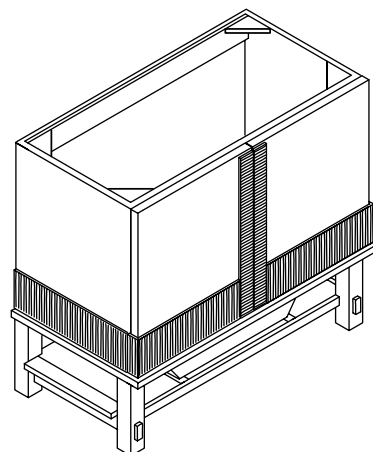


Features

- Mahogany and bamboo solids and veneers
- Catalyzed polyurethane finish
- Slow-close drawer(s) and slow-close adjustable door(s)
- Available in various widths
- 21-3/8" (54.3 cm) depth, and 33-1/2" (85.1 cm) height

VANITY
K-2459
 ALSO K-2469, K-2472



Codes/Standards Applicable

Specified model meets or exceeds the following:

- None applicable

Colors/Finishes

- F10: Burnet

Specified Model

Model	Description	Colors/Finishes
K-2459	Vanity, 36" (91.4 cm) width	<input type="checkbox"/> F10
K-2469	Vanity, 30" (76.2 cm) width	<input type="checkbox"/> F10
K-2472	Vanity, 42" (106.7 cm) width	<input type="checkbox"/> F10

Recommended Basin*

K-3049	Iron/Impressions™ 31" (78.7 cm) cast iron integrated top and basin	<input type="checkbox"/> 0	<input type="checkbox"/> Other
K-3051	Iron/Impressions™ 37" (94 cm) cast iron integrated top and basin	<input type="checkbox"/> 0	<input type="checkbox"/> Other
K-3052	Iron/Impressions™ 43" (109.2 cm) cast iron integrated top and basin	<input type="checkbox"/> 0	<input type="checkbox"/> Other

*Specify 4" (10.2 cm) centers (-4), 8" (20.3 cm) (-8) centers, or single-hole (-1) faucet when ordering.

Recommended Accessory

K-2460	Mirror, 24" (61 cm) x 36" (91.4 cm)	<input type="checkbox"/> F10
--------	-------------------------------------	------------------------------

Product Specification

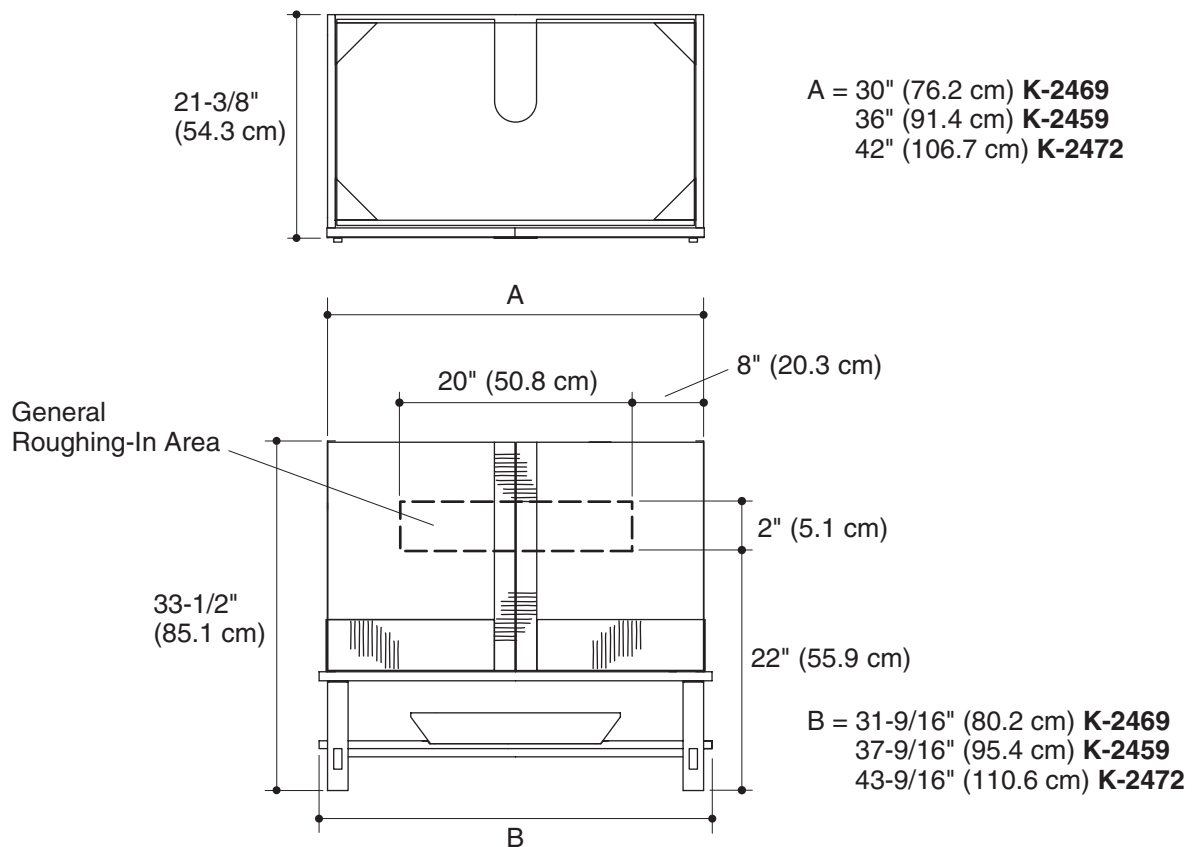
The vanity shall be 21-3/8" (54.3 cm) in depth, and 33-1/2" (85.1 cm) in height. Vanity shall be available in various widths. Vanity shall be made of mahogany and bamboo solids and veneers. Vanity shall have catalyzed polyurethane finish. Vanity shall include slow-close adjustable drawer(s) and slow-close door(s). Vanity shall be Kohler Model K-____-____.

MERSING™

Installation Notes

Install this product according to the installation guide.

Decorative cabinet hardware is supplied. Refer to the Kohler bath accessories line for additional decorative cabinet hardware to complement your vanity.



Product Diagram