

KOHLER® Roughing-In

K-2355 ARCHER™ UNDERCOUNTER LAVATORY

Product Information

Applicable product:	
Undercounter lavatory	K-2355
Lavatory is ADA compliant when installed per the requirements of the Accessibility Guidelines, Section 606 Lavatories and Mirrors, of the Act.	ADA
Recommended accessory:	
Adjustable P-Trap	K-8998
Included components:	
Basin clamp assembly	52047
Cut-out template	1051937-7
Fixture*:	
Basin area	17-5/8" (44.8 cm) x 13" (33 cm)
Water depth	3-3/4" (9.5 cm)
Drain hole	1-3/4" (4.4 cm) D.
* Approximate measurements for comparison only.	

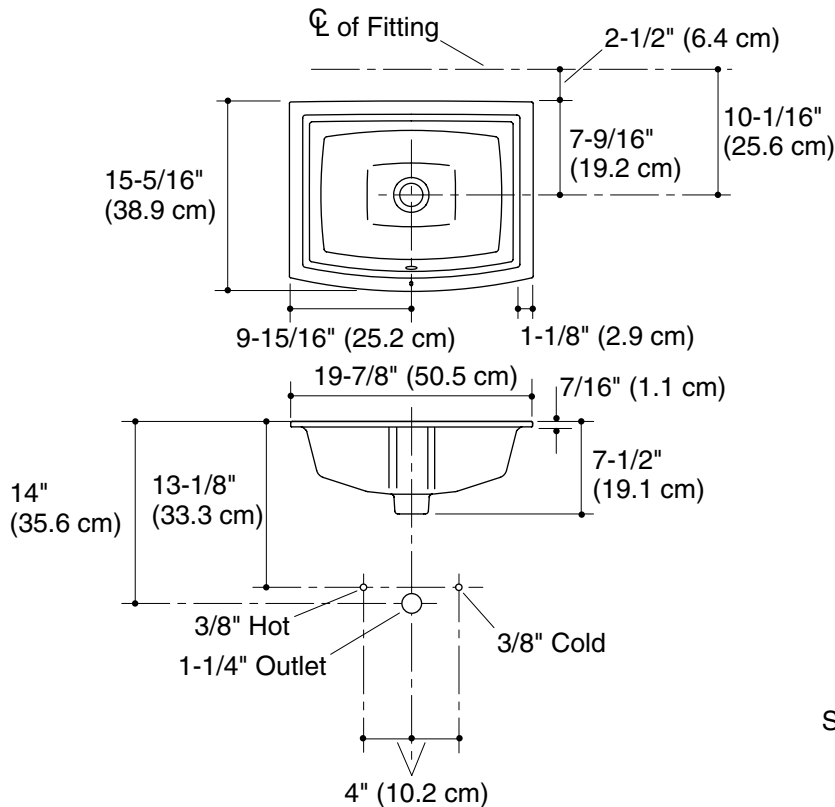
Installation Notes

Install this product according to the installation guide.

Supplied basin clamp assemblies require 1" (2.5 cm) minimum countertop thickness. Installer must supply anchors for thinner countertops.

NOTICE: Countertop manufacturer or cutter must use the cut-out template provided with the product, or a current one provided by Kohler (call 1-800-4-KOHLER). Kohler is not responsible for cut-out errors when incorrect cut-out template is used.

Fixture conforms to ASME Standard A112.19.2/CSA B45.1. All dimensions are nominal.



Standard Installation

