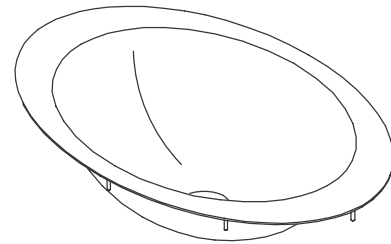


FEATURES

- 23-1/8" (58.7cm) x 15-1/4" (38.7cm)
- *Stainless Steel*
- *Self-Rimming*
- *Satin finish with Hushcoat undercoat (-S)*
- *Mirror finish with Hushcoat undercoat (-M)*
- *Herringbone finish with Hushcoat undercoat (-C)*
- *Mottled finish with Hushcoat undercoat (-D)*
- *Crosschecked finish with Hushcoat undercoat (-E)*
- *20 gauge stainless steel*
- *Installation hardware included*
- *No overflow, PVC tube and drain gasket included to cover overflow hole in faucet drain assembly*
- *With sealant*



CODES/STANDARDS APPLICABLE

Specified model meets or exceeds the following:

- *ASME/ANSI A112.19.3M*
- *Canadian Standards Association (CSA)*

COLORS/FINISHES

- NA Not Applicable

Accessories:

- CP Polished Chrome
- Other Refer to Faucets Price Book for additional finishes

SPECIFIED MODEL:

Model	Description	Colors/Finishes
K-2603-S	Satin finish with hushcoat undercoat lavatory	<input type="checkbox"/> NA
K-2603-M	Mirror finish with hushcoat undercoat lavatory	<input type="checkbox"/> NA
K-2603-C	Herringbone finish rim	<input type="checkbox"/> NA
K-2603-D	Mottled finish basin, mirror finish rim with hushcoat undercoat lavatory	<input type="checkbox"/> NA
K-2603-E	Crosschecked finish basin, mirror finish rim with hushcoat undercoat lavatory	<input type="checkbox"/> NA

Recommended Accessories			
K-8998	Trap	<input type="checkbox"/> CP	<input type="checkbox"/> Other _____

PRODUCT SPECIFICATION:

The oval lavatory shall be 23-1/8" (58.7cm) in length, and 15-1/4" (38.7cm) in width. Lavatory shall be made of 20 gauge stainless steel. Lavatory shall be self-rimming installation. Lavatory shall have satin finish with Hushcoat undercoat (-S), mirror finish with Hushcoat undercoat (-M), herringbone finish with Hushcoat undercoat (-C), mottled finish with Hushcoat undercoat (-D), or crosschecked finish with Hushcoat undercoat (-E). Lavatory shall include installation hardware. Lavatory shall have PVC tube and drain gasket to cover overflow hole in faucet drain assembly and include sealant. Undercounter shall be Kohler Model K-2603-_____-_____.

PRODUCT INFORMATION

Fixture*:		basin area	water depth
Lavatory		18" (45.7cm) x 13" (33cm)	5-7/8" (14.9cm)
Drain hole	1-5/8" D. (4.1cm)		

* Approximate measurements for comparison only.

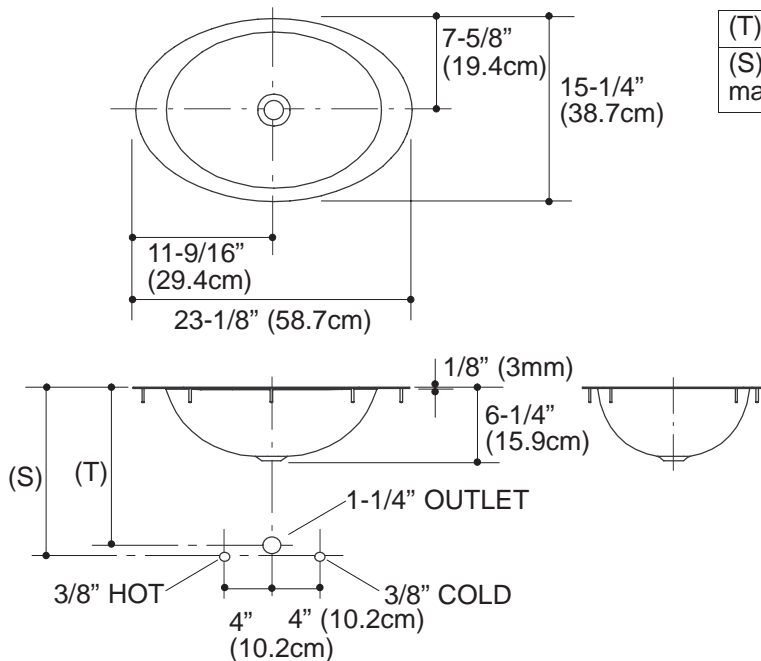
Included Components:	
Adhesive sealant	63034
Drain gasket	33507
Tube	62603
Basin clamp assembly	56655
Cutout template	1006417-7

INSTALLATION NOTES

Install this product according to the installation guide.

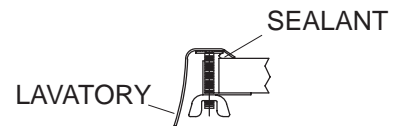
Supplied basin clamp assembly requires 3/4" (1.9cm) minimum countertop thickness. Installer must supply anchors for thinner countertops.

NOTICE: Countertop manufacturer or cutter **must** use the cut-out template provided with the product, or a current one provided by Kohler Co. (call 1-800-43-FOCUS). Kohler Co. is not responsible for cut-out errors when the incorrect cut-out template is used.



(T) Pop-up drain 13-1/8" (33.3cm).

(S) 14" (36.2cm) (Based on 12" (30.5cm) riser which may require cutting).



PRODUCT DIAGRAM