



## Features

- Glass
- Without overflow
- Above-the-counter installation
- 19" (48.3 cm) diameter

## VESSELS LAVATORY

# K-2367

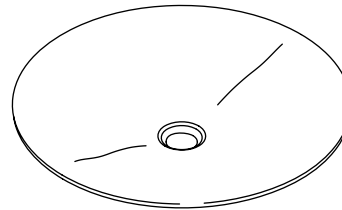
ALSO K-2368

ADA	CSA B651	OBC
-----	----------	-----

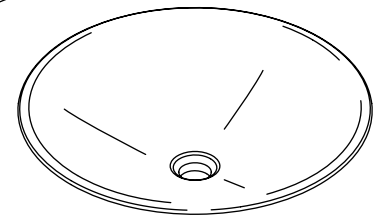
## Codes/Standards Applicable

Specified model meets or exceeds the following:

- ADA
- ICC/ANSI A117.1
- CSA B651
- OBC
- CSA B45
- CSA B45.11
- IAPMO IGC 172



K-2367



K-2368

## Colors/Finishes

- B11: Ice™

## Accessories

- CP: Polished Chrome
- Other: Refer to Price Book for additional colors/finishes

## Specified Model

Model	Description	Colors/Finishes
K-2367	Lavinia® lavatory	<input type="checkbox"/> B11
K-2368	Facet® lavatory	<input type="checkbox"/> B11

Required Accessories			
K-7107	Decorative drain <b>OR</b>	<input type="checkbox"/> CP	<input type="checkbox"/> Other_____
K-7108	Decorative drain <b>OR</b>	<input type="checkbox"/> CP	<input type="checkbox"/> Other_____
K-7129	Grid drain	<input type="checkbox"/> CP	<input type="checkbox"/> Other_____

## Product Specification

The vessels lavatory shall be made of glass. Lavatory shall be 19" (48.3 cm) in diameter. Lavatory shall be for above-the-counter installation. Lavatory shall be without overflow. Lavatory shall be Kohler Model K-\_\_\_\_-\_\_\_\_.

## Technical Information

Fixture*:		
Lavatory	<b>K-2367</b>	<b>K-2368</b>
Basin area	18-7-8" (47.9 cm) D.	18" (45.7 cm) D.
Water depth	1-13/16" (4.6 cm)	2-7/8" (7.3 cm)
Drain hole	1-5/8" (4.1 cm) D.	1-5/8" (4.1 cm) D.
* Approximate measurements for comparison only.		
Included components:		
Drain gasket kit	1070246	

## Installation Notes

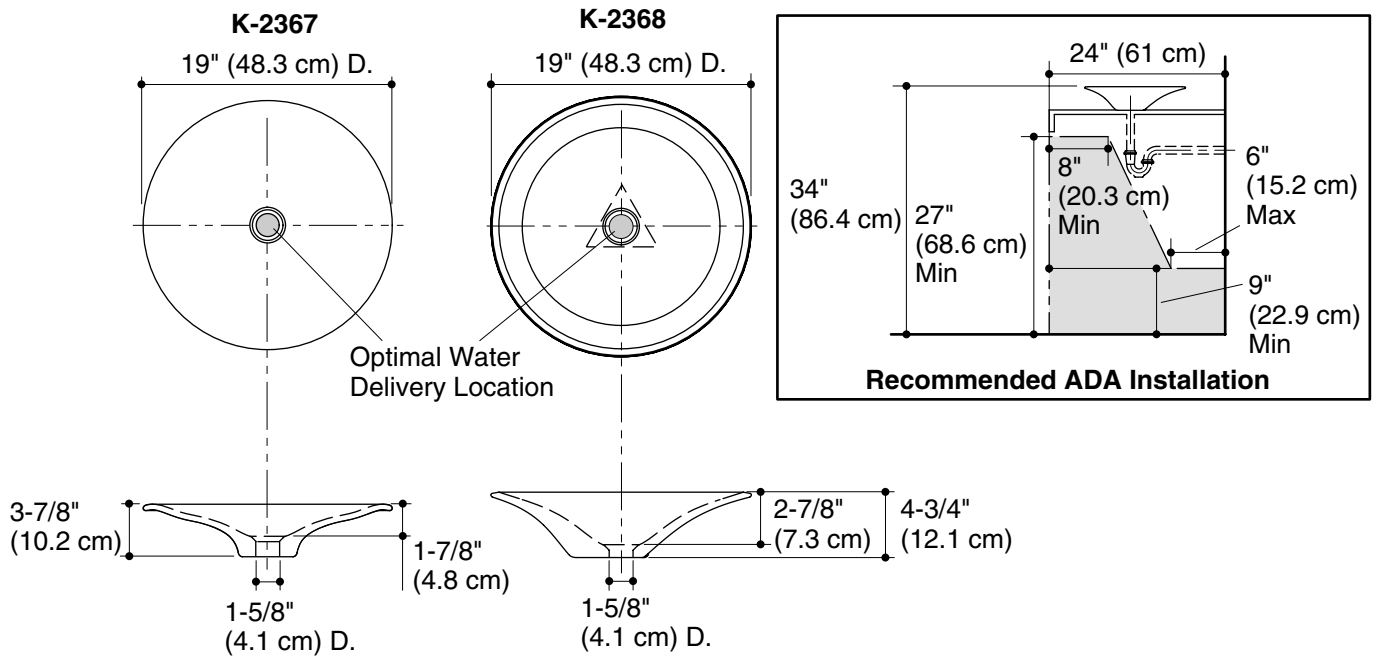
Install this product according to the installation guide.

Product does not have an overflow.

Will comply with **ADA** when installed per Section 606 Lavatories of the Act.

Will comply with **CSA B651** when installed per Clause 4.3.3 of the standard.

Will comply with **OBC** when installed per Clause 3.8.3.11.



## Product Diagram