



**Conical Bell®**  
16-1/4" round vessel bathroom sink, no overflow  
**K-2200**

**Features**

- No faucet holes; requires wall- or counter-mount faucet

**Material**

- Vitreous china

**Installation**

- Vessel



**ADA** **CSA B651**

**Codes/Standards**

ASME A112.19.2/CSA B45.1

ADA

ICC/ANSI A117.1

CSA B651

IAPMO Certification

**KOHLER® Vitreous China Bathroom Sink Lifetime Limited Warranty**

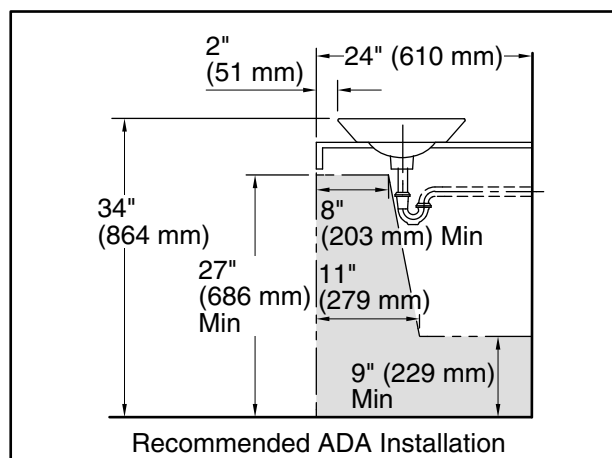
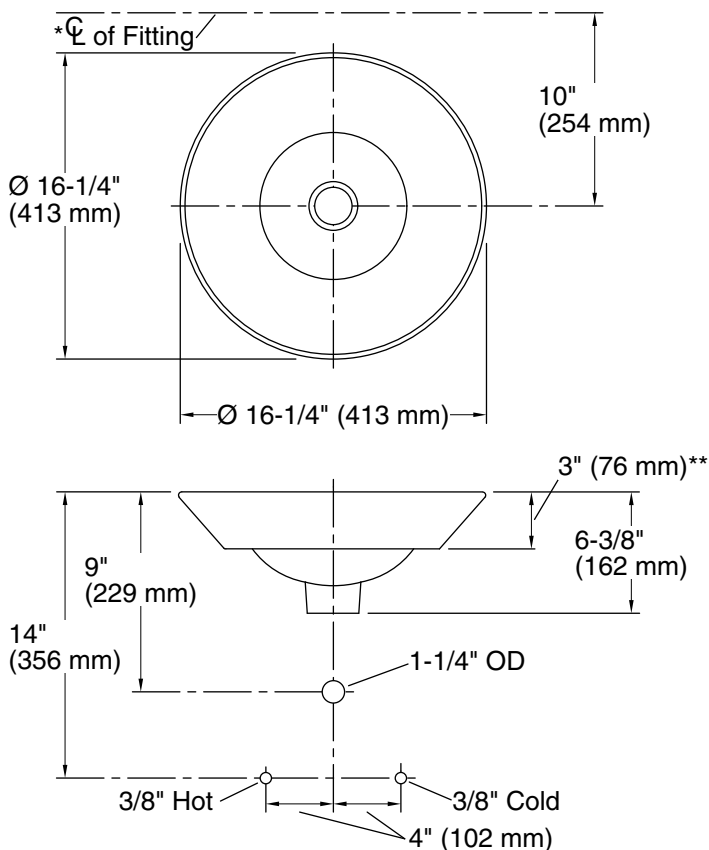
See website for detailed warranty information.

**Available Colors/Finishes**

*Color tiles intended for reference only.*

**Color Code Description**

	HV	Bouclé™ Tweed
---	----	---------------



### Technical Information

All product dimensions are nominal.

Basin configuration:	Single Bowl
Bowl area (Only):	Length: 15-5/16" (389 mm) Width: 15-5/16" (389 mm) Bowl depth: 4-3/8" (111 mm) Water depth: 4-1/4" (108 mm)
With overflow:	No
Drain hole:	1-3/4" (44 mm)
Template:	1002980-7, required, included

### Notes

Install this product according to the installation instructions.

Product does not have an overflow.

\*Spout must be 5" (127 mm) long (min) for adequate clearance into the bathroom sink when installed with centerline as shown.

NOTICE: Countertop manufacturer or cutter must use the cut-out template provided with the product, or a current one provided by Kohler Co. (call 1-800-4-KOHLER). Kohler Co. is not responsible for cutout errors when the incorrect cut-out template is used.

ADA, CSA B651 compliant when installed to the specific requirements of these regulations.