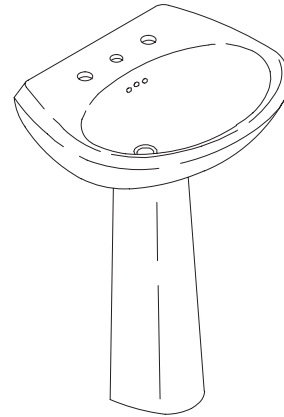


### PEDESTAL LAVATORY

# K-2081

#### FEATURES

- 24" (61cm) x 19" (48.3cm) x 32-1/4" (81.9cm)
- Vitreous china
- Pedestal lavatory
- 4" (10.2cm) centers (K-2081-4), 8" (20.3cm) centers (K-2081-8) or single-hole (K-2081-1) drilling
- With overflow



#### CODES/STANDARDS APPLICABLE

Specified model meets or exceeds the following:

- ASME/ANSI A112.19.2M
- Canadian Standards Association (CSA)
- State of Massachusetts

#### COLORS/FINISHES

- 0 White
- Other Refer to Fixtures Price Book for additional colors

#### Accessories:

- CP Polished Chrome
- Other Refer to Faucets Price Book for additional finishes

#### SPECIFIED MODEL:

Model	Description	Colors/Finishes	
K-2071	4" (10.2cm) centers lavatory	<input type="checkbox"/> 0 White	<input type="checkbox"/> Other_____
K-2081-8	8" (20.3cm) centers lavatory	<input type="checkbox"/> 0 White	<input type="checkbox"/> Other_____
K-2081-1	Single-hole lavatory	<input type="checkbox"/> 0 White	<input type="checkbox"/> Other_____

Recommended Accessories			
K-7605-P	Lavatory supplies 3/8" (1cm) (pair)	<input type="checkbox"/> CP	<input type="checkbox"/> Other_____
K-8998	Trap	<input type="checkbox"/> CP	<input type="checkbox"/> Other_____

#### PRODUCT SPECIFICATION:

The pedestal lavatory shall be 24" (61cm) in length, 19" (48.3cm) in width, and 32-1/4" (81.9cm) in height. Pedestal lavatory shall be made of vitreous china. Pedestal lavatory shall have 4" (10.2cm) centers (K-2081-4), 8" (20.3cm) centers (K-2081-8), or single-hole (K-2081-1) drilling. Pedestal lavatory shall have overflow. Pedestal lavatory shall be Kohler Model K-2081-\_\_\_\_\_-\_\_\_\_\_.

## PRODUCT INFORMATION

Fixture*:		basin area	water depth
Lavatory		22" (55.9cm) x 13" (33cm)	5" (12.7cm)
Drain hole	1-3/4" D. (4.4cm)		
* Approximate measurements for comparison only.			

Holes	K-2081-4	K-2081-8	K-2081-1
Spout	1-1/4 D. (3.2cm)	1-3/8" D. (3.5cm)	1-3/8" D. (3.5cm)
Faucet	1-1/4 D. (3.2cm)	1-3/8" D. (3.5cm)	

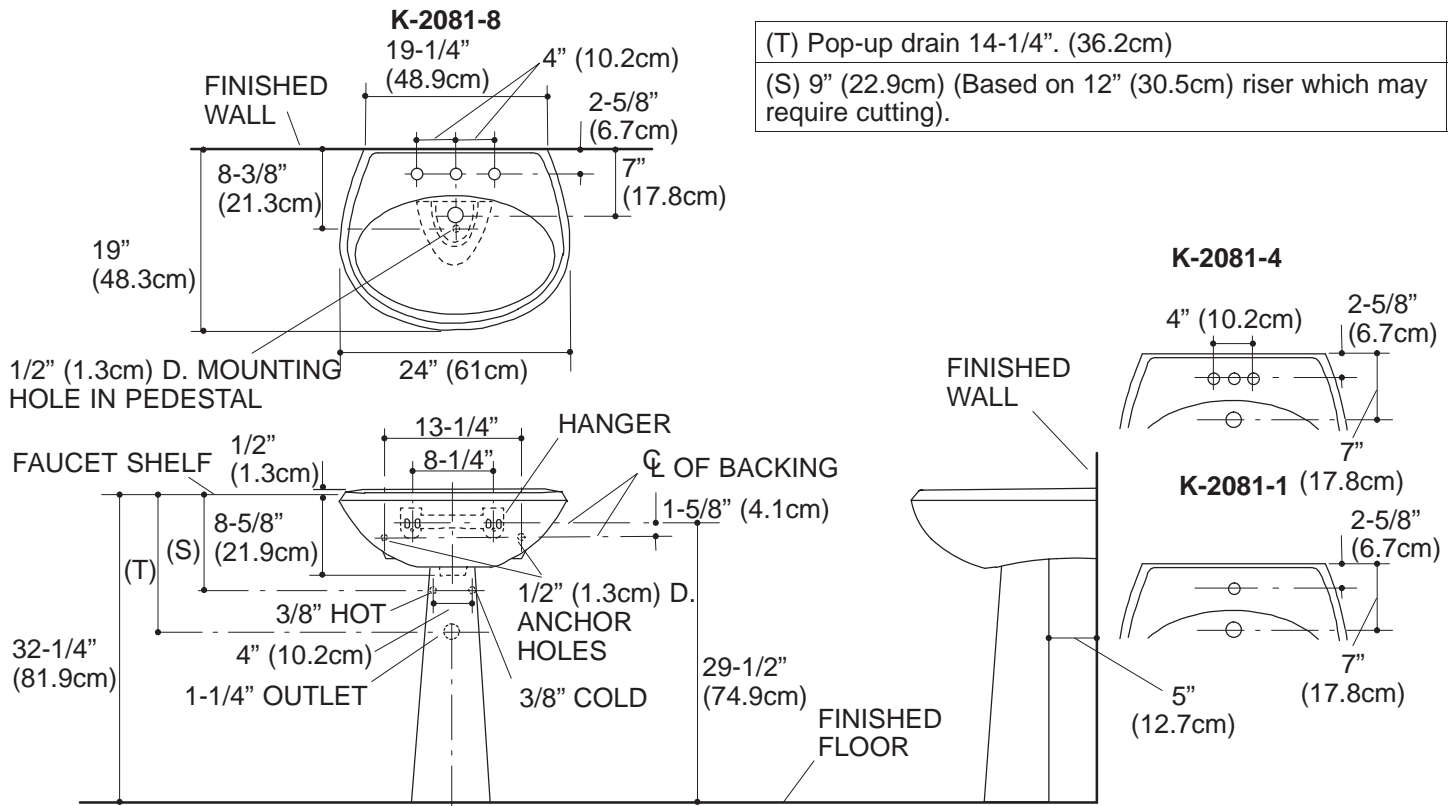
## PRODUCT INFORMATION

Included Components:	
Lavatory basin, 4" centers	K-2138-4
Lavatory basin, 8" centers	K-2138-8
Lavatory basin, single-hole	K-2138-1
Pedestal	K-2142
Hanger	64839
Rubber pads	63069

## INSTALLATION NOTES

Install this product according to the installation guide.

Fixture dimensions are nominal and conform to tolerances in ASME Standard A112.19.2M.



## PRODUCT DIAGRAM