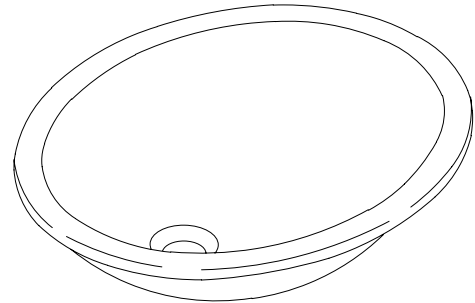


#### FEATURES

- 19" x 15"
- Vitreous china
- With overflow
- Glazed rim for mounting with metal frame
- ADA compliant



#### CODES/STANDARDS APPLICABLE

Specified model meets or exceeds the following:

- ADA
- ASME/ANSI A112.19.2M
- CABO/ANSI A117.1
- IAPMO/UPC
- Canadian Standards Association (CSA)
- State of Massachusetts

#### COLORS/FINISHES

- 0 White
- Other Refer to Fixtures Price Book for additional colors

#### Accessories:

- CP Polished Chrome
- Other Refer to Faucets Price Book for additional finishes
- NA None Applicable

#### SPECIFIED MODEL:

Model	Description	Colors/Finishes	
K-2213	19" x 15" lavatory	<input type="checkbox"/> 0 White	<input type="checkbox"/> Other_____

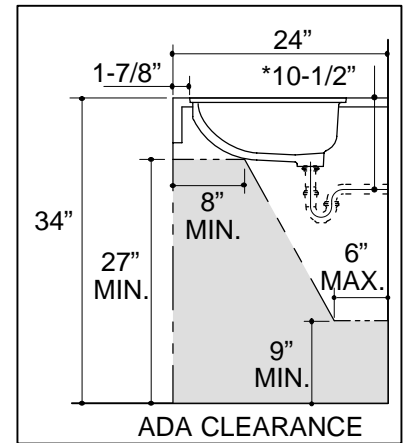
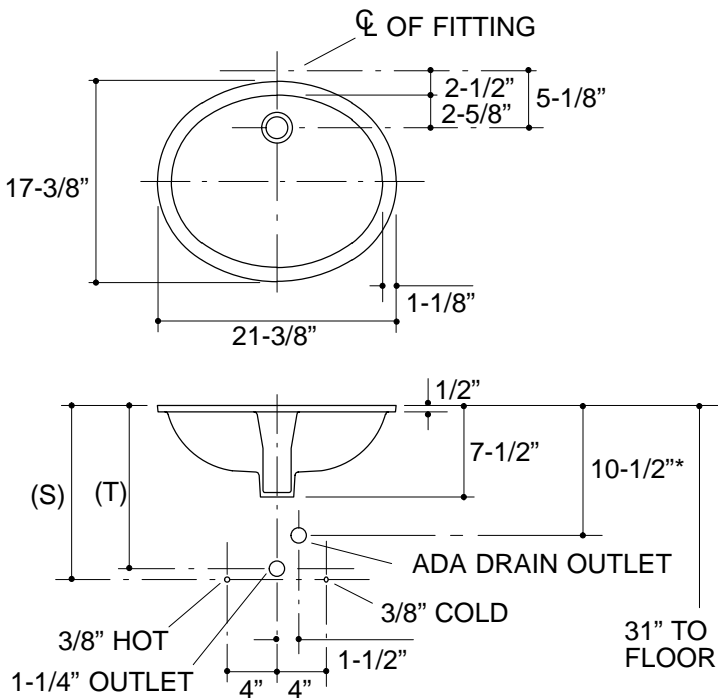
Recommended Accessories			
K-8998	Trap	<input type="checkbox"/> CP	<input type="checkbox"/> Other_____
K-6681	Metal frame		<input type="checkbox"/> NA

#### PRODUCT SPECIFICATION:

The lavatory shall be 19" in length, and 15" in width. Lavatory shall be made of vitreous china. Lavatory shall have overflow. Lavatory shall have glazed rim for mounting with metal frame. Lavatory shall be ADA compliant. Lavatory shall be Kohler Model K-2213-\_\_\_\_\_.

## PRODUCT INFORMATION

ADA compliant.			
Fixture*:		basin area	water depth
Lavatory		19" x 15"	4"
Outlet	1-3/4" D.		
* Approximate measurements for comparison only.			



Roughing-In Notes	
*Based on K-8998 with 1" of tailpiece exposed.	
(T) Pop-up drain typically 13-1/8", drain typically 12-1/4".	
(S) 14" (Based on 12" riser which may require cutting).	
Cutout	metal frame required.

.9<116

## PRODUCT DIAGRAM