



# Underscore®

## 4' Cube BubbleMassage™ Bath

### K-1969-G



#### Features

- Center drain.
- Spacious shape and extra deep bathing well accommodate up to two bathers.
- Two integral corner seats at 6-3/4" (171 mm) and 11-7/8" (302 mm) from bath floor.
- Integral lumbar support.
- 48" (1219 mm) x 48" (1219 mm) x 34" (864 mm)

#### Material

- Acrylic

#### Hydrotherapy

- 122 BubbleMassage™ airjets. 18 levels of massage intensity.
- Zones of Control feature allows you to target massage to back, midsection, or feet.
- Automatic purge cycles remove residual water from air channels after use.
- Built-in 300 W heater.
- Lighted keypad control.
- Remote control.

#### Installation

- Drop-in or Under-mount.

#### Recommended Accessories

- K-578 Cube Undermount Installation Kit
- K-8134 Bath cable drain trim
- K-8150 Cube Cable Drain
- K-24916 Wireless Music Kit
- K-1491 Bath/Whirlpool Pillow
- K-1601 Bath/Whirlpool Footstop



#### Codes/Standards

ASME A112.19.7/CSA B45.10  
CSA B45.5/IAPMO Z124  
ASTM E162  
ASTM E662  
UL 1795  
CSA C22.2 No. 218.2  
Greenguard UL 2818 - Gold  
CARB P2



#### KOHLER® One-Year Limited Warranty

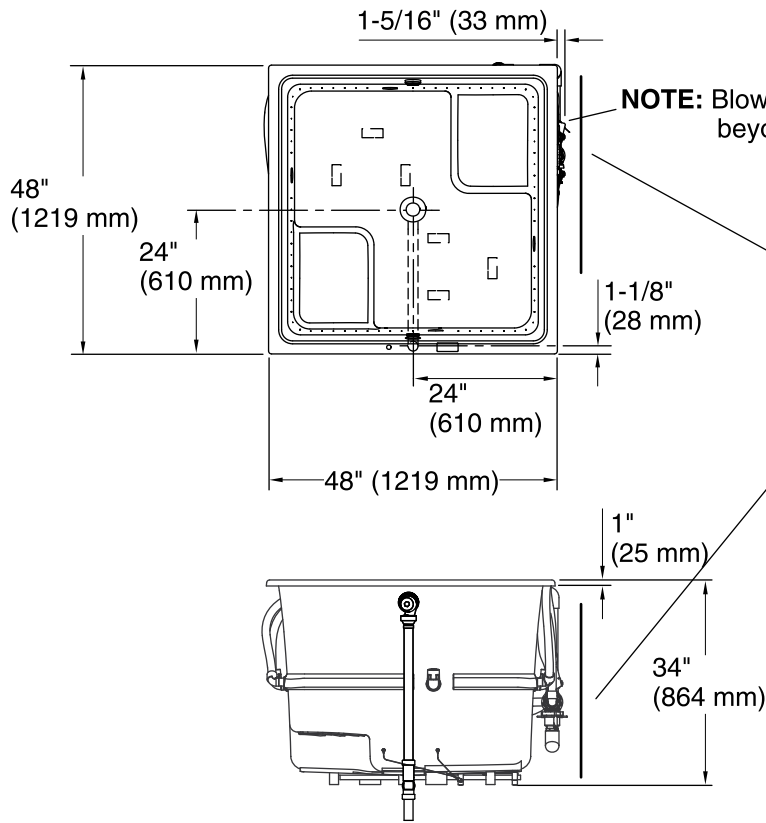
See website for detailed warranty information.

#### Available Color/Finishes

*Color tiles intended for reference only.*

Color	Code	Description
-------	------	-------------

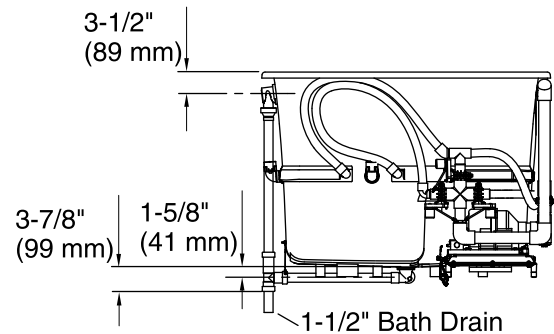
	0	White
	96	Biscuit



No change in measurement if connected with drain illustrated. (K-8150)

**NOTE:** Blower protrusion beyond the rim.

Blower Motor/Control Access  
34" (864 mm) W x  
15" (381 mm) H Max



### Required Electrical Service

One dedicated circuit required, protected with Class A Ground-Fault Circuit-Interrupter (GFCI) or Residual Current Device (RCD).

Blower: 240 V, 15 A, 50/60 Hz

### Technical Information

All product dimensions are nominal.

Installation: Drop-in, Under-mount  
 Drain location: Center  
 Basin area, bottom: 39-3/8" x 39-3/8" (1000 mm x 1000 mm)  
 Basin area, top: 44-5/8" x 44-5/8" (1133 mm x 1133 mm)  
 Weight: 150 lbs (68 kg)  
 Minimum floor load: 105 lbs/ft<sup>2</sup> (512.7 kg/m<sup>2</sup>)  
 Water depth: 27-1/2" (699 mm)  
 Water capacity: 171 gal (647.3 L)  
 Cutout: Drop-in, 47" x 47" (1194 mm x 1194 mm)  
 Electrical component rating: Blower: 240 V, 5 A, 50/60 Hz, 300 W  
 Blower speed: Variable

### Notes

Measure your actual product for rough-in details.

Install this product according to the installation instructions.

The hot water supply should be 70% of the capacity of the bath or greater. Installations will vary.

If relocating the blower motor, do not relocate or alter the PVC tee or coiled flexible tubing connected to the blower. Follow the blower relocation instructions exactly. Provide access for servicing the blower.