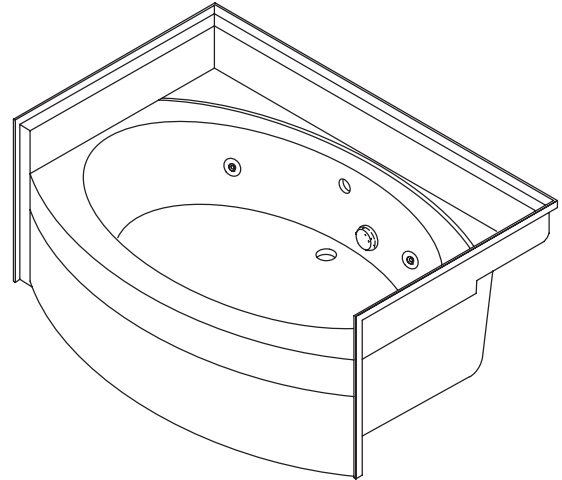


# K-1630, K-1630-CK

## FEATURES

- 60" (152.4cm) x 42-1/2" (108cm) x 17-1/2" (44.5cm)
- Fiberglass (FRP)
- 3-wall alcove
- 5 individually adjustable ProFlex hydro-massage jets
- 1-1/4 HP pump with air switch and cord with plug
- Spacious oval bathing well
- Stylish round apron front
- Molded-in floor texture
- Center drain outlet
- Optional K-9695 whirlpool trim kit in various finishes
- Optional K-1639 timer kit



## CODES/STANDARDS APPLICABLE

Specified model meets or exceeds the following:

- ASME/ANSI A112.19.7M
- ANSI Z124.1
- IAPMO/UPC
- Underwriters Laboratories (UL)
- State of Massachusetts

## COLORS/FINISHES

- 0 White
- Other Refer to Fixtures Price Book for additional colors

### Accessories:

- CP Polished Chrome
- PB Polished Brass
- Other Refer to Price Book for additional finishes
- NA None Applicable

## SPECIFIED MODEL:

Model	Description	Colors/Finishes	
K-1630	Whirlpool, right-hand pump, integral tile flange (shown)	<input type="checkbox"/> 0 White	<input type="checkbox"/> Other_____
K-1630-CK	Whirlpool, left-hand pump, integral tile flange	<input type="checkbox"/> 0 White	<input type="checkbox"/> Other_____

Recommended Accessories			
K-7161-AF	Drain	<input type="checkbox"/> CP	<input type="checkbox"/> PB <input type="checkbox"/> Other_____

Optional Accessories			
K-9695	Jet trim kit (metal finishes)	<input type="checkbox"/> CP	<input type="checkbox"/> PB <input type="checkbox"/> Other_____
K-1639	Timer Kit		<input type="checkbox"/> NA

## PRODUCT SPECIFICATION:

The bath whirlpool shall be 60" (152.4cm) in length, 42-1/2" (108cm) in width, and 17-1/2" (44.5cm) in height. Bath whirlpool shall be made of fiberglass (FRP), with right-hand or left-hand pump. Bath whirlpool shall have 5 individually adjustable ProFlex hydro-massage jets, 1-1/4 HP pump with air switch and cord with plug. Bath whirlpool shall have spacious oval bathing well. Bath whirlpool shall have stylish round apron front, molded-in floor texture and center drain outlet. Bath whirlpool shall have optional K-9695 trim kit. Bath whirlpool shall have optional K-1639 timer kit. Bath whirlpool shall be Kohler Model K-1630-\_\_\_\_\_ -\_\_\_\_\_.

## PRODUCT INFORMATION

Fixture*:	basin area	top area	weight		
Bathing well	43" (109.2cm) x 28" (71.1cm)	52" (132.1cm) x 32" (81.3cm)	115 lbs. (52.2kg)		
	water depth	capacity			
To overflow	13" (33cm)	55 gal. (208.2L)			
* Approximate measurements for comparison only.					
Pump:	HP	V	Hz	A	
1-speed	1-1/4	120	60	7.5	

## REQUIRED ELECTRICAL SERVICE

Dedicated circuit required, protected with Class A Ground-Fault Circuit-Interrupter (GFCI):	
Pump/control	120 V, 15 A, 60 Hz
Locate the outlet behind the whirlpool and within 24" (61cm) of the pump.	

## INSTALLATION NOTES

Install this product according to the installation guide.

Floor support under whirlpool must provide for a minimum of 80 lbs./square foot (390 Kg./square meter) loading.

If installing a rim-mount faucet, make sure there is no interference with drain overflow and circulating system before drilling any holes. Consult local and national codes for minimum air gap requirements if installing a spout on the faucet deck.

No change in measurements if connected with drain illustrated. (K-7161-AF or K-7161M-AF)		
Minimum access panel:		
Pump/control	20" (50.8cm) W x 15" (38.1cm) H	required

