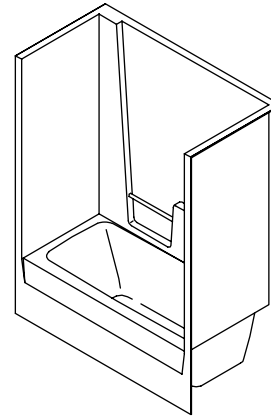


Features

- *Fiberglass (FRP)*
- *Left or right drain*
- *Integral soap ledges*
- *Clear acrylic grab bar*
- *One-piece unit for installation ease*
- *60" (152.4 cm) x 32" (76.2 cm) x 76" (193 cm)*

60" (152.4 cm) ONE-PIECE BATH AND SHOWER MODULE AND SHOWER MODULE

K-1585
ALSO K-1586



Codes/Standards Applicable

Specified model meets or exceeds the following:

- *ANSI Z124.2*
- *IAPMO/UPC*
- *Listed in State of Massachusetts*
- *CSA International*
- *Listed in Dade County, Florida*

Colors/Finishes

- 0: White
- Other: Refer to Price Book for additional colors/finishes

Accessories:

- CP: Polished Chrome
- PB: Polished Brass
- Other: Refer to Price Book for additional colors/finishes

Specified Model

Model	Description	Colors/Finishes		
K-1585	One-piece bath and shower module, left drain	<input type="checkbox"/> 0 White	<input type="checkbox"/> Other_____	
K-1586	One-piece bath and shower module, right drain	<input type="checkbox"/> 0 White	<input type="checkbox"/> Other_____	

Recommended Accessory				
K-7160-TF	Adjustable pop-up drain	<input type="checkbox"/> CP	<input type="checkbox"/> PB	<input type="checkbox"/> Other_____

Optional Accessories
Refer to Fixtures Price Book for shower door selections, glass options, and color information.

Product Specification:

The one-piece bath and shower module shall be 60" (152.4 cm) in length, 32" (76.2 cm) in width, and 76" (193 cm) in height. The module shall be made of fiberglass (FRP). Module shall have integral soap ledge and clear acrylic grab bar. Module shall have optional drain outlet at left or right. Bath and shower module shall be Kohler Model K-1585-_____ (left drain) **OR** Kohler Model K-1586-_____ (right drain).

VERACRUZ™

Technical Information

Fixture:*	basin area	top area	weight
Bathing well	46" (116.8 cm) x 20" (50.8 cm)	55" (139.7 cm) x 23" (58.4 cm)	131 lbs (59 kg)
	water depth	capacity	
To overflow	10-3/4" (27.3 cm)	43 gal. (163 L)	
Configuration			1-piece
Drain hole			2-1/4" D. (5.7 cm)
* Approximate measurements for comparison only.			

Installation Notes

Refer to installation instructions included with the fixture before beginning installation.

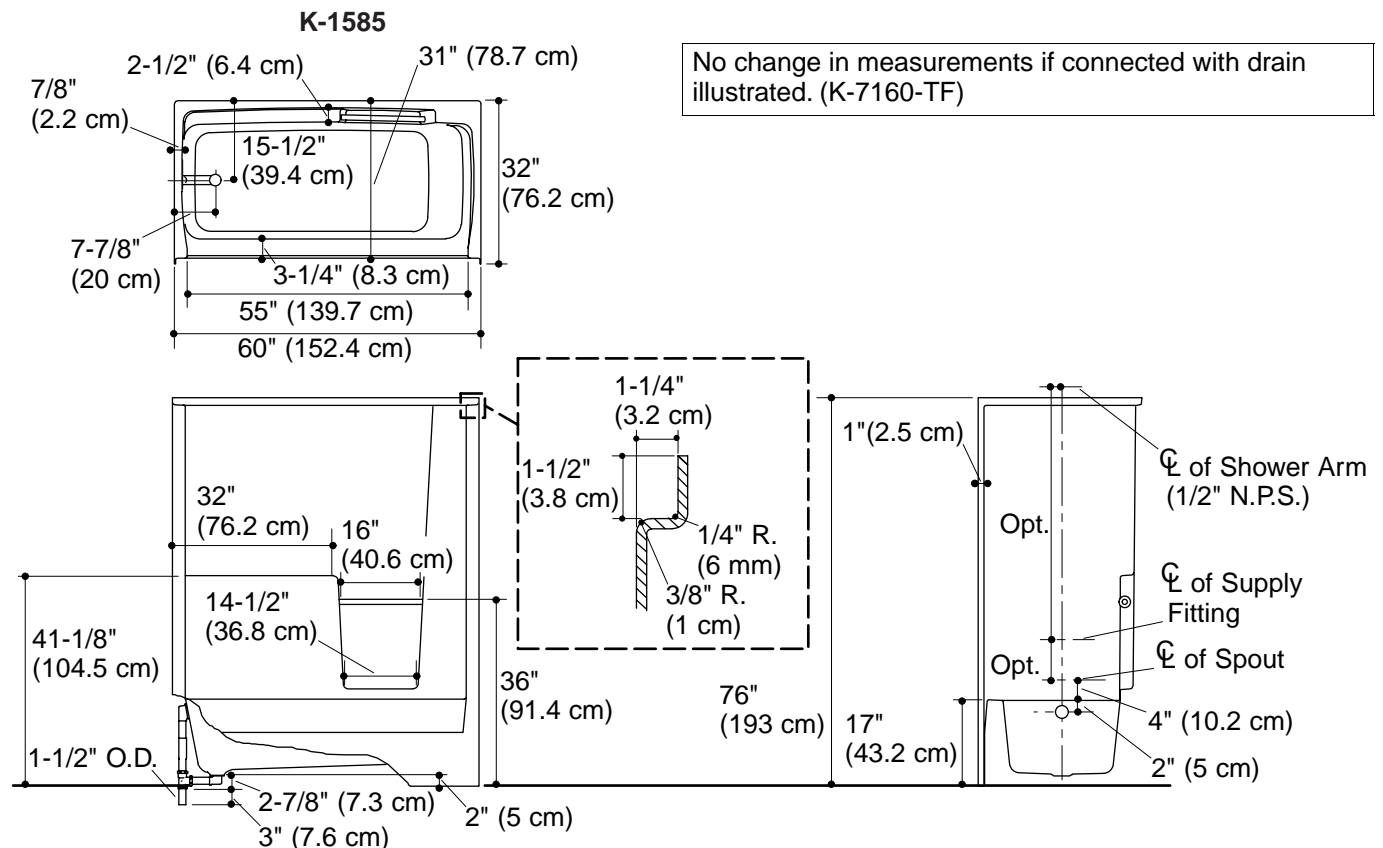
The fixture is not drilled for supply fittings.

Shimming may be required to level the fixture.

Stud opening tolerance is + 1/4" (6 mm), - 0" (0 mm).

When fire rated construction is specified, dimensions are to the inside of the fire-rated wall.

Some shimming between stud frame and fixture may be required.



Product Diagram

VERACRUZ™ 60" (152.4 cm) ONE-PIECE BATH AND SHOWER MODULE

Page 2 of 2
111347-4-CD

THE BOLD LOOK
OF **KOHLER**®