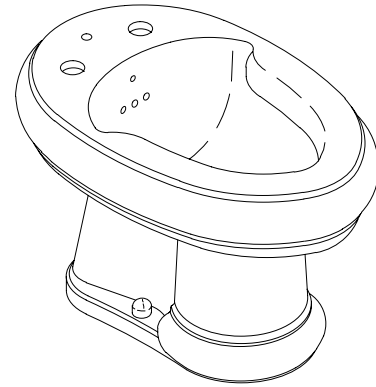


FEATURES

- Vitreous china
- Drilled for fixture-mounted bidet faucet with horizontal rim spray and wall-mounted vacuum breaker



CODES/STANDARDS APPLICABLE

Specified model meets or exceeds the following:

- ASME/ANSI A112.19.2M
- IAPMO/UPC
- Canadian Standards Association (CSA)
- State of Massachusetts

COLORS/FINISHES

- 0 White
- Other Refer to Fixtures Price Book for additional colors

Accessories:

- CP Polished Chrome
- PB Polished Brass
- Other Refer to Faucets Price Book for additional finishes

SPECIFIED MODEL:

Model	Description	Colors/Finishes	
K-4830	Bidet	<input type="checkbox"/> 0 White	<input type="checkbox"/> Other_____

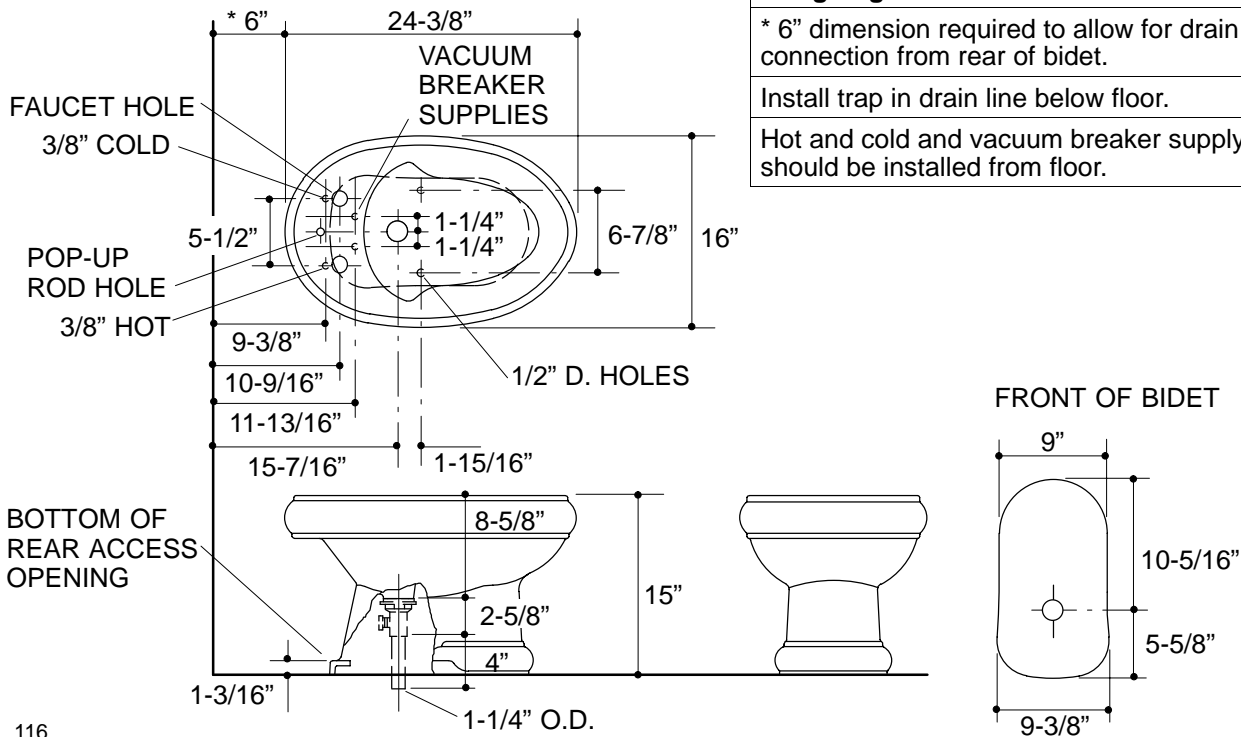
Recommended Accessories				
K-9018	Trap	<input type="checkbox"/> CP	<input type="checkbox"/> PB	<input type="checkbox"/> Other_____
K-7956-2	Pillows™ faucet OR		<input type="checkbox"/> PB	<input type="checkbox"/> Other_____
K-8244	Taboret faucet OR	<input type="checkbox"/> CP	<input type="checkbox"/> PB	
K-16137	Revival faucet	<input type="checkbox"/> CP	<input type="checkbox"/> PB	<input type="checkbox"/> Other_____

PRODUCT SPECIFICATION:

The bidet shall be made of vitreous china. Bidet shall be drilled for fixture-mounted bidet faucet with horizontal rim spray and wall-mounted vacuum breaker. Bidet shall be Kohler Model K-4830-_____.

PRODUCT INFORMATION

Fixture:	
Configuration	Faucet deck
Outlet	1-3/4" D.
Spray hole	3/8" D.
Faucet hole	1-7/16" D.
Pop-up rod hole	5/8" D.
Included Components:	
Floor screws and bolt caps	52049



Roughing-In Notes

* 6" dimension required to allow for drain and supply connection from rear of bidet.

Install trap in drain line below floor.

Hot and cold and vacuum breaker supply locations should be installed from floor.

116

PRODUCT DIAGRAM