

Features

- 6 hydromassage jets can be individually adjusted for water flow and direction
- Variable-speed pump for adjusting hydromassage intensity
- Adjustable neckjet pillow with 2 jets provides a stimulating, stress-relieving neck massage
- 10 backjets target the lower back and shoulders to relieve tension and encourage deep breathing
- Built-in heater
- Lighted keypad control
- Remote control
- Generous length provides a spacious bathing area
- Drilled for grab bars (required); sold separately
- Coordinates with other products in the Memoirs collection

Material

- Acrylic

Hydrotherapy

- Whirlpool
- Neckjets
- Backjets

Installation

- Drop-in
- Center drain

Required Products/Accessories

K-9653 Grab bars for whirlpool baths with Spa/Massage package

or

K-T37391 Rotary-turn bath drain trim

K-T37392 Rotary-turn bath drain trim

or

K-37385 rough-in cable drain, PVC, 45" cable

K-78439 45" cable bath drain

Recommended Products/Accessories

K-1491 Bath/Whirlpool Pillow

K-1601 Bath/whirlpool footstop, removable

K-23726 Drain treatment

K-23732 Tub & shower cleaner

1015255 Jet trim kit



Codes/Standards

ASME A112.19.7/CSA B45.10

CSA B45.5/IAPMO Z124



KOHLER® Plastic Baths and Shower Bases Lifetime Limited Warranty KOHLER® Hydrotherapy Components Five-Year Limited Warranty

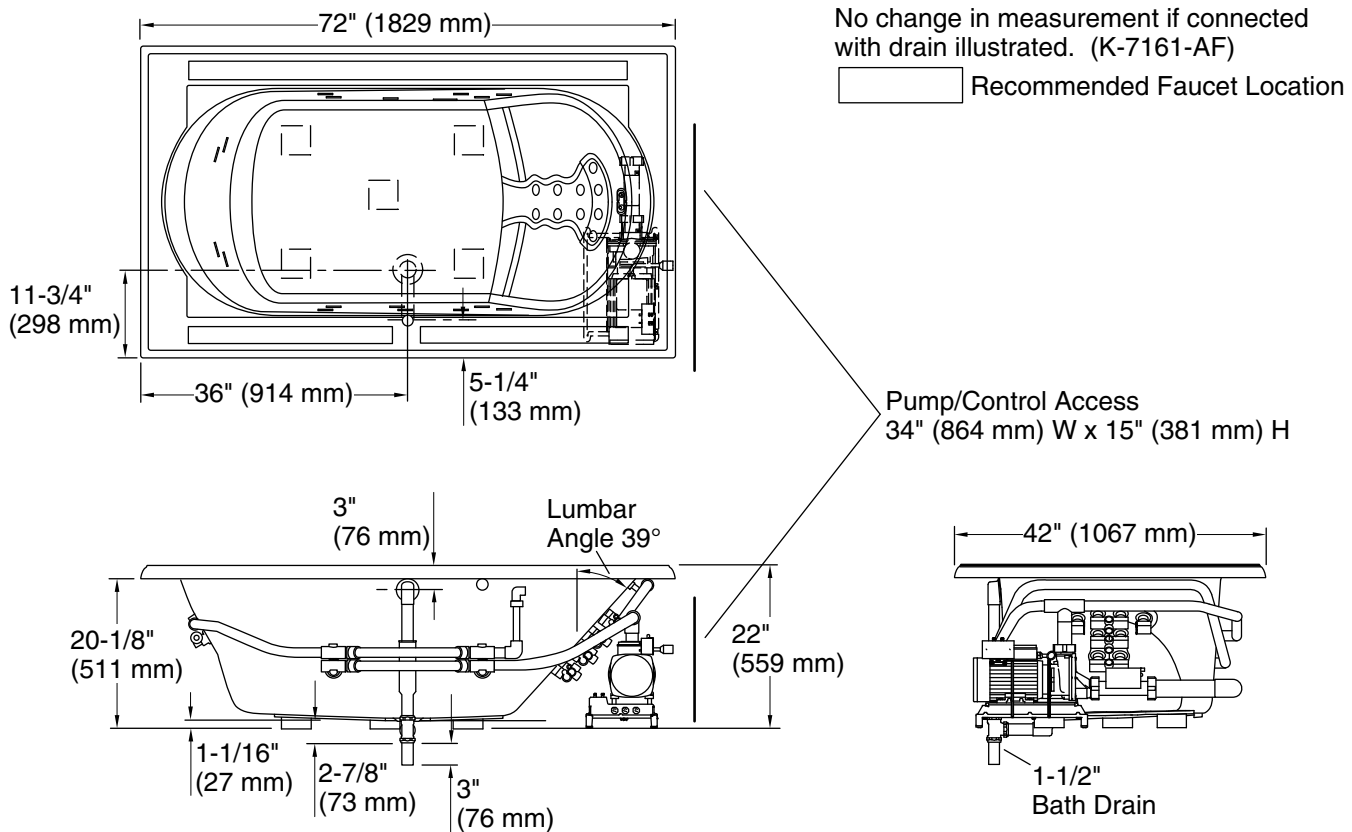
See website for detailed warranty information.

Available Colors/Finishes

Color tiles intended for reference only.

Color	Code	Description
-------	------	-------------

	0	White
	96	Biscuit



Required Electrical Service

One dedicated circuit required, protected with Class A Ground-Fault Circuit-Interrupter (GFCI). Outside North America, this device may be known as a Residual Current Device (RCD).

Pump, Heater: 240 V, 20 A, 50/60 Hz

Technical Information

All product dimensions are nominal.

Drain location: Center

Basin area, bottom: 41-3/4" x 27-3/16" (1060 mm x 691 mm)

Basin area, top: 60" x 30" (1524 mm x 762 mm)

Weight: 140 lbs (63.5 kg)

Minimum floor load: 44 lbs/ft² (214.8 kg/m²)

Water depth: 16" (406 mm)

Water capacity: 86 gal (325.5 L)

Cutout: Drop-in, 70-1/2" x 40-1/2" (1791 mm x 1029 mm)

Electrical component rating: Pump: 240 V, 11 A, 50/60 Hz, 1500 W
Heater: 240 V, 50/60 Hz, 1500 W

Pump speed: Variable

Minimum flat for 3-7/8" (98 mm)

1-800-4KOHLER (1-800-456-4537)

Kohler Co. reserves the right to make revisions without notice to product specifications.

For the most current Specification Sheet, go to www.kohler.com USA or www.kohler.ca Canada

2-8-2025 15:03 - US/CA

Notes

Measure your actual product for rough-in details.

Install this product according to the installation instructions.

The hot water supply should be 70% of the capacity of the bath or greater. Installations will vary.

This whirlpool is designed for drop-in installation only. It is not suited for use in a three wall alcove with an overhead shower.

If installing a rim-mount faucet, make sure there is no interference above or below the deck before drilling any holes.