



Features

- Center drain.
- Integral lumbar support.
- Textured bottom surface.
- Coordinates with other products in the Memoirs® collection.
- 72" (1829 mm) x 42" (1067 mm) x 22" (559 mm)

Material

- Acrylic

Hydrotherapy

- Eight fully adjustable Flexjet™ hydrotherapy jets for water flow and direction.
- Multiple pump location options give you more choices for installation and access.
- Built-in 1500 W heater.
- Lighted keypad control.

Installation

- Drop-in

Required Accessories

K-9698 Flexjet® Whirlpool Trim Kit

Recommended Accessories

K-1491 Bath/Whirlpool Pillow
K-1601 Bath/Whirlpool Footstop
K-1703 Whirlpool Remote Control
K-7161-AF Bath Drain
K-24916 Wireless Music Kit



Codes/Standards

ASME A112.19.7/CSA B45.10
CSA B45.5/IAPMO Z124
ASTM E162
ASTM E662
UL 1795
CSA C22.2 No. 218.2
Greenguard UL 2818 - Gold
CARB P2






KOHLER® One-Year Limited Warranty

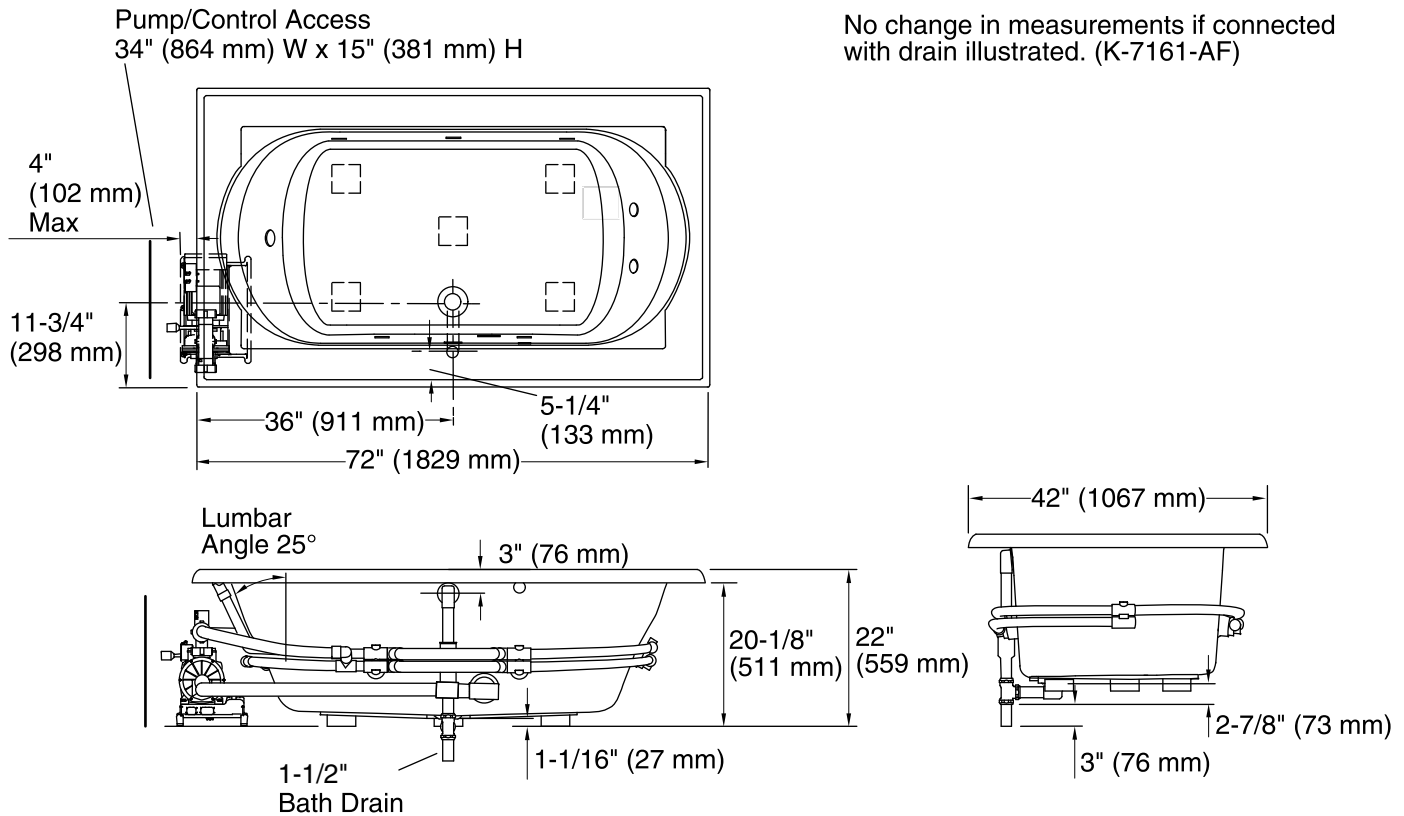
See website for detailed warranty information.

Available Color/Finishes

Color tiles intended for reference only.

Color	Code	Description
-------	------	-------------

	0	White
	96	Biscuit
	47	Almond
	NY	Dune
	G9	Sandbar



No change in measurements if connected with drain illustrated. (K-7161-AF)

Required Electrical Service

One dedicated circuit required, protected with Class A Ground-Fault Circuit-Interrupter (GFCI) or Residual Current Device (RCD).

Pump, Heater: 240 V, 20 A, 50/60 Hz

Technical Information

All product dimensions are nominal.

Installation:	Drop-in
Drain location:	Center
Basin area, bottom:	48" x 27" (1219 mm x 686 mm)
Basin area, top:	60" x 30" (1524 mm x 762 mm)
Weight:	140 lbs (63.5 kg)
Minimum floor load:	45 lbs/ft ² (219.7 kg/m ²)
Water depth:	16" (406 mm)
Water capacity:	94 gal (355.8 L)
Cutout:	Drop-in, 70-1/2" x 40-1/2" (1791 mm x 1029 mm)
Electrical component rating:	Pump: 240 V, 11 A, 50/60 Hz Heater: 240 V, 6.3 A, 50/60 Hz, 1500 W
Pump speed:	Variable

Notes

Measure your actual product for rough-in details.

Install this product according to the installation instructions.

The hot water supply should be 70% of the capacity of the bath or greater. Installations will vary.

If installing a rim-mount faucet, make sure there is no interference with drain overflow before drilling any holes. Consult local and national codes for minimum air gap requirements if installing a spout on the faucet deck.

Pump must be relocated to custom position at the time of installation. Provide adequate clearance.

This whirlpool is designed for drop-in installation only. It is not suited for use in a three wall alcove with an overhead shower.