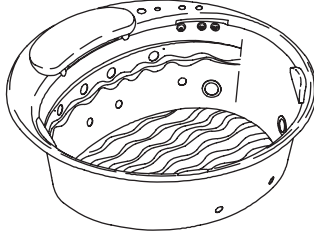


# Homeowners Guide

## Bath Whirlpool

K-1394-H2, K-1394-H3



**Write model number here:**

**Écrire le numéro du modèle ici:**

**Escriba el número de modelo aquí:** \_\_\_\_\_

**M** product numbers are for Mexico (i.e. K-12345**M**)

Los números de productos seguidos de **M** corresponden a México

(Ej. K-12345**M**)

Français, page "Français-1"

Español, página "Español-1"

THE BOLD LOOK  
OF **KOHLER**

# Operating Instructions

## INSTRUCTIONS PERTAINING TO A RISK OF FIRE, ELECTRICAL SHOCK, OR INJURY TO PERSONS

### READ AND FOLLOW ALL INSTRUCTIONS

### SAVE THESE INSTRUCTIONS



**WARNING:** When using electrical products, basic precautions should always be followed, including the following:



**DANGER: Risk of personal injury.** To reduce the risk of injury, do not permit children to use this unit unless they are closely supervised at all times.



**WARNING: Risk of personal injury.** To avoid injury, exercise care when entering or exiting the whirlpool.



**WARNING: Risk of electric shock.** Do not permit electric appliances (such as a hair dryer, lamp, telephone, radio, or television) within 5' (1.5 m) of this whirlpool.



**WARNING: Risk of hyperthermia.** People using medications and/or having an adverse medical history should consult a physician before using a whirlpool equipped with a heater.



**WARNING: Risk of scalding.** Do not allow the water temperature in the whirlpool to exceed 104°F (40°C).

Use this whirlpool only for its intended purpose as described in this manual. Do not use attachments not recommended by the manufacturer.

Never drop or insert any object into any opening. Keep small objects such as bath toys and bathing accessories out of the whirlpool while the unit is running.

Do not operate this unit without the guard (cover) over the suction fitting.

The whirlpool must be connected only to a supply circuit that is protected by a Ground-Fault Circuit-Interrupter (GFCI) or Residual Current Device (RCD). Such a GFCI or RCD should be provided by the installer and should be tested on a routine basis. To test the GFCI or RCD, press the test button. The GFCI or RCD should interrupt power. Press the reset button. Power should be restored. If the GFCI or RCD fails to operate in this manner, the GFCI or RCD is defective. If the GFCI or RCD interrupts power to the bath without the test button being pressed, a ground current is flowing, indicating the possibility of an electric shock. Do not use this whirlpool bath. Disconnect the whirlpool and have the problem corrected by a qualified service representative before using.



**WARNING: The use of alcohol, drugs, or medication can greatly increase the risk of fatal hyperthermia.** Prolonged immersion in hot water may induce hyperthermia. Hyperthermia occurs when the internal temperature of the body reaches a level several degrees above the normal body temperature of 98.6°F (37°C). The symptoms of hyperthermia include an increase in the internal temperature of the body, dizziness, lethargy, drowsiness, and fainting. The effects of hyperthermia include: (a) failure to perceive heat, (b) failure to recognize the need to exit the bath, (c) unawareness of impending hazard, (d) fetal damage in pregnant women, (e) physical inability to exit the bath, and (f) unconsciousness resulting in the danger of drowning.

Flush your whirlpool system twice a month or more depending upon usage, as described in the "Flush System" section.

Repeated use of personal care products containing oils can damage plastic whirlpool components. Do not use heavy, vegetable-based shampoos or bath oils.

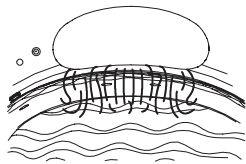
Whirlpool hydro-massage action can cause even a small amount of bubble bath, bath soap, shampoo, or bath oil to foam excessively. For this reason, please don't use these products during whirlpool operation.

## **Thank You For Choosing Kohler Company**

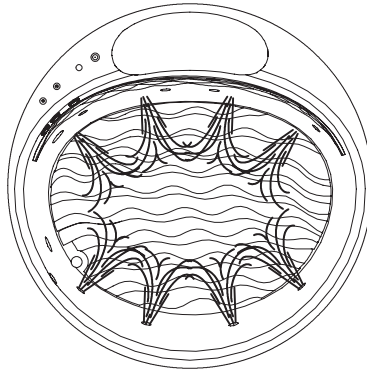
Thank you for choosing Kohler Company. Your Kohler Company product reflects the true passion for design, craftsmanship, artistry, and innovation Kohler Company stands for. We are confident its dependability and beauty will surpass your highest expectations, satisfying you for years to come.

All information in this guide is based upon the latest product information available at the time of publication. At Kohler Company, we strive to fulfill our mission of improving the level of gracious living for each person who is touched by our products and services. We reserve the right to make changes in product characteristics, packaging, or availability at any time without notice.

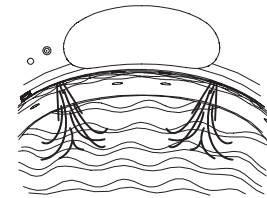
Please take a few minutes to review this guide. Pay special attention to the care and cleaning instructions.



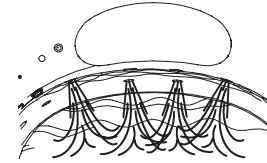
**Waterfall Mode**



**Whirlpool Flexjet Mode**



**Riverjets - Whitewater Mode**



**Riverjets - Rapids Mode**

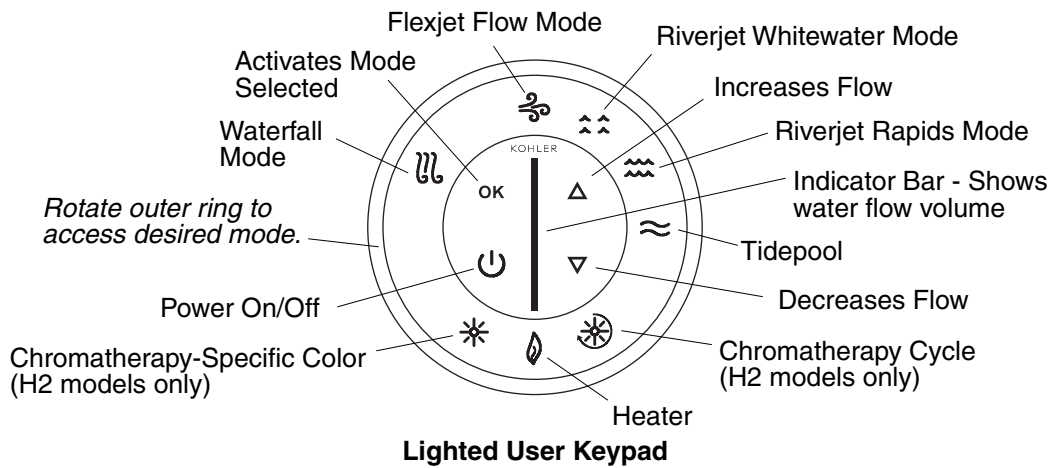
## Your Kohler Whirlpool

### The whirlpool is equipped with the following components:

- **Bath** - The bath acts as a reservoir for water and provides a location for the hydro-massage action.
- **User Keypad** - Located within easy reach, the keypad allows you to turn the whirlpool on and off. It also allows you to access all the whirlpool modes and regulate the water flow or pulse speed. Available modes will be illuminated in blue. Active modes will be illuminated in green.
- **Pump Motors** - The pump motors provide quiet, variable speed power to circulate the water and create the soothing hydro-massage action. Your whirlpool uses two pump motors. One pump motor powers the Waterfall and the second pump propels water through the Flexjets and Riverjets.
- **Heater** - The heater is designed to automatically help maintain the temperature of the water up to 104°F (40°C) to enhance your hydro-massage experience. The heater turns on automatically when the Flexjet/Riverjet pump is operating, and turns off when the pump motor is turned off. The heater may be turned off through the keypad at any time while the pumps are operating.
- **Pillows** - The pillows provide a comfortable place to rest your head as you relax.
- **Remote Control** - The waterproof remote control allows control of the whirlpool functions from either inside or outside the bath.

### Your bath offers several distinct whirlpool experiences:

- **Waterfall Mode** - A continuous stream of water (less heat) flows behind the neck at a medium volume within seconds. This mode may be used alone or with the Flexjet Flow Mode, Riverjet - Whitewater Mode, or Riverjet - Rapids Mode.
- **Whirlpool Flexjet Mode** - An immediate invigorating whirlpool action is created at a medium volume. The eight Flexjets are located lower in your whirlpool than the Riverjets. Positioned to optimize their hydro-massage effect, the jets allow you to adjust the air and water flow and control the flow direction as you desire.
- **Riverjets - Whitewater Mode** - A swirling action from the two outside Riverjets is created behind the neck at a medium volume.
- **Riverjets - Rapids Mode** - A swirling action from all four Riverjets is created behind the neck.
- **Tidepool** - Turns off the air flow to the jets for a soothing, relaxing effect (not illustrated). This mode may be used at any time while any of the jets are operating. This mode does not affect the Waterfall mode.



## User Keypad

Available modes will be illuminated in blue. Active modes will be illuminated in green.

<b>Power</b>	Turns the whirlpool pump on and off.
<b>Outer Ring</b>	Rotate the outer ring to the desired mode. The selected mode will flash blue.
<b>Waterfall Mode</b>	Rotate the outer ring to select this mode, then press OK. Press the up or down arrow icons to increase or decrease the water flow. The indicator bar will display the water flow volume. This mode may be used alone or with the Flexjet Flow, Riverjet Whitewater, or Riverjet Rapids mode.
<b>OK</b>	Activates the desired mode.
<b>Flexjet Flow Mode</b>	Rotate the outer ring to select this mode, then press OK. Press the up or down arrow icons to increase or decrease the water flow. The indicator bar will display the water flow volume.
<b>Riverjet Whitewater Mode</b>	Rotate the outer ring to select this mode, then press OK. Press the up or down arrow icons to increase or decrease the water flow. The indicator bar will display the water flow volume.
<b>Up Arrow</b>	Increases the water flow.
<b>Riverjet Rapids Mode</b>	Rotate the outer ring to select this mode, then press OK. Press the up or down arrow icons to increase or decrease the water flow. The indicator bar will display the water flow volume.
<b>Indicator Bar</b>	Displays the water flow volume.
<b>Tidepool</b>	Rotate the outer ring to select this mode, then press OK. Press the up or down arrow icons to increase or decrease the water flow. The indicator bar will display the water flow volume. This mode may be used at any time while any of the jets are operating. This mode does not affect the Waterfall mode. Some air may flow from one or more jets for a short time after this mode has been activated.
<b>Down Arrow</b>	Decreases the water flow.
<b>Chromatherapy Cycle</b>	H2 models: Rotate the outer ring to select this mode, then press OK. The chromatherapy lights will automatically and continuously cycle through eight colors. One cycle through all eight colors takes approximately one minute. Only one of the two keypads controls this mode.
<b>Heater</b>	Automatically engages when the power icon is selected. Rotate the outer ring until the heater mode is flashing, then press OK to turn the heater off. Press OK again to turn the heater back on.
<b>Chromatherapy Specific Color</b>	H2 models: Rotate the outer ring to select this mode, then press OK. Press the up or down arrow to select a color, then press OK again. Only one of the two keypads controls this mode.

### Sleep Mode

- Approximately 15 seconds after user keypad inactivity, only the last mode selected on the user keypad will illuminate. Press any mode or turn the outer ring to illuminate the entire user keypad.
- Approximately 60 seconds after the whirlpool is powered off, the keypad will darken completely to conserve power. Press the power button or turn the outer ring to reactivate the user keypad.

## Operation

### Fill Whirlpool

- Turn the jet trim fully counterclockwise. Position the jet nozzles so they face down toward the basin.

**NOTICE:** Do not allow the water temperature in the whirlpool to exceed 104°F (40°C). The heater will automatically maintain the water temperature when the whirlpool is running, as long as the water temperature does not exceed 104°F (40°C). The heater will disengage at higher temperatures.

- Close the drain, then fill the whirlpool with water. For "Waterfall" mode only, fill the whirlpool at least 2" (5.1 cm) above the top of the suction covers. For "Waterfall" or "Flexjet" mode less "Riverjets", fill the whirlpool at least 2" (5.1 cm) above the top of the highest Flexjet. For all modes, fill the whirlpool above the water-level sensors on either side of the Riverjets.
- Using your hand, test the water temperature for comfort and safety. Carefully enter the bath.
- Press the power icon to turn on the whirlpool pump and heater or rotate the outer ring to access a desired mode.
- Press the up or down arrow icons to increase or decrease the water flow. The indicator bar will display the water flow volume.
- Adjust the jets for optimum air/water mixture (when "Tidepool" mode is not activated). Turn the jet trim clockwise to reduce the flow or counterclockwise to increase the flow. If desired, position the jet nozzles to direct the water flow to maximize your hydro-massage experience.

**NOTE:** A built-in timer automatically stops the pump and motor after approximately 20 minutes of operation.

- If desired, turn the heater off by rotating the outer ring until the heater button is flashing and pressing "OK." Press "OK" again to turn the heater back on.
- Press the power icon a second time to turn off the whirlpool pump and heater.
- Carefully exit the bath, then open the drain to empty the whirlpool.

**NOTE:** If the whirlpool is not operating properly, consult the "Troubleshooting" section of this guide before calling a qualified service representative.

### Remote Control

- Refer to the Homeowners Guide packed with the remote control for proper operation.

## Care and Cleaning

For best results, keep the following in mind when caring for your KOHLER product:

- Always test your cleaning solution on an inconspicuous area before applying to the entire surface.
- Wipe surfaces clean and rinse completely with water immediately after applying cleaner. Rinse and dry any overspray that lands on nearby surfaces.
- Do not allow cleaners to soak on surfaces.
- Use a soft, dampened sponge or cloth. Never use an abrasive material such as a brush or scouring pad to clean surfaces.

For detailed cleaning information and products to consider, visit [www.kohler.com/clean](http://www.kohler.com/clean). To order Care & Cleaning information, call 1-800-456-4537.

## Flush System

**NOTE:** Flush your whirlpool system twice a month or more, depending upon usage.

- Turn the jet trim rings fully clockwise to remove air induction.
- Fill the whirlpool with warm water above the backjet level probes or leave water in the whirlpool after using.
- Add 2 teaspoons (10 ml) of a low-foaming, powder automatic dishwasher detergent and 20 ounces (590 ml) of household bleach (5% - 6% sodium hypochlorite) to the water.

## Flush System (cont.)

- Run the whirlpool for 5 to 10 minutes. Turn off the whirlpool and drain the water.
- If desired, rinse the bath surfaces with water.
- Rinse the surfaces of the jets, faucet, handrails, and drain, and wipe them dry with a soft cloth.

## Warranty

### ONE-YEAR LIMITED WARRANTY

KOHLER plumbing products are warranted to be free of defects in material and workmanship for one year from date of installation.

Kohler Co. will, at its election, repair, replace or make appropriate adjustment where Kohler Co. inspection discloses any such defects occurring in normal usage within one (1) year after installation. Kohler Co. is not responsible for removal or installation costs. **Use of in-tank toilet cleaners will void the warranty.**

To obtain warranty service contact Kohler Co. either through your Dealer, Plumbing Contractor, Home Center or E-tailer, or by writing Kohler Co., Attn.: Customer Care Center, 444 Highland Drive, Kohler, WI 53044, USA, or by calling 1-800-4KOHLER (1-800-456-4537) from within the USA and Canada, and 001-877-680-1310 from within Mexico.

**IMPLIED WARRANTIES INCLUDING THAT OF MERCHANTABILITY AND FITNESS FOR A PARTICULAR PURPOSE ARE EXPRESSLY LIMITED IN DURATION TO THE DURATION OF THIS WARRANTY. KOHLER CO. AND/OR SELLER DISCLAIM ANY LIABILITY FOR SPECIAL, INCIDENTAL OR CONSEQUENTIAL DAMAGES.** Some states/provinces do not allow limitations on how long an implied warranty lasts, or the exclusion or limitation of special, incidental or consequential damages, so these limitations and exclusions may not apply to you. This warranty gives you specific legal rights. You may also have other rights which vary from state/province to state/province.

**This is Kohler Co.'s exclusive written warranty.**

## Warranty

KOHLER CO.

It is recommended that at the time of purchase, you verify that all accessories and components are complete in this package.

This Kohler product is warranted to be free of defects in material and workmanship for one (1) year from the date of purchase as shown on the invoice or receipt.

1. Kohler Co. will only service its commercialized products through its authorized distributors.
2. To obtain warranty service, please present the invoice and corresponding warranty.
3. Through its authorized distributors, Kohler Co. promises to repair the defective product or provide a new replacement or an equivalent model (in those cases that the model has been discontinued) when the product is beyond repair, without any charge to the consumer.
4. The time of repair will not exceed six (6) weeks commencing on the date the product is received.
5. It is recommended that the consumer save the invoice or receipt as additional protection, as it may substitute the warranty in the case that there is a discrepancy in the validity of the warranty.

### EXCEPTIONS AND RESTRICTIONS

The Warranty will not be valid in the following cases:

1. When the product is not operated in accordance with the instructions concerning use and operation set forth in the owner's manual or installation instructions, and when the recommendations and warnings included are not observed.
2. When the product has been modified or dismantled partially or totally; or has been used in a negligent

## Warranty (cont.)

fashion and as a consequence has suffered damages attributable to the consumer, individual, or hardware not authorized by Kohler Co.

3. This warranty does not cover the damages as a result of disaster such as fire or acts of God, including flooding, earthquake, or electric storms, etc. To obtain a list of distributors in your area where you can exercise your rights under this warranty, please call 001-877-680-1310.

KOHLER CO., KOHLER, WI 53044 U.S.A.

### IMPORTER:

INTERNACIONAL DE CERÁMICA, S.A.B. DE C.V.

AV. CARLOS PACHECO NO. 7200

CHIHUAHUA, CHIH., MEXICO C.P. 31060

TEL: 52 (14) 29-11-11

## Troubleshooting

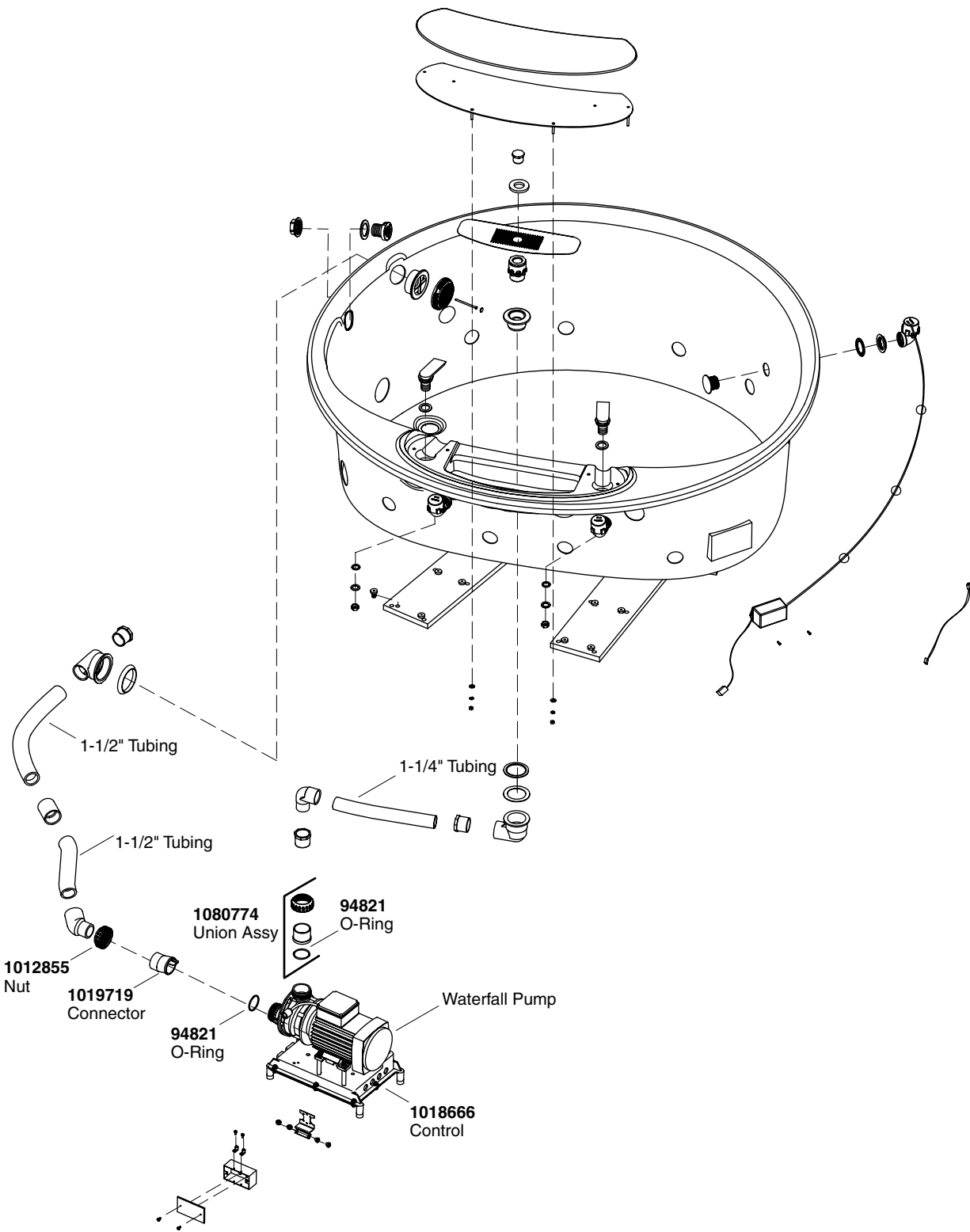
This troubleshooting guide is for general aid only. A Kohler Authorized Service Representative or qualified electrician should correct all electrical problems. For warranty service, contact your dealer or wholesale distributor.

Symptoms	Probable Causes	Recommended Action
1. User keypad does not illuminate when power button is pressed or outer ring is rotated.	A. No power to control. B. GFCI or RCD tripped. C. Wiring harness from user keypad to control is loose, disconnected, or damaged. D. User keypad does not work. E. Control does not work.	A. Check wiring and connect power. If problem persists, refer to the installer/dealer. B. Reset GFCI or RCD. C. Check wiring for proper connections. Replace wiring harness if necessary. Refer to the installer/dealer. D. Replace user keypad. Refer to the installer/dealer. E. Replace control. Refer to the installer/dealer.
2. Motor starts, but all jets are not functioning.	A. Jet is closed. B. Jet not installed correctly. C. Jets are blocked.	A. Rotate jet trim counterclockwise to open. B. Reinstall jet; check for O-ring damage. C. Remove blockage.
3. User keypad is illuminated, but does not respond to buttons or outer ring.	A. Control program is locked. B. Wiring harness from user keypad to control is loose, disconnected, or damaged. C. User keypad does not work. D. Control does not work.	A. Reset GFCI or RCD. B. Check wiring for proper connections. Replace wiring harness if necessary. Refer to the installer/dealer. C. Replace user keypad. Refer to the installer/dealer. D. Replace control. Refer to the installer/dealer.



<b>Troubleshooting (cont.)</b>		
<b>Symptoms</b>	<b>Probable Causes</b>	<b>Recommended Action</b>
4. User keypad indicator bar keeps scanning at power-up.	<p>A. Control program is locked.</p> <p>B. Wiring harness from user keypad to control is loose, disconnected, or damaged.</p> <p>C. User keypad does not work.</p> <p>D. Control does not work.</p>	<p>A. Reset GFCI or RCD.</p> <p>B. Check wiring for proper connections. Replace wiring harness if necessary. Refer to the installer/dealer.</p> <p>C. Replace user keypad. Refer to the installer/dealer.</p> <p>D. Replace control. Refer to the installer/dealer.</p>
5. User keypad is illuminated, but pump will not start.	<p>A. Power cord from pump to control is loose, disconnected, or damaged.</p> <p>B. Pump does not work.</p> <p>C. Control does not work.</p>	<p>A. Check wiring for proper connections. If problem persists, Refer to the installer/dealer.</p> <p>B. Replace pump. Refer to the installer/dealer.</p> <p>C. Replace control. Refer to the installer/dealer.</p>
6. Motor runs but pump will not prime (cavitates).	<p>A. Motor/Pump is shimmed too high.</p> <p>B. Small air leak at pump inlet.</p> <p>C. Motor/pump does not work.</p> <p>D. Control does not work.</p>	<p>A. Lower pump/control to subfloor level.</p> <p>B. Securely tighten nut(s) on intake side of pump.</p> <p>C. Replace motor/pump. Refer to the installer/dealer.</p> <p>D. Replace control. Refer to the installer/dealer.</p>
7. Little or poor water flow from dual fill ports (if included).	<p>A. Water supply lines blocked</p> <p>B. Transfer valve not fully open.</p>	<p>A. Remove blockage.</p> <p>B. Rotate transfer valve handle.</p>
8. Little or poor water flow from Waterfall.	<p>A. Suction or harness blocked.</p> <p>B. Pump does not work.</p> <p>C. Control does not work.</p>	<p>A. Remove blockage.</p> <p>B. Replace pump. Refer to the installer/dealer.</p> <p>C. Replace control. Refer to the installer/dealer.</p>
9. Riverjets run, but Whitewater/Rapids jets do not operate as described.	<p>A. Insufficient water in whirlpool basin.</p> <p>B. User keypad does not work.</p> <p>C. Butterfly valve does not work.</p> <p>D. Control does not work.</p>	<p>A. Fill whirlpool so water covers water-level sensors.</p> <p>B. Replace user keypad. Refer to the installer/dealer.</p> <p>C. Check wiring. Replace butterfly valve. Refer to the installer/dealer.</p> <p>D. Replace control. Refer to the installer/dealer.</p>
10. Up/down volume control arrows do not change water flow as described.	<p>A. User keypad does not work.</p> <p>B. Pump does not work.</p> <p>C. Control does not work.</p>	<p>A. Check wiring. Replace user keypad. Refer to the installer/dealer.</p> <p>B. Replace pump. Refer to the installer/dealer.</p> <p>C. Replace control. Refer to the installer/dealer.</p>
11. Air flow through jets does not stop when Tidepool mode is activated.	<p>A. User keypad does not work.</p> <p>B. Butterfly valve does not work.</p> <p>C. Control does not work.</p>	<p>A. Check wiring. Replace user keypad. Refer to the installer/dealer.</p> <p>B. Check wiring. Replace butterfly valve. Refer to the installer/dealer.</p> <p>C. Replace control. Refer to the installer/dealer.</p>

<b>Troubleshooting (cont.)</b>		
<b>Symptoms</b>	<b>Probable Causes</b>	<b>Recommended Action</b>
12. Air continues to flow through one or more jets for several seconds after Tidepool mode is activated.	A. Normal operation - air will stop flowing in a short time.	A. No action required.
13. Pump stops before 18 minutes.	A. GFCI or RCD tripped. B. Suction is blocked. C. Jets are blocked. D. Motor overheated and protection device activated.	A. Identify source of fault, and correct. Reset GFCI or RCD. B. Remove obstruction. C. Remove blockage. D. Check for blockage at suction and/or jets. Remove blockage and allow motor to cool.
14. Pump does not automatically stop after 22 minutes.	A. 20-minute timer inadvertently disabled.	A. See Service Manual.
15. Pump will not turn off when the power button on user keypad is pressed.	A. User keypad does not work. B. Control does not work.	A. Replace user keypad. Refer to the installer/dealer. B. Replace control. Refer to the installer/dealer.
16. Pump operates but variable speed feature does not work.	A. Motor/pump does not work. B. Control does not work.	A. Replace motor/pump. Refer to the installer/dealer. B. Replace control. Refer to the installer/dealer.
17. Bath water cools while pump is operating.	A. Water temperature above 104°F (40°C). B. Heater is turned off on user keypad. C. Wiring from heater to control is loose, disconnected, or damaged. D. Heater does not work. E. Control does not work.	A. Allow bath water to cool. B. Turn heater on. C. Check wiring for proper connections. Refer to the installer/dealer. D. Replace heater. Refer to the installer/dealer. E. Replace control. Refer to the installer/dealer.
18. Noisy operation.	A. Pump banding straps have not been cut. B. Dry or dislodged jet O-ring (squeal).	A. Cut pump banding straps with tin snips. B. Remove jet, replace and lubricate O-ring, and reinstall jet.
19. Remote control does not work.	A. Batteries improperly installed or dead. B. Antenna on wiring harness is damaged. C. Remote control not programmed correctly. D. Remote control does not work. E. Control does not work.	A. Replace batteries. B. Replace wiring harness. Refer to the installer/dealer. C. See Homeowners Guide or Service Manual. D. Replace remote control. E. Replace control. Refer to the installer/dealer.
20. Chromatherapy lights (H2 models) do not work.	A. Loose, disconnected, or damaged wiring/connections. B. Control does not work.	A. Check wiring for proper connections. Replace wiring if necessary. Refer to the installer/dealer. B. Replace control. Refer to the installer/dealer.

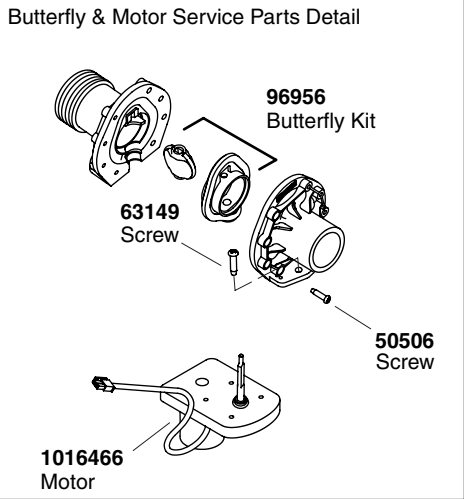
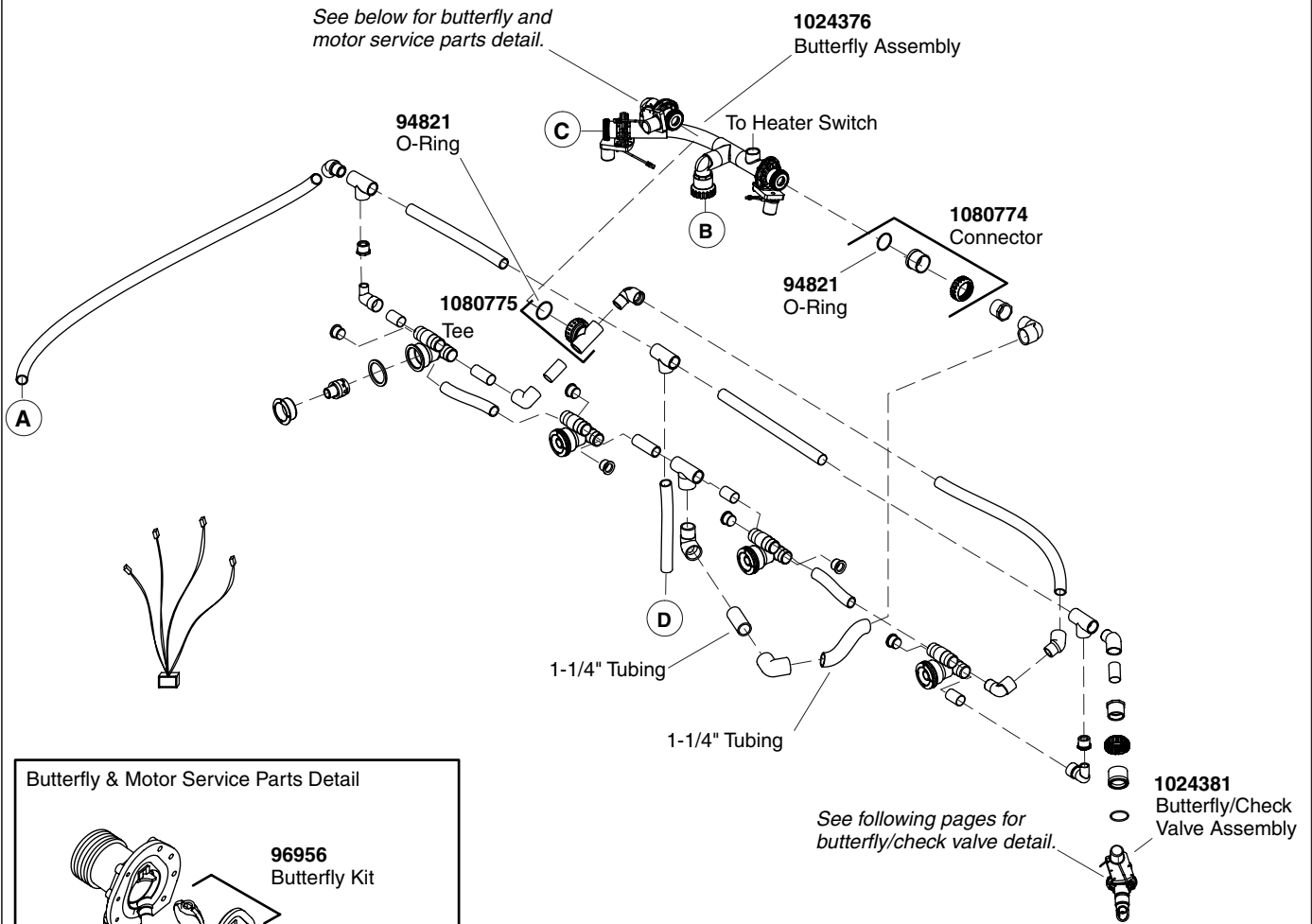


**\*\*Finish/color code must be specified when ordering.**

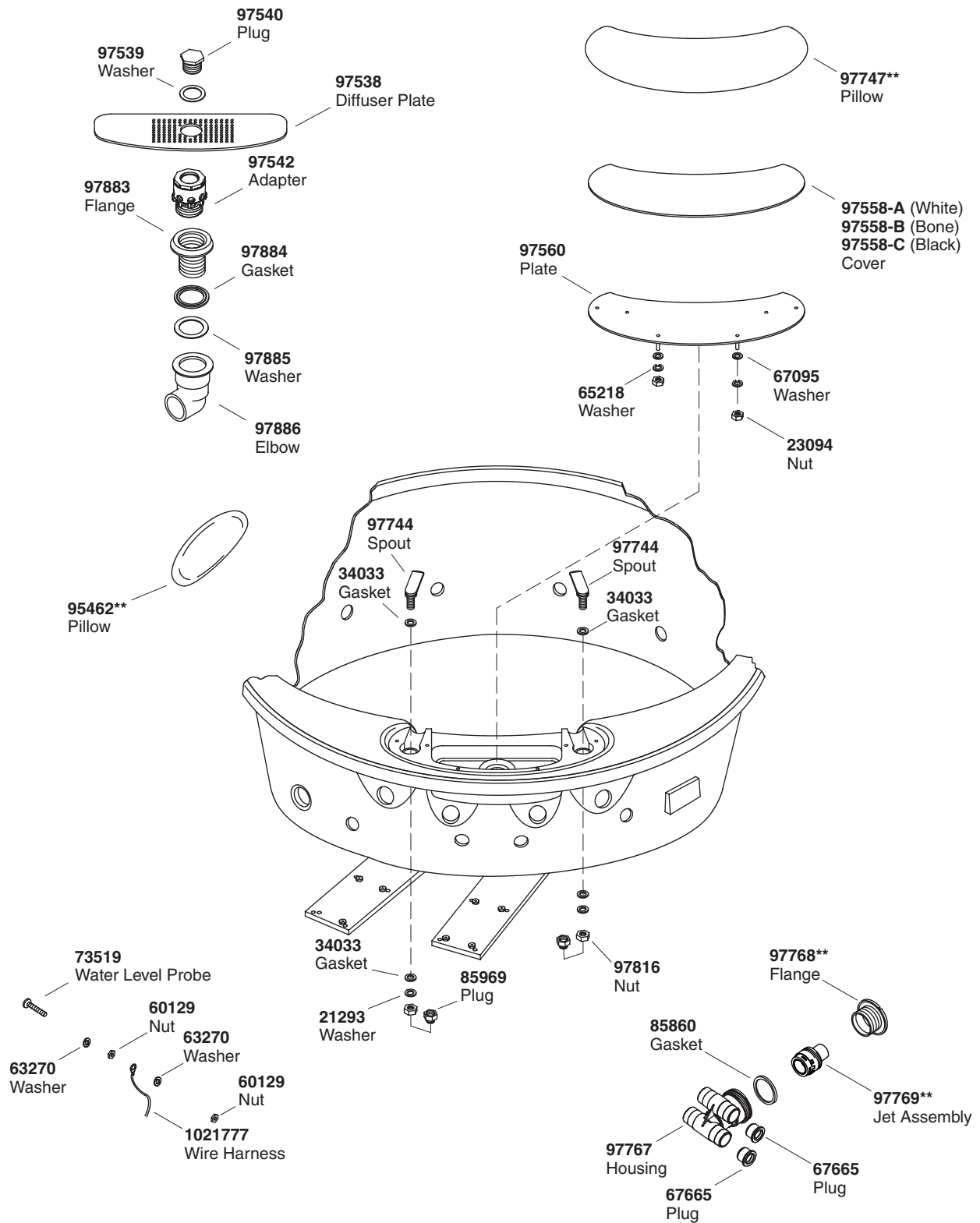
## Service Parts



**\*Note:** All tubing 1" unless otherwise noted.

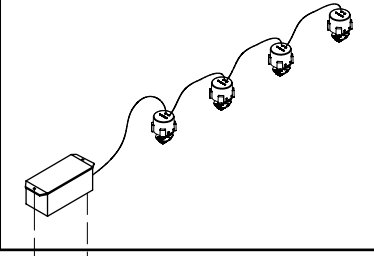


**\*\*Finish/color code must be specified when ordering.**

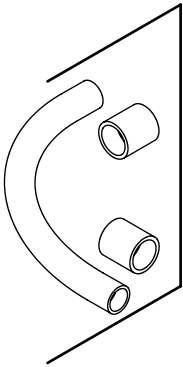


**\*\*Finish/color code must be specified when ordering**

**1019933**  
Chromatherapy Lights

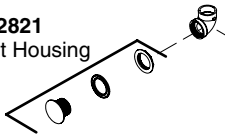


**93192**  
Screw

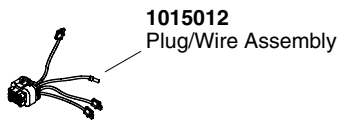


**93836** (1/2")  
**93838** (1")  
**93839** (1-1/4")  
**94853** (1-1/2")  
Tube (w/Couplings)

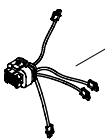
**1012821**  
Light Housing



**1010618**  
Elbow



**1015012**  
Plug/Wire Assembly



**1015023**  
Plug/Wire Assembly

**1003065**  
Suction Flange  
Removal Tool



**73518**  
Plug



**93685**  
Housing



**96708**  
Flange



**65886**  
Gasket



**65054\*\***  
Screw



**96895\*\*** (Colored Finishes)  
**65061\*\*** (Metal Finishes)  
Cover



**65226\*\***  
Suction Cover Plug

**91967**  
Check Valve



**1086350**  
Flange Removal Wrench



**67665**  
Plug



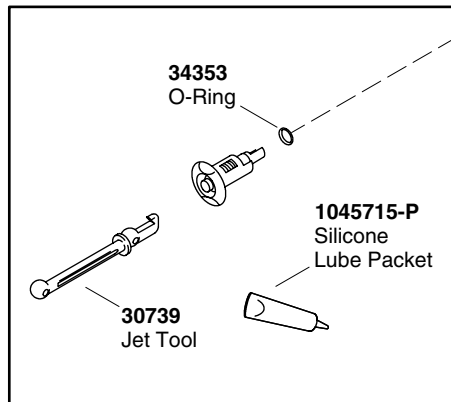
**67429**  
Flange



**67889**  
Jet Housing



**65885**  
Gasket



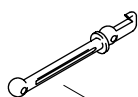
**34353**  
O-Ring



**1045715-P**  
Silicone  
Lube Packet

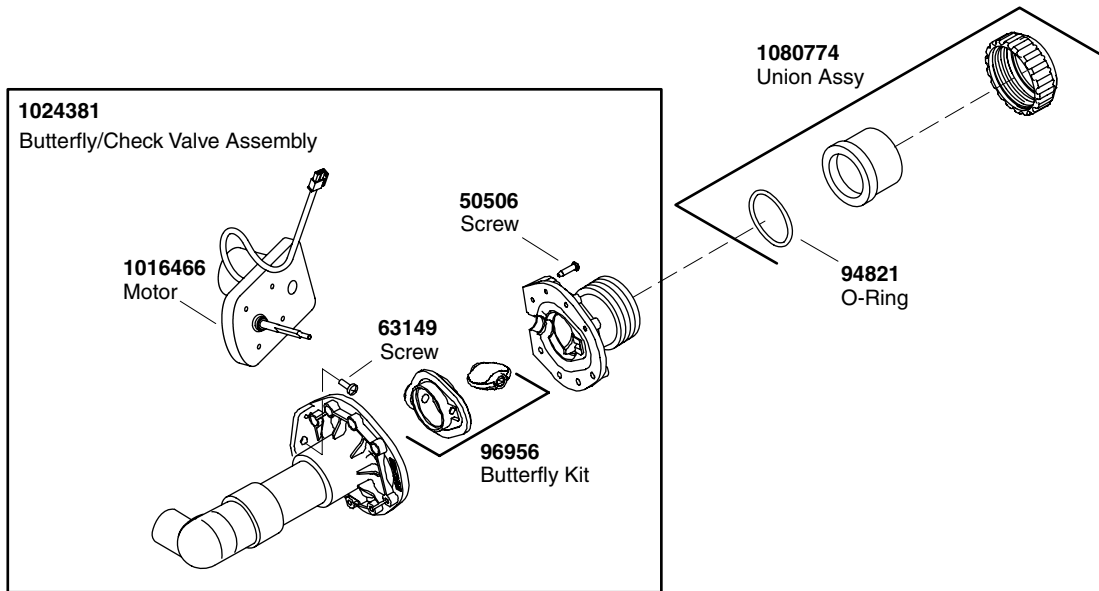
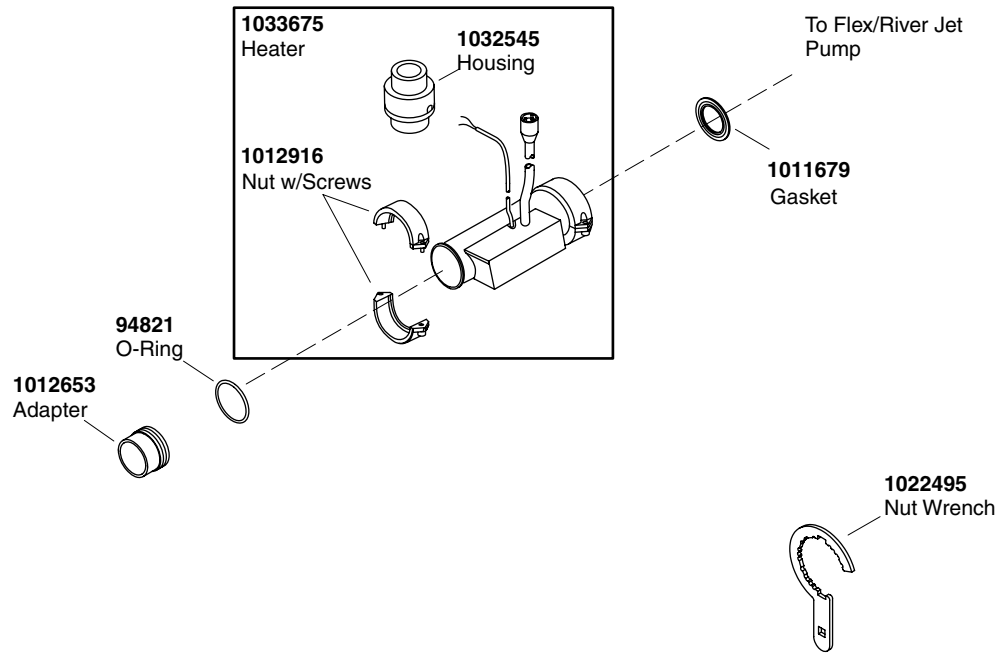


**30739**  
Jet Tool



**Single Jet for Whirlpools  
with 6 or More Jets**  
**88530\*\*** (Colored Finishes)  
**88529\*\*** (Metal Finishes)  
Jet

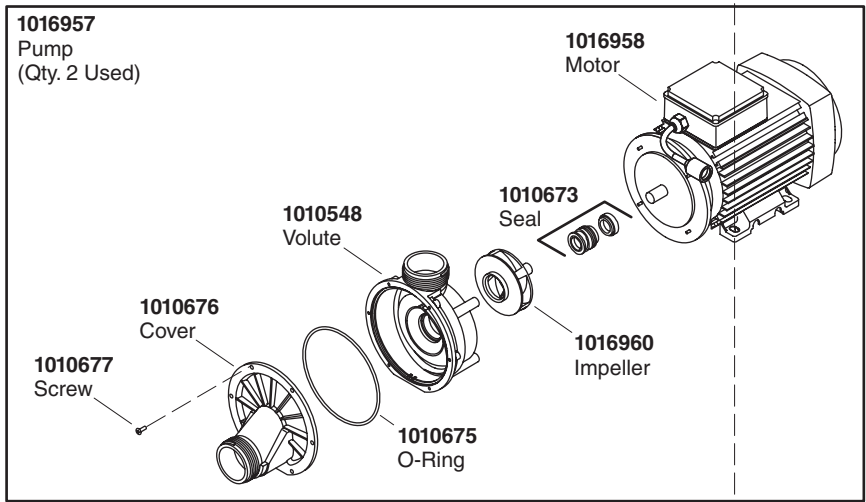
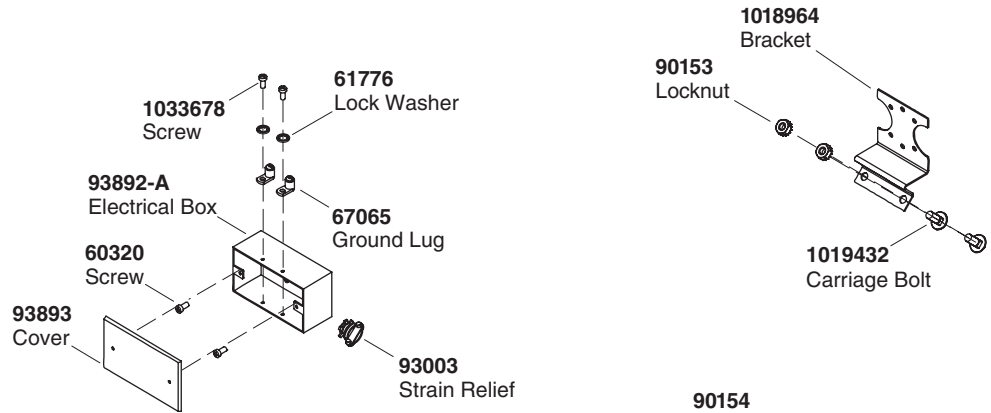
**\*\*Finish/color code must be specified when ordering.**



**\*\*Finish/color code must be specified when ordering.**



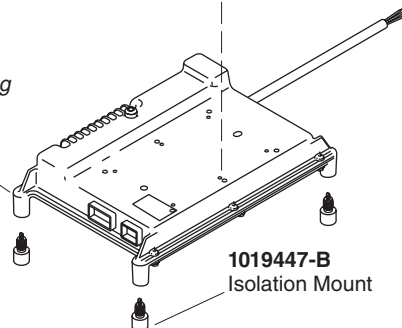
61845-K  
Copper Grounding Wire



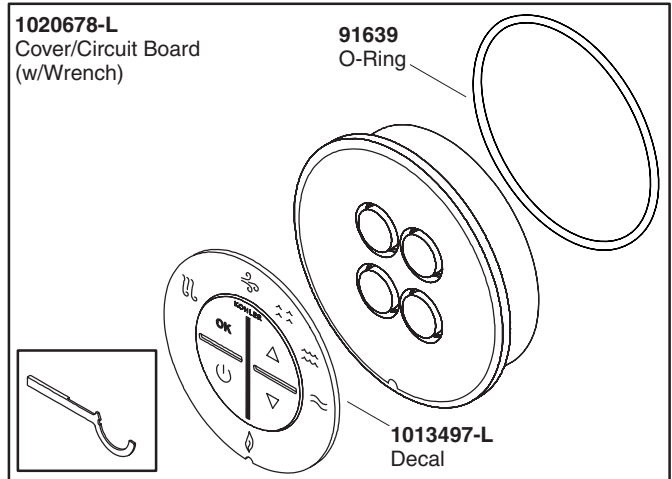
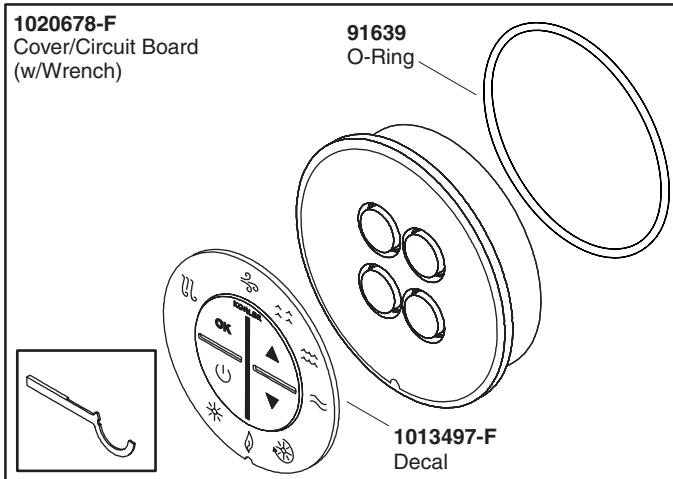
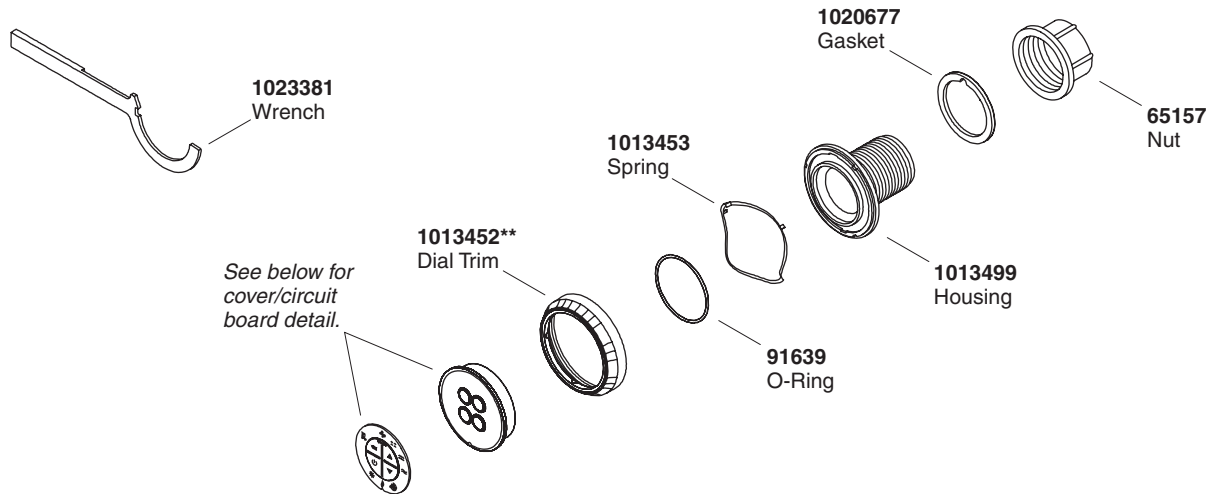
1019444-A [3/4"(2 cm)]  
1019444-H [2-1/2"(6.4 cm)]  
Spacer

1019445-A [1-3/4"(4.4 cm)]  
1019445-H [3-1/2"(8.9 cm)]  
Stud

*Controls vary depending  
on pump application.  
See harness detail for  
proper identification.*



**\*\*Finish/color code must be specified when ordering**



**\*\*Finish/color code must be specified when ordering**

# Guide du propriétaire

## Baignoire à hydromassage

### Instructions d'opération

#### INSTRUCTIONS RELATIVES AUX RISQUES D'INCENDIE, D'ÉLECTROCUTION OU DE BLESSURES CORPORELLES

#### LIRE ET SUIVRE TOUTES LES INSTRUCTIONS

#### CONSERVER CES INSTRUCTIONS



**AVERTISSEMENT :** Lors de l'utilisation des produits électriques, des précautions de base devraient toujours être observées, incluant ce qui suit:



**DANGER :** Risque de blessures corporelles. Afin de réduire les risques de blessures, ne jamais permettre à un enfant d'utiliser cet appareil sans surveillance.



**AVERTISSEMENT :** Risque de blessures corporelles. Pour éviter les blessures corporelles, entrer et sortir avec précaution de la baignoire à hydromassage.



**AVERTISSEMENT :** Risque d'électrocution. Ne pas raccorder d'appareils électriques (tels que sèche-cheveux, lampe, téléphone, radio ou télévisions) dans les 5' (1,5 m) de cette baignoire à hydromassage.



**AVERTISSEMENT :** Risque d'hyperthermie. Les personnes sous médicaments ou qui sont en observation médicale doivent consulter leur médecin avant d'utiliser des baignoires à hydromassage équipées de chauffe-eau.



**AVERTISSEMENT :** Risque de brûlures. Ne pas laisser la température de la baignoire à hydromassage excéder 104° F (40°C).

Utiliser cette baignoire à hydromassage uniquement pour un usage tel que décrit dans ce manuel. Ne pas utiliser des fixations non recommandées par le fabricant.

Ne jamais faire tomber ou insérer d'objet quelconque dans les ouvertures. Ne pas laisser de petits objets tels que des jouets ou accessoires pour le bain dans la baignoire à hydromassage lorsqu'elle est en marche.

Ne pas utiliser cet appareil sans ses protecteurs (couvercles) sur ses raccords d'aspiration.

La baignoire à hydromassage doit être raccordée uniquement à une prise de terre, protégée par un disjoncteur différentiel (GFCI) ou un appareil de courant résiduel (RCD). De tels disjoncteurs GFCI ou RCD devraient être fournis par l'installateur et vérifiés régulièrement. Appuyer sur le bouton de test pour tester les disjoncteurs GFCI ou RCD. Le GFCI ou RCD devrait couper le courant. Appuyer sur le bouton de réinitialisation. L'alimentation devrait être restituée. Si les disjoncteurs GFCI ou RCD ne fonctionnent pas de cette façon, l'un ou l'autre est défectueux. Si les disjoncteurs GFCI ou RCD stoppent l'alimentation électrique à la baignoire sans que le bouton test ne soit utilisé, il y a donc un court-circuit indiquant la possibilité de choc électrique. Ne pas utiliser pas cette baignoire à hydromassage. Débrancher la baignoire à hydromassage et la faire réviser par un technicien qualifié avant son utilisation.



**AVERTISSEMENT :** La consommation d'alcool, de drogues ou de médicaments peuvent augmenter considérablement le risque fatal d'hyperthermie. Une immersion prolongée dans l'eau chaude peut provoquer l'hyperthermie. L'hyperthermie a lieu lorsque la température corporelle interne atteint plusieurs degrés au dessus de la température normale de 98,6°F (37°C). Les

## Instructions d'opération (cont.)

symptômes d'hyperthermie comprennent la hausse de la température corporelle, l'étourdissement, la léthargie, la somnolence et l'évanouissement. Les effets de l'hyperthermie comprennent: (a) défaut de percevoir la chaleur, (b) défaut de s'apercevoir du besoin de sortir de la baignoire, (c) incapacité de reconnaître le danger, (d) dommages au fœtus dans le cas des femmes enceintes, (e) incapacité physique de sortir de la baignoire et (f) inconscience et danger conséquent de noyade.

Purger le système d'hydromassage deux fois par mois ou plus souvent selon la fréquence d'usage, tel que décrit dans la section "Purger le système".

L'utilisation répétée de produits d'hygiène et de beauté contenant des huiles peut endommager les revêtements en plastique des composants de la baignoire à hydromassage. Ne pas utiliser de shampoings ou d'huiles de bains à bases végétales.

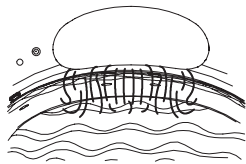
L'action de la baignoire à hydromassage peut considérablement faire mousser une quantité de produit moussant, même très petite, de savon, de shampoing ou d'huile pour le bain. Pour cette raison, nous vous conseillons de ne pas utiliser ces produits dans votre baignoire à hydromassage.

## Merci d'avoir choisi la compagnie Kohler

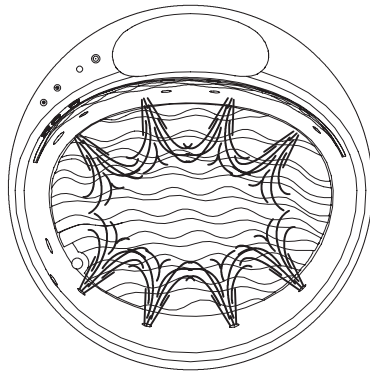
Merci d'avoir choisi la compagnie Kohler. Votre produit de la compagnie Kohler reflète la véritable passion du design, d'artisanat, d'art et d'innovation représentant la compagnie Kohler. Nous sommes confiants que sa fiabilité et beauté surpasseront vos exigences les plus élevées, vous satisfaisant pendant les années à venir.

Toute information contenue dans ce guide est basée sur l'information la plus récente du produit disponible au moment de la publication. A la compagnie Kohler, nous aspirons à remplir notre mission d'améliorer le niveau de vie gracieux pour chaque individu affecté par nos produits et services. Nous nous réservons le droit d'apporter des modifications aux caractéristiques, aux emballages et à la disponibilité des produits à tout moment, et ce sans préavis.

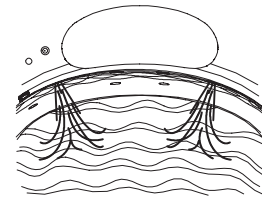
Veillez prendre s'il vous plaît quelques minutes pour étudier ce guide. Prêter une attention toute particulière aux instructions d'entretien et de nettoyage.



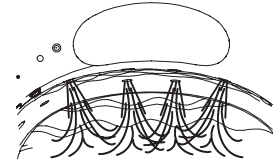
**Mode Cascade**



**Baignoire à hydromassage Flexjet**



**Jets de Style Rivières - Mode Eau Vive**



**Jets de Style Rivière - Mode Rapides**

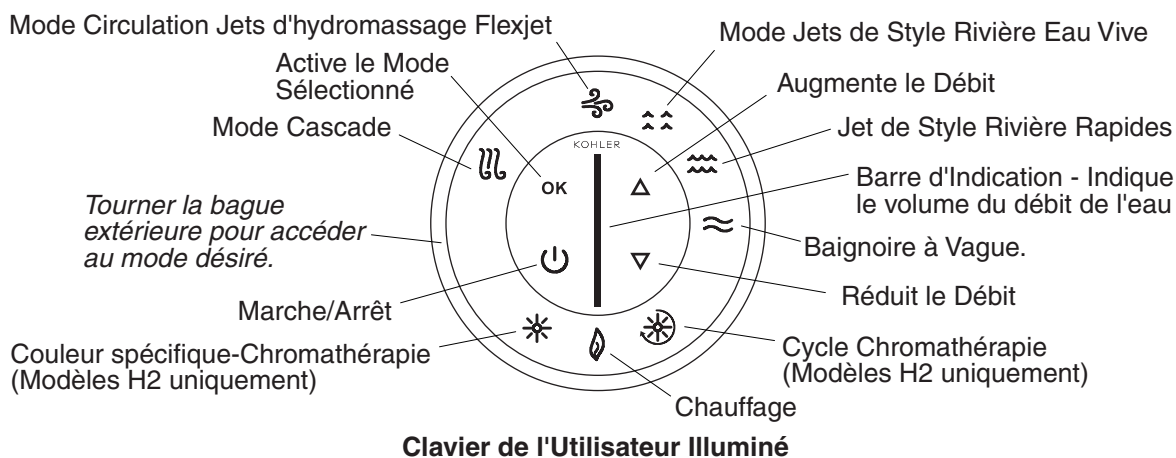
## **Votre baignoire à hydromassage Kohler**

**La baignoire à hydromassage est équipée des éléments suivants:**

- **Baignoire** - La baignoire agit comme un réservoir d'eau et fournit un espace pour l'action d'hydromassage.
- **Clavier de l'utilisateur** - Simple d'accès, le clavier de l'utilisateur vous permet de démarrer ou d'arrêter votre baignoire à hydromassage. Il vous permet aussi d'accéder à tous les modes de la baignoire à hydromassage et au réglage du débit d'eau ou de la puissance d'impulsion. Les modes disponibles sont allumés en bleu. Les modes actifs seront illuminés en vert.
- **Moteurs de pompe** - Les moteurs de la pompe procurent une énergie silencieuse et à vitesse variable pour la circulation d'eau et crée l'action d'hydromassage. Votre baignoire à hydromassage utilise deux moteurs de pompes. Un moteur de pompe alimente la Cascade, et une deuxième pompe propulse l'eau par les Flexjets et les Riverjets (jets de style rivière).
- **Chauffe-eau** - Le chauffe-eau est conçu pour aider à maintenir automatiquement la température de l'eau jusqu'à 104°F (40°C) et pour améliorer votre expérience d'hydromassage. Le chauffe-eau s'active automatiquement lorsque la pompe Flexjet/Riverjet est en service, puis il s'éteint de lui-même lorsque le moteur de la pompe s'arrête. Le chauffe-eau peut être arrêté par le clavier à tout moment quand les pompes sont en marche.
- **Oreillers** - Les oreillers fournissent l'endroit parfait pour reposer la tête et se relaxer.
- **Télécommande** - La télécommande étanche permet de contrôler les fonctions de la baignoire à hydromassage de l'intérieur ou de l'extérieur de la baignoire.

**Votre baignoire offre plusieurs expériences distinctes d'hydromassage:**

- **Mode cascade** - Un jet d'eau continu (moins de chaleur) coule derrière le cou en quelques secondes à un débit moyen. Ce mode peut être utilisé seul, ou en combinaison avec les modes Flexjets ou Riverjets (en mode Whitewater ou Rapids).
- **Baignoire à hydromassage Flexjet** - Un massage revigorant créé à un débit moyen. Les huit Flexjets sont localisés sous les Riverjets de la baignoire à hydromassage. Positionnés de manière stratégique pour optimiser l'effet d'hydromassage, ils permettent d'ajuster le débit d'air et d'eau, ainsi que de contrôler la direction du jet selon le désir.
- **Riverjets - Mode Eau Vive** - Un effet tourbillon des Riverjets est localisé derrière le cou avec un débit moyen.
- **Riverjets - Mode Rapides** - Un effet tourbillon des Riverjets est localisé derrière le cou avec un débit moyen.
- **Baignoire à vague** - Cette option coupe l'arrivée d'air aux jets pour un effet relaxant (non illustré). Ce mode peut être utilisé à tout moment quand les jets sont en marche. Il n'affecte pas le mode Cascade.



## Clavier de l'utilisateur

Les modes disponibles sont allumés en bleu. Les modes actifs seront illuminés en vert.

<b>Alimentation</b>	Met les pompes de la baignoire à hydromassage en marche et arrêt.
<b>Anneau extérieur</b>	Tourner la bague extérieure pour accéder au mode désiré. Le mode sélectionné clignotera (en bleu).
<b>Mode cascade</b>	Faire tourner la bague extérieure pour choisir ce mode, puis appuyer sur OK. Appuyer sur les flèches vers le haut ou le bas pour augmenter ou diminuer le débit d'eau. La barre indicatrice affiche le volume du débit d'eau. Ce mode peut être utilisé seul, ou en combinaison avec les modes Flexjets, Riverjets (eau vive ou rapides).
<b>OK</b>	Active le mode désiré.
<b>Mode débit jets de type Flexjet</b>	Faire tourner la bague extérieure pour choisir ce mode, puis appuyer sur OK. Appuyer sur les flèches vers le haut ou le bas pour augmenter ou diminuer le débit d'eau. La barre indicatrice affiche le volume du débit d'eau.
<b>Riverjets - Mode Eau vive</b>	Faire tourner la bague extérieure pour choisir ce mode, puis appuyer sur OK. Appuyer sur les flèches vers le haut ou le bas pour augmenter ou diminuer le débit d'eau. La barre indicatrice affiche le volume du débit d'eau.
<b>Flèche haut</b>	Augmente le débit d'eau.
<b>Riverjets - Rapides</b>	Faire tourner la bague extérieure pour choisir ce mode, puis appuyer sur OK. Appuyer sur les flèches vers le haut ou le bas pour augmenter ou diminuer le débit d'eau. La barre indicatrice affiche le volume du débit d'eau.
<b>Bar indicatrice</b>	Affiche le volume du débit d'eau.
<b>Baignoire à Vague.</b>	Faire tourner la bague extérieure pour choisir ce mode, puis appuyer sur OK. Appuyer sur les flèches vers le haut ou le bas pour augmenter ou diminuer le débit d'eau. La barre indicatrice affiche le volume du débit d'eau. Ce mode peut être utilisé à tout moment quand les jets sont en marche. Il n'affecte pas le mode Cascade. Une certaine quantité d'air peut continuer à s'échapper d'un ou plusieurs jets pendant une courte période après que ce mode ait été activé.
<b>Flèche bas</b>	Réduit le débit d'eau.
<b>Cycle de chromathérapie</b>	Modèles H2: Faire tourner la bague extérieure pour choisir ce mode, puis appuyer sur OK. Les lumières de chromathérapie s'illumineront automatiquement et de manière continue en passant par un cycle de huit couleurs. Un cycle des huit couleurs dure à peu près une minute. Seul un des deux claviers contrôle ce mode.
<b>Chauffe-eau</b>	S'active automatiquement lorsque la baignoire à hydromassage est mise en service. Tourner la bague extérieure jusqu'à que le mode débit clignote et appuyer sur OK. Appuyer encore une fois sur OK pour remettre le chauffe-eau en fonction.
<b>Couleur spécifique de chromathérapie</b>	Modèles H2: Faire tourner la bague extérieure pour choisir ce mode, puis appuyer sur OK. Appuyer sur la flèche vers le haut ou vers le bas pour choisir une couleur, puis appuyer de nouveau sur OK. Seul un des deux claviers contrôle ce mode.
<b>Mode Veille -</b>	

## Clavier de l'utilisateur (cont.)

- Après environ 15 secondes d'inactivité du clavier, seul le dernier mode choisi sur le clavier utilisateur est allumé. Appuyer sur un mode ou tourner la bague extérieure pour illuminer tout le clavier.
- Après environ 60 secondes de mise hors tension de la baignoire à hydromassage, le clavier s'assombrit pour conserver l'énergie. Appuyer sur le bouton d'activation ou tourner la bague extérieure pour réactiver le clavier.

## Opération

### Remplir la baignoire à hydromassage

- Tourner complètement la bague du jet vers la gauche. Orienter les buses des jets vers le fond du bassin.

**AVIS :** Ne pas laisser la température de la baignoire à hydromassage excéder 104° F (40°C). Un chauffe-eau maintient automatiquement la température d'eau quand la baignoire à hydromassage est en marche, et tant que la température d'eau ne dépasse pas 104°F (40°C). Le chauffe-eau s'arrêtera aux températures plus hautes.

- Fermer le drain et remplir d'eau la baignoire à hydromassage. Remplir la baignoire d'au moins 2" (5,1 cm) au-dessus des couvercles d'aspiration. Uniquement pour le mode Cascade ou Flexjet, remplir la baignoire avec au moins 2" (5,1 cm) d'eau au-dessus du jet Flexjet le plus haut. Dans tous les modes, remplir la baignoire à hydromassage au-dessus des capteurs de niveau d'eau sur les côtés des Riverjets.
- Utiliser votre main pour tester la température de l'eau pour le confort et la sécurité. Entrer dans la baignoire avec précaution.
- Appuyer sur l'icône de marche pour démarrer la pompe et le chauffe-eau de la baignoire à hydromassage ou tourner la bague extérieure pour accéder au mode voulu.
- Appuyer sur les flèches vers le haut ou le bas pour augmenter ou diminuer le débit d'eau. La barre indicatrice affiche le volume du débit d'eau.
- Ajuster les jets pour un mélange optimal de l'eau et de l'air (si le mode Vague n'est pas activé). Tourner la bague du jet vers la droite pour réduire le débit, ou vers la gauche l'augmenter. Le cas échéant, orienter les jets pour diriger le débit d'eau vers la direction désirée pour optimiser l'action d'hydromassage.

**REMARQUE :** Une minuterie intégrée arrête automatiquement la pompe et le moteur après environ 20 minutes d'opération.

- Pour arrêter le chauffe-eau, tourner la bague extérieure jusqu'à ce que l'icône clignote et appuyer sur OK. Appuyer encore une fois sur OK pour remettre le chauffe-eau en fonction.
- Appuyer sur l'icône de démarrage une deuxième fois pour arrêter la pompe et le chauffe-eau.
- Sortir doucement de la baignoire à hydromassage, et ouvrir le drain pour la vider.

**REMARQUE :** Si la baignoire à hydromassage ne fonctionne pas correctement, consulter la section "Dépannage" de ce guide avant d'appeler un représentant en service qualifié.

### Télécommande

- Se référer au guide du propriétaire emballé avec la télécommande pour le bon fonctionnement.

## Entretien et nettoyage

Pour de meilleurs résultats, prendre ce qui suit en considération lors de l'entretien de votre produit KOHLER:

- Toujours tester la solution de nettoyage sur une surface la moins évidente avant de l'appliquer sur la totalité de la surface.

## Entretien et nettoyage (cont.)

- Essuyer les surfaces et rincer complètement avec de l'eau immédiatement après l'application du nettoyant. Rincer et sécher tout éclaboussement sur les surfaces avoisinantes.
- Ne pas laisser les nettoyants sur les surfaces.
- Utiliser une éponge ou un chiffon doux et humide. Ne jamais utiliser de matériau abrasif tel que brosse ou éponges à récurer pour nettoyer les surfaces.

Pour l'information détaillée de nettoyage et des produits à considérer, visiter [www.kohler.com/clean](http://www.kohler.com/clean). Pour commander des informations d'entretien et de nettoyage, composer le 1-800-456-4537.

## Système de chasse

**REMARQUE :** Purger le système d'hydromassage deux fois par mois ou plus, selon la fréquence d'utilisation.

- Tourner les bagues de garniture du jet complètement dans le sens des aiguilles d'une montre pour supprimer l'admission d'air.
- Remplir la baignoire à hydromassage avec de l'eau chaude au-dessus du niveau des capteurs de jet dorsal, ou laisser l'eau dans la baignoire à hydromassage après usage.
- Ajouter à l'eau 2 petites cuillères (10 ml) d'un détergent pour lave-vaisselle peu moussant et 20 onces (590 ml) d'eau de javel domestique (5% - 6% d'hypochlorite de sodium).
- Faire fonctionner la baignoire à hydromassage pendant 5 à 10 minutes. Arrêter la baignoire à hydromassage et purger l'eau.
- Si désiré, rincer les surfaces de la baignoire avec de l'eau.
- Rincer les surfaces des jets, le robinet, les barres d'appuis et le drain, et sécher avec un chiffon doux.

## Garantie

### GARANTIE LIMITÉE D'UN AN

Les produits de plomberie KOHLER sont garantis contre tout défaut matériel et de fabrication pour un an, à partir de la date de l'installation.

Kohler Co. jugera à sa discrétion, de la réparation, du remplacement ou du réglage approprié et ceci après toute inspection faite par Kohler Co. de tous défauts dus à une utilisation normale et ceci pendant un (1) an à partir de la date d'installation. Kohler Co. n'est pas responsable des coûts de démontage ou d'installation. **L'utilisation de nettoyants à l'intérieur du réservoir annulera la garantie.**

Pour obtenir un service-garantie, contacter Kohler Co. par l'intermédiaire de votre vendeur, plombier, centre de rénovation, revendeur par internet ou par écrit à Kohler Co. à l'attention de: Customer Care Center (Service d'assistance à la clientèle), 444 Highland Drive, Kohler, WI 53044, USA, ou composer le 1-800-4KOHLER (1-800-456-4537) à partir des États-Unis et du Canada, et le 001-877-680-1310 à partir du Mexique.

**LA DURÉE DES GARANTIES TACITES, Y COMPRIS CELLES DE QUALITÉ MARCHANDE ET D'APTITUDE À UN EMPLOI PARTICULIER, SE LIMITE EXPRESSÉMENT À LA DURÉE DE LA PRÉSENTE GARANTIE. KOHLER CO. ET/OU LE REVENDEUR DÉCLINENT TOUTE RESPONSABILITÉ CONTRE LES DOMMAGES PARTICULIERS, IMPRÉVUS OU DE CIRCONSTANCE.** Certains états/provinces ne permettent pas la limitation sur la durée de la garantie implicite, ou l'exclusion ou la limitation de dommages spéciaux, accessoires ou indirects, et, par conséquent, ces limitations et exclusions pourraient ne pas s'appliquer dans votre cas. Cette garantie vous donne des droits légaux spécifiques. Vous pouvez également avoir d'autres droits qui varient d'un état/province à l'autre.

**Ceci constitue la garantie écrite exclusive de Kohler Co.**



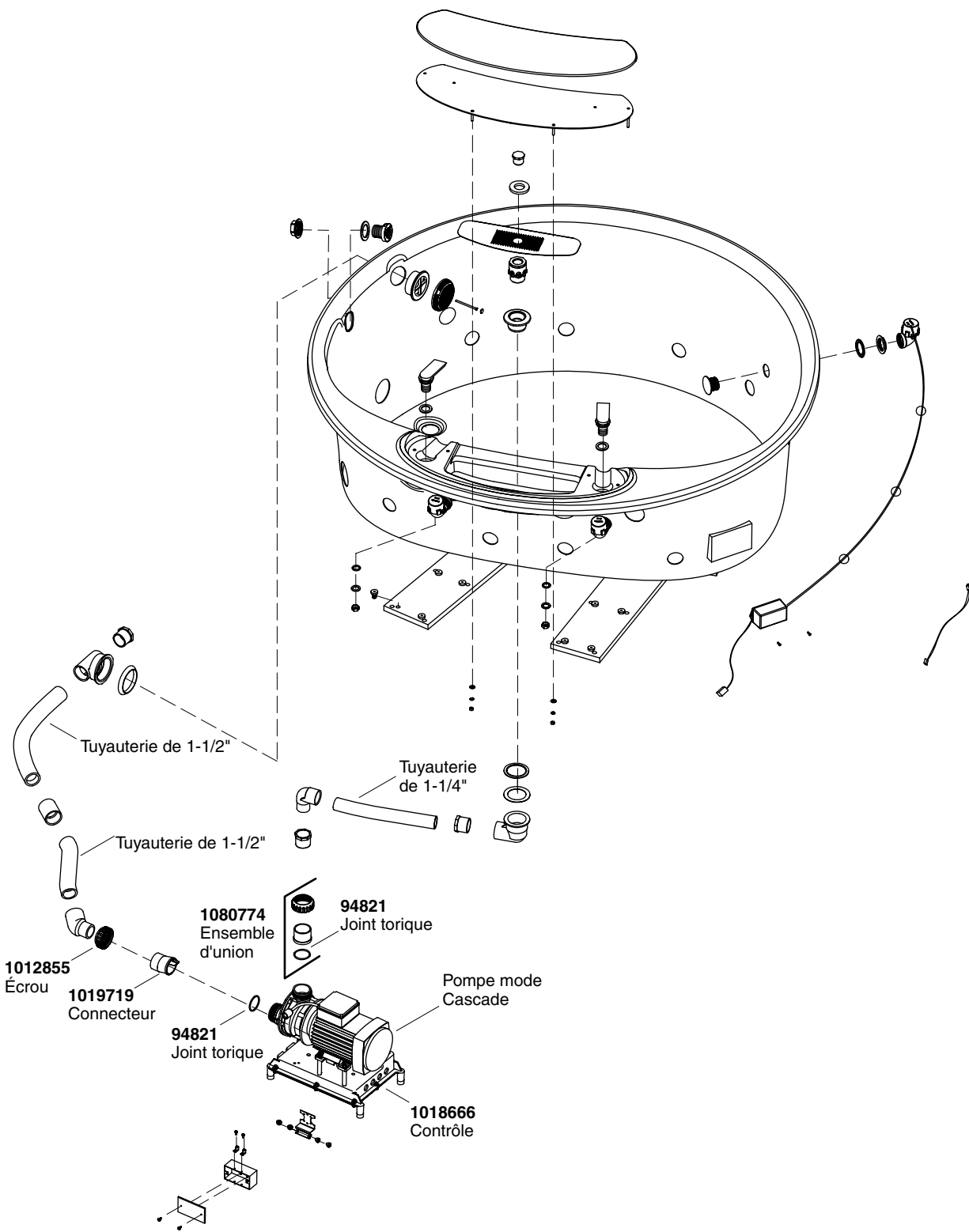
## Dépannage

Ce guide de dépannage est seulement destiné à une aide générale. Seul un technicien agréé Kohler ou un électricien qualifié devrait corriger tous les problèmes électriques. Pour une réparation sous garantie, contacter le vendeur ou distributeur.

Symptômes	Causes probables	Action recommandée
1. Le clavier ne s'illumine pas quand le bouton est pressé ou quand la bague extérieure est tournée.	<p>A. Pas d'alimentation au contrôle.</p> <p>B. Les disjoncteurs GFCI ou RCD se déclenchent.</p> <p>C. Le harnais du câblage du clavier est desserré, débranché ou endommagé.</p> <p>D. Le clavier ne fonctionne pas.</p> <p>E. Le contrôle ne fonctionne pas.</p>	<p>A. Vérifier le câblage et connecter l'alimentation électrique. Si le problème persiste, contacter l'installateur/vendeur.</p> <p>B. Réinitialiser le GFCI ou le RCD.</p> <p>C. Vérifier que les connexions du câblage soient correctes. Remplacer le harnais du câblage si nécessaire. Contacter l'installateur/vendeur.</p> <p>D. Remplacer le clavier. Contacter l'installateur/vendeur.</p> <p>E. Remplacer le contrôle. Contacter l'installateur/vendeur.</p>
2. Le moteur démarre, mais tous les jets ne fonctionnent pas.	<p>A. Le jet est fermé.</p> <p>B. Le jet n'est pas installé correctement.</p> <p>C. Les jets sont bloqués.</p>	<p>A. Tourner la bague du jet vers la gauche pour ouvrir.</p> <p>B. Réinstaller le jet; s'assurer que le joint torique n'est pas endommagé.</p> <p>C. Retirer le blocage.</p>
3. Le clavier est illuminé mais, ne répond pas aux boutons ou bague extérieure.	<p>A. Le programme de contrôle est verrouillé.</p> <p>B. Le harnais du câblage du clavier est desserré, débranché ou endommagé.</p> <p>C. Le clavier ne fonctionne pas.</p> <p>D. Le contrôle ne fonctionne pas.</p>	<p>A. Réinitialiser le GFCI ou le RCD.</p> <p>B. Vérifier que les connexions du câblage soient correctes. Remplacer le harnais du câblage si nécessaire. Contacter l'installateur/vendeur.</p> <p>C. Remplacer le clavier. Contacter l'installateur/vendeur.</p> <p>D. Remplacer le contrôle. Contacter l'installateur/vendeur.</p>
4. La barre d'indication du clavier continue le balayage au démarrage.	<p>A. Le programme de contrôle est verrouillé.</p> <p>B. Le harnais du câblage du clavier est desserré, débranché ou endommagé.</p> <p>C. Le clavier ne fonctionne pas.</p> <p>D. Le contrôle ne fonctionne pas.</p>	<p>A. Réinitialiser le GFCI ou le RCD.</p> <p>B. Vérifier que les connexions du câblage soient correctes. Remplacer le harnais du câblage si nécessaire. Contacter l'installateur/vendeur.</p> <p>C. Remplacer le clavier. Contacter l'installateur/vendeur.</p> <p>D. Remplacer le contrôle. Contacter l'installateur/vendeur.</p>
5. Le clavier est illuminé, mais la pompe de démarrera pas.	<p>A. Le câble d'alimentation de la pompe est desserré, déconnecté ou endommagé.</p> <p>B. Le pompe ne fonctionne pas.</p> <p>C. Le contrôle ne fonctionne pas.</p>	<p>A. Vérifier que les connexions du câblage soient correctes. Si le problème persiste, contacter l'installateur/vendeur.</p> <p>B. Remplacer la pompe. Contacter l'installateur/vendeur.</p> <p>C. Remplacer le contrôle. Contacter l'installateur/vendeur.</p>

<b>Dépannage (cont.)</b>		
<b>Symptômes</b>	<b>Causes probables</b>	<b>Action recommandée</b>
6. Le moteur fonctionne mais la pompe ne démarrera pas (cavitante).	<p>A. Le moteur/pompe est trop élevé.</p> <p>B. Petite fuite d'air à l'entrée de la pompe.</p> <p>C. Le moteur/pompe ne fonctionne pas.</p> <p>D. Le contrôle ne fonctionne pas.</p>	<p>A. Baisser la pompe/contrôle au niveau du plancher.</p> <p>B. Serrer soigneusement le(s) écrou(s) des tuyaux de l'admission de la pompe.</p> <p>C. Remplacer le moteur/la pompe. Contacter l'installateur/vendeur.</p> <p>D. Remplacer le contrôle. Contacter l'installateur/vendeur.</p>
7. Faible débit d'eau des deux orifices de remplissage (si inclus).	<p>A. Les conduites d'alimentation d'eau sont bouchées.</p> <p>B. La valve de transfert n'est pas complètement ouverte.</p>	<p>A. Retirer le blocage.</p> <p>B. Tourner la poignée de la valve de transfert.</p>
8. Peu ou faible débit d'eau de la Cascade.	<p>A. Le conduit d'aspiration ou le réseau sont bouchés.</p> <p>B. Le pompe ne fonctionne pas.</p> <p>C. Le contrôle ne fonctionne pas.</p>	<p>A. Retirer le blocage.</p> <p>B. Remplacer la pompe. Contacter l'installateur/vendeur.</p> <p>C. Remplacer le contrôle. Contacter l'installateur/vendeur.</p>
9. Les jets de style Riverjets fonctionnent, mais les jets Eau vive/Rapides ne fonctionnent pas tels que décrits.	<p>A. Il n'y a pas suffisamment d'eau dans le bassin de la baignoire à hydromassage.</p> <p>B. Le clavier ne fonctionne pas.</p> <p>C. La valve papillon ne fonctionne pas.</p> <p>D. Le contrôle ne fonctionne pas.</p>	<p>A. Remplir la baignoire à hydromassage jusqu'à recouvrir les capteurs de niveau d'eau.</p> <p>B. Remplacer le clavier. Contacter l'installateur/vendeur.</p> <p>C. Vérifier le câblage. Remplacer la valve papillon. Contacter l'installateur/vendeur.</p> <p>D. Remplacer le contrôle. Contacter l'installateur/vendeur.</p>
10. Les flèches haut/bas de contrôle de volume ne changent pas le débit d'eau, comme décrit.	<p>A. Le clavier ne fonctionne pas.</p> <p>B. Le pompe ne fonctionne pas.</p> <p>C. Le contrôle ne fonctionne pas.</p>	<p>A. Vérifier le câblage. Remplacer le clavier. Contacter l'installateur/vendeur.</p> <p>B. Remplacer la pompe. Contacter l'installateur/vendeur.</p> <p>C. Remplacer le contrôle. Contacter l'installateur/vendeur.</p>
11. Le débit d'air à travers les jets ne s'arrête pas lorsque le mode Vague est activé.	<p>A. Le clavier ne fonctionne pas.</p> <p>B. La valve papillon ne fonctionne pas.</p> <p>C. Le contrôle ne fonctionne pas.</p>	<p>A. Vérifier le câblage. Remplacer le clavier. Contacter l'installateur/vendeur.</p> <p>B. Vérifier le câblage. Remplacer la valve papillon. Contacter l'installateur/vendeur.</p> <p>C. Remplacer le contrôle. Contacter l'installateur/vendeur.</p>
12. L'air continue de circuler par un ou plusieurs jets pendant plusieurs secondes après que le mode Tidepool (mode Vague) soit activé.	<p>A. Fonctionnement normal - la circulation d'air cessera en quelques instants.</p>	<p>A. Aucune action requise.</p>

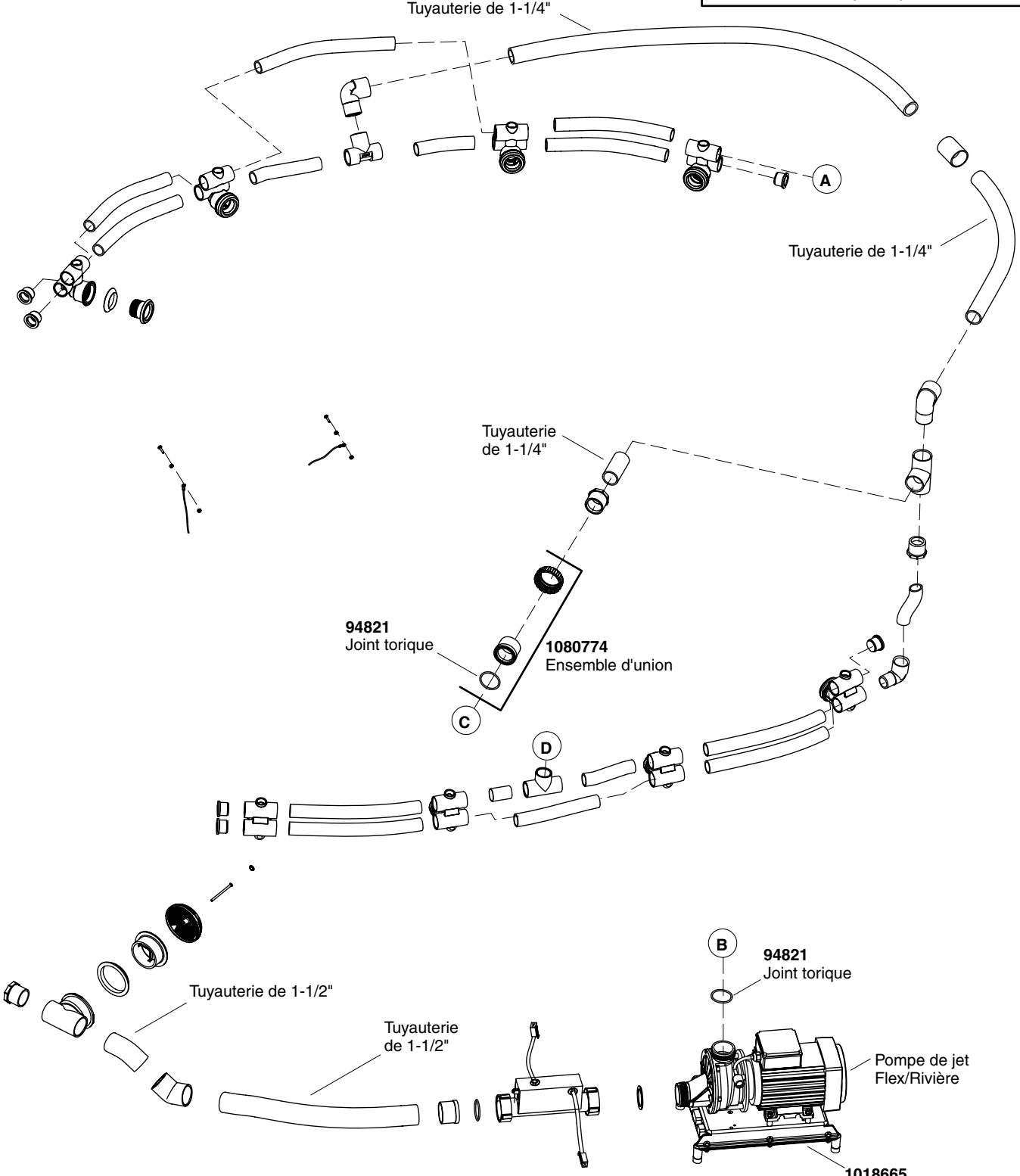
<b>Dépannage (cont.)</b>		
<b>Symptômes</b>	<b>Causes probables</b>	<b>Action recommandée</b>
13. La pompe s'arrête automatiquement avant 18 minutes.	<p><b>A.</b> Les disjoncteurs GFCI ou RCD se déclenchent.</p> <p><b>B.</b> L'aspiration est bloquée.</p> <p><b>C.</b> Les jets sont bloqués.</p> <p><b>D.</b> Moteur surchauffé et système de protection activé.</p>	<p><b>A.</b> Identifier la source du problème puis le corriger. Réinitialiser le GFCI ou le RCD.</p> <p><b>B.</b> Retirer l'obstruction.</p> <p><b>C.</b> Retirer le blocage.</p> <p><b>D.</b> Vérifier s'il y a un blocage à l'aspiration et/ou aux jets. Retirer l'obstruction et laisser le moteur refroidir.</p>
14. La pompe ne s'arrête pas automatiquement après 22 minutes.	<p><b>A.</b> La minuterie de 20 minutes s'arrête par inadvertance.</p>	<p><b>A.</b> Consulter le manuel de service.</p>
15. La pompe ne s'arrêtera pas quand le bouton de marche du clavier est pressé.	<p><b>A.</b> Le clavier ne fonctionne pas.</p> <p><b>B.</b> Le contrôle ne fonctionne pas.</p>	<p><b>A.</b> Remplacer le clavier. Contacter l'installateur/vendeur.</p> <p><b>B.</b> Remplacer le contrôle. Contacter l'installateur/vendeur.</p>
16. La pompe fonctionne, mais la fonction de vitesse variable ne fonctionne pas.	<p><b>A.</b> Le moteur/pompe ne fonctionne pas.</p> <p><b>B.</b> Le contrôle ne fonctionne pas.</p>	<p><b>A.</b> Remplacer le moteur/la pompe. Contacter l'installateur/vendeur.</p> <p><b>B.</b> Remplacer le contrôle. Contacter l'installateur/vendeur.</p>
17. L'eau de la baignoire se refroidit pendant l'opération de la pompe.	<p><b>A.</b> La température de l'eau au-dessus de 104°F (40°C).</p> <p><b>B.</b> Le chauffe-eau est arrêté par le clavier.</p> <p><b>C.</b> Le câblage du chauffe-eau au contrôle est desserré, débranché ou endommagé.</p> <p><b>D.</b> Le chauffe-eau ne fonctionne pas.</p> <p><b>E.</b> Le contrôle ne fonctionne pas.</p>	<p><b>A.</b> Laisser l'eau du bain refroidir.</p> <p><b>B.</b> Mettre le chauffe-eau en marche.</p> <p><b>C.</b> Vérifier que les connexions du câblage soient correctes. Contacter l'installateur/vendeur.</p> <p><b>D.</b> Remplacer le chauffe-eau. Contacter l'installateur/vendeur.</p> <p><b>E.</b> Remplacer le contrôle. Contacter l'installateur/vendeur.</p>
18. Fonctionnement bruyant.	<p><b>A.</b> Les sangles de retenue de la pompe n'ont pas été coupées.</p> <p><b>B.</b> Joint torique sec ou délogé (crissement).</p>	<p><b>A.</b> Couper les sangles de retenue avec des cisailles de ferblantier.</p> <p><b>B.</b> Retirer le jet, remplacer et lubrifier le joint torique, et réinstaller le jet.</p>
19. La télécommande ne fonctionne pas.	<p><b>A.</b> Les piles sont mal installées ou épuisées.</p> <p><b>B.</b> L'antenne du câblage électrique est endommagée.</p> <p><b>C.</b> La télécommande n'est pas correctement programmée.</p> <p><b>D.</b> La télécommande ne fonctionne pas.</p> <p><b>E.</b> Le contrôle ne fonctionne pas.</p>	<p><b>A.</b> Remplacer les piles.</p> <p><b>B.</b> Remplacer le harnais de câblage. Contacter l'installateur/vendeur.</p> <p><b>C.</b> Voir le guide du propriétaire ou le manuel de service.</p> <p><b>D.</b> Remplacer la télécommande.</p> <p><b>E.</b> Remplacer le contrôle. Contacter l'installateur/vendeur.</p>
20. Les lumières de chromothérapie (modèles H2) ne fonctionnent pas.	<p><b>A.</b> Câblage/connexions desserré, déconnecté ou endommagé.</p> <p><b>B.</b> Le contrôle ne fonctionne pas.</p>	<p><b>A.</b> Vérifier que les connexions du câblage soient correctes. Remplacer le câblage si nécessaire. Contacter l'installateur/vendeur.</p> <p><b>B.</b> Remplacer le contrôle. Contacter l'installateur/vendeur.</p>



**\*\*Vous devez spécifier les codes de la finition/couleur lors de la commande.**

## Pièces de rechange

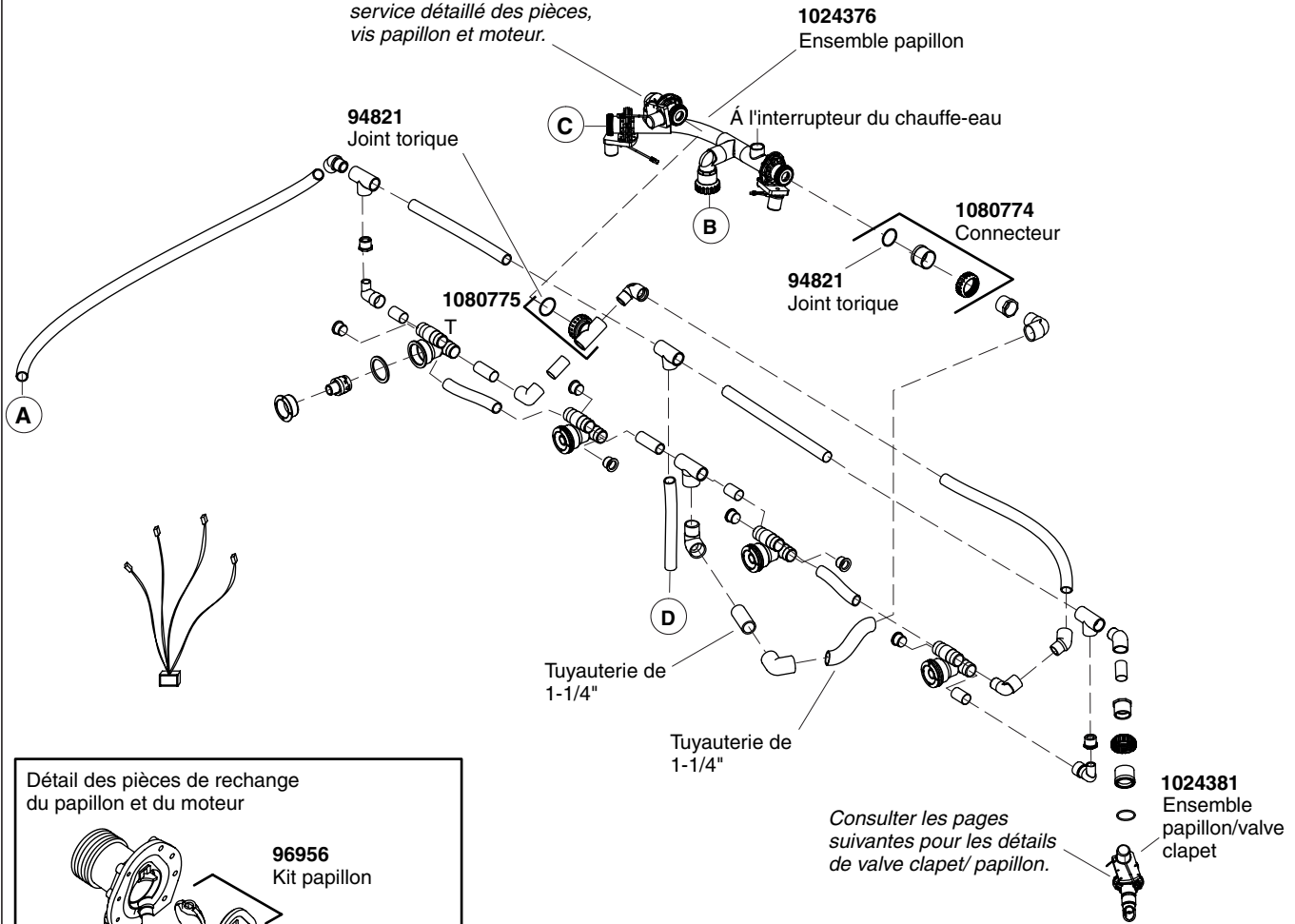
**\*Remarque:** Toute la tuyauterie de 1" à moins qu'indiqué autrement.



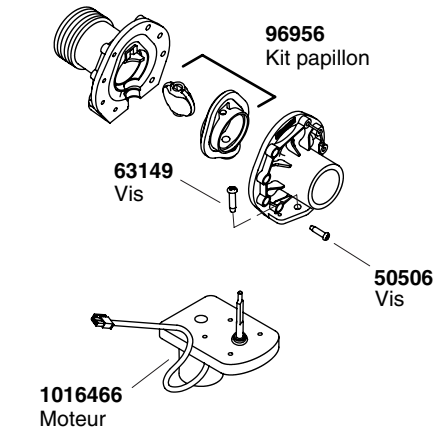
**\*\*Vous devez spécifier les codes de la finition/couleur lors de la commande.**

**\*Remarque:** Toute la tuyauterie de 1" à moins qu'indiqué autrement.

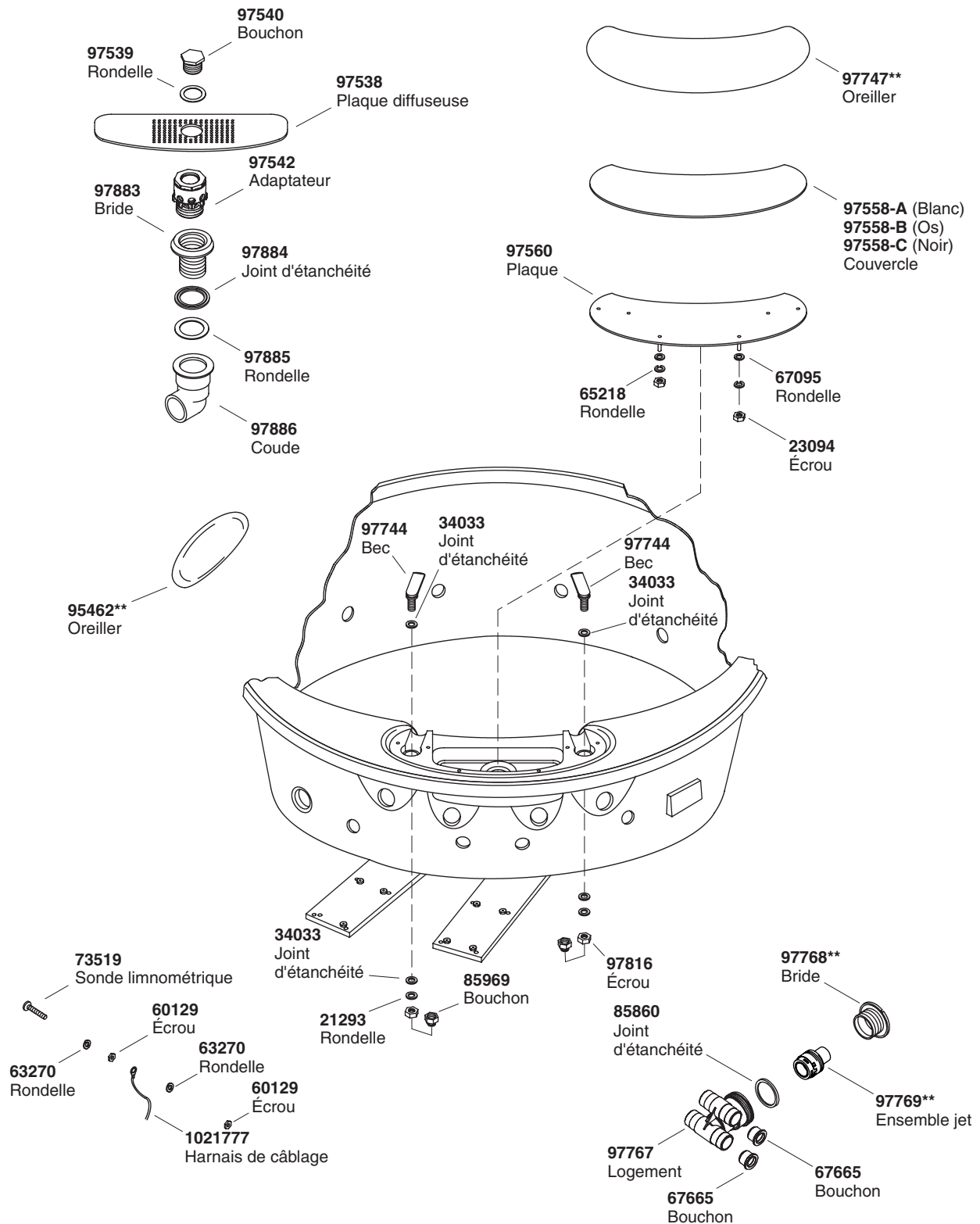
Voir ci-dessous pour le service détaillé des pièces, vis papillon et moteur.



Détail des pièces de rechange du papillon et du moteur

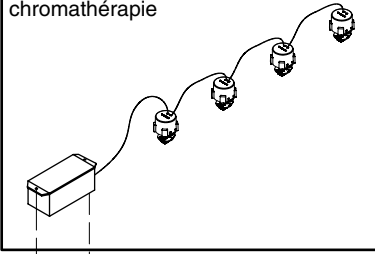


**\*\*Vous devez spécifier les codes de la finition/couleur lors de la commande.**

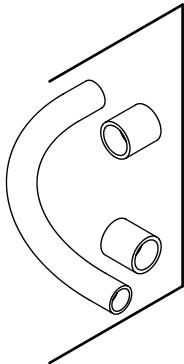


**\*\*Vous devez spécifier les codes de la finition et/ou de la couleur quand vous passez votre commande.**

**1019933**  
Lumières de  
chromathérapie

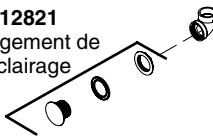


**93192**  
Vis



**93836** (1/2")  
**93838** (1")  
**93839** (1-1/4")  
**94853** (1-1/2")  
Tuyau (avec raccords)

**1012821**  
Logement de  
l'éclairage

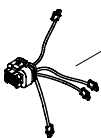


**1010618**  
Coude

**1015012**  
Ensemble des  
connexions électriques



**1015023**  
Ensemble des  
connexions électriques



**1003065**  
Outil d'extraction  
de la bride  
d'aspiration



**73518**  
Bouchon



**93685**  
Logement



**96708**  
Bride



**65886**  
Joint d'étanchéité



**65054\*\***  
Vis



**96895\*\*** (Finitions colorées)  
**65061\*\*** (Finitions métalliques)  
Couvercle



**65226\*\***  
Capuchon de la vis du  
Couvercle d'aspiration



**91967**  
Valve Clapet  
de Non-retour



**1086350**  
Outil d'extraction  
de la bride



**67665**  
Bouchon



**67429**  
Bride



**67889**  
Logement du jet

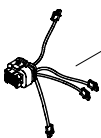
**65885**  
Joint d'étanchéité



**1015012**  
Ensemble des  
connexions électriques



**1015023**  
Ensemble des  
connexions électriques



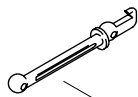
**34353**  
Joint torique



**1045715-P**  
Paquet de  
lubrifiant  
silicone



**30739**  
Outil pour  
le jet

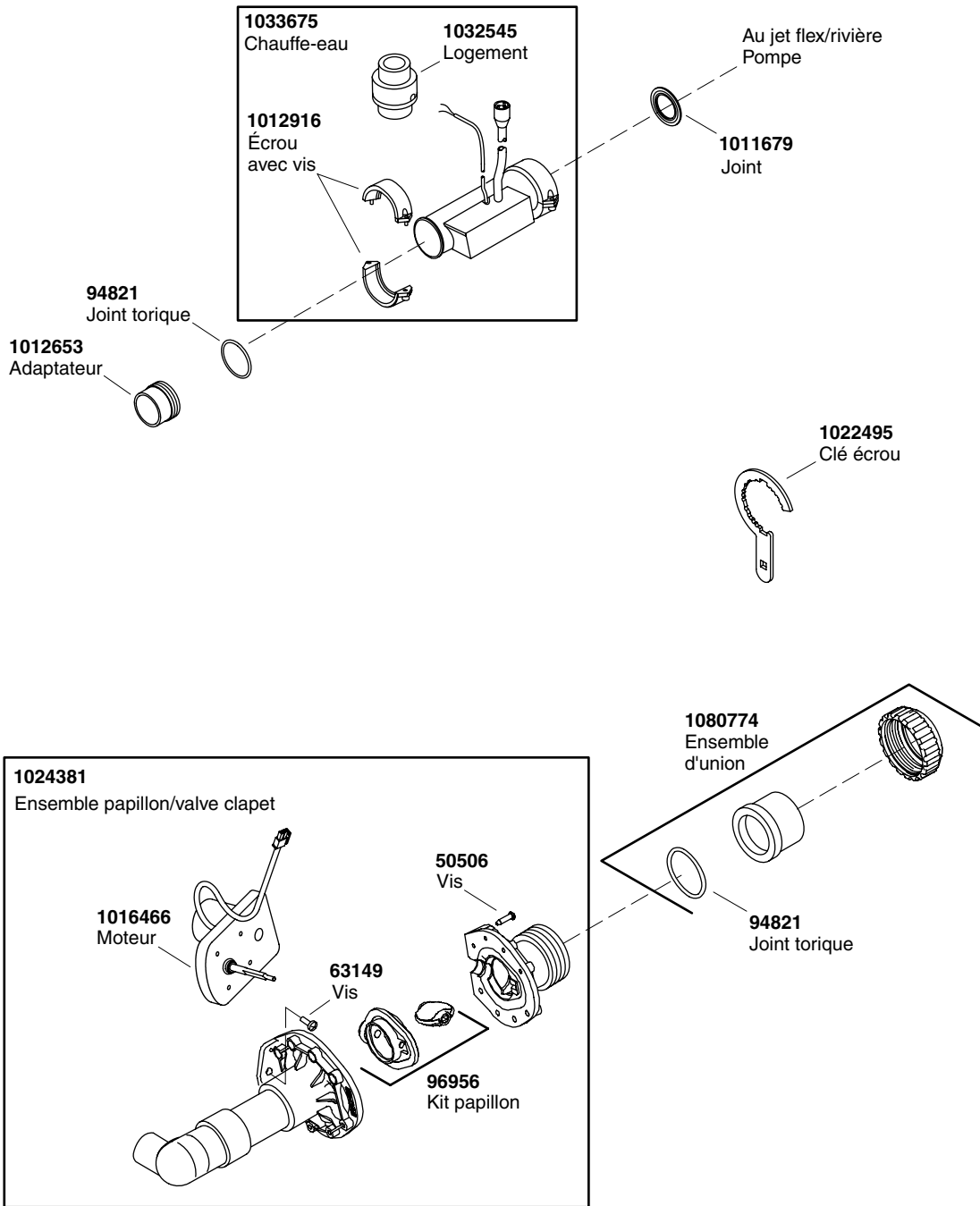


**Mono Jet pour baignoire à jets  
d'air avec 6 jets ou plus**

**88530\*\*** (Finitions colorées)  
**88529\*\*** (Finitions métalliques)  
Jet

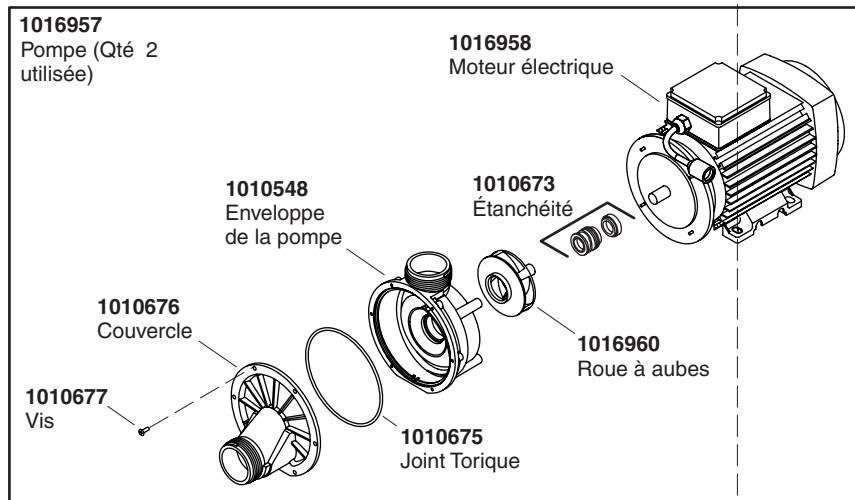
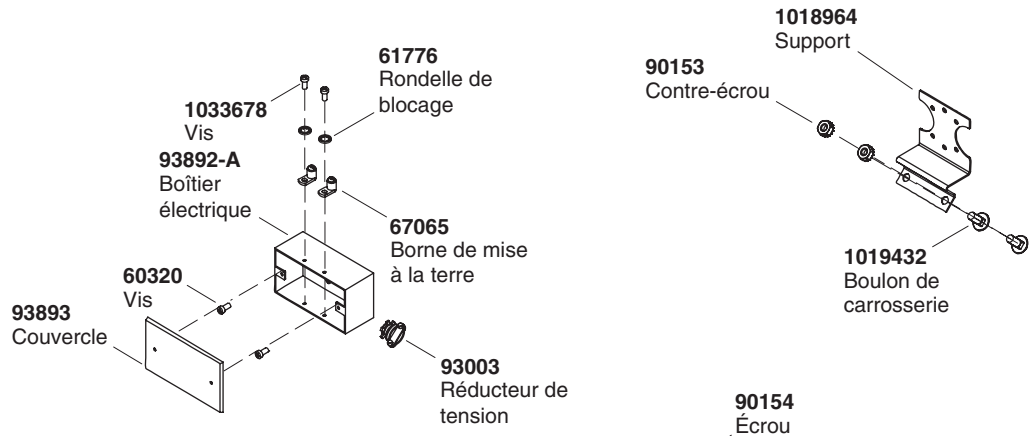
**\*\*Vous devez spécifier les codes de la finition et/ou de la couleur quand vous passez votre commande.**





**\*\*Vous devez spécifier les codes de la finition/couleur lors de la commande.**

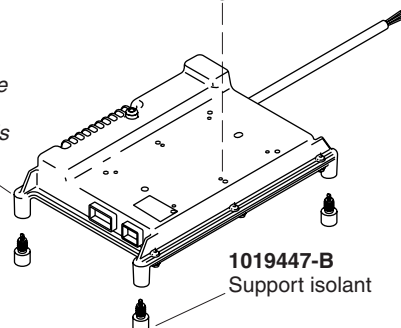
**61845-K**  
Câble de mise à la terre en cuivre



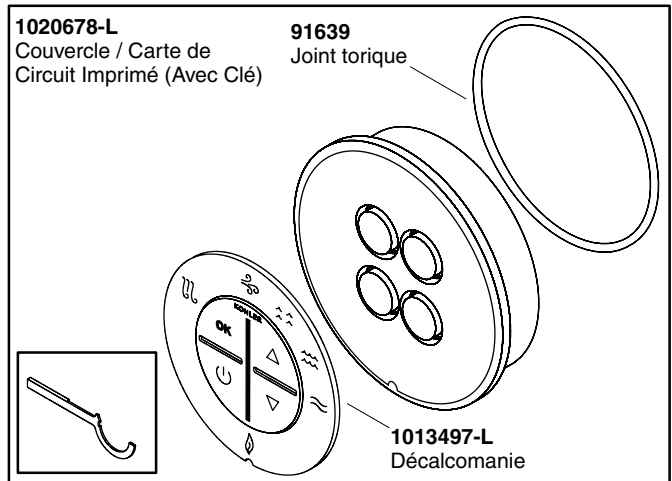
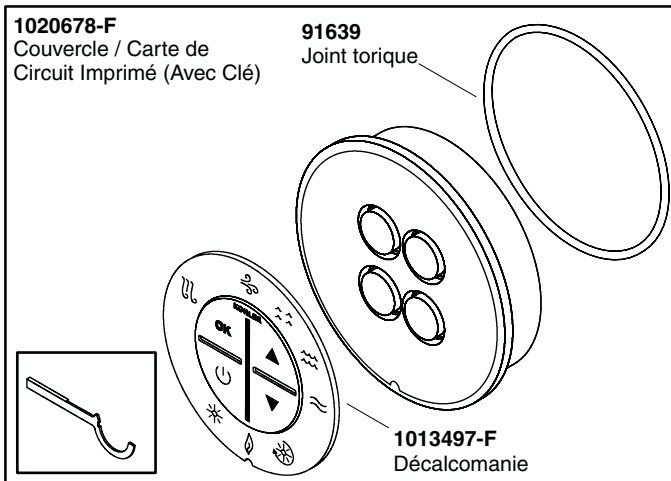
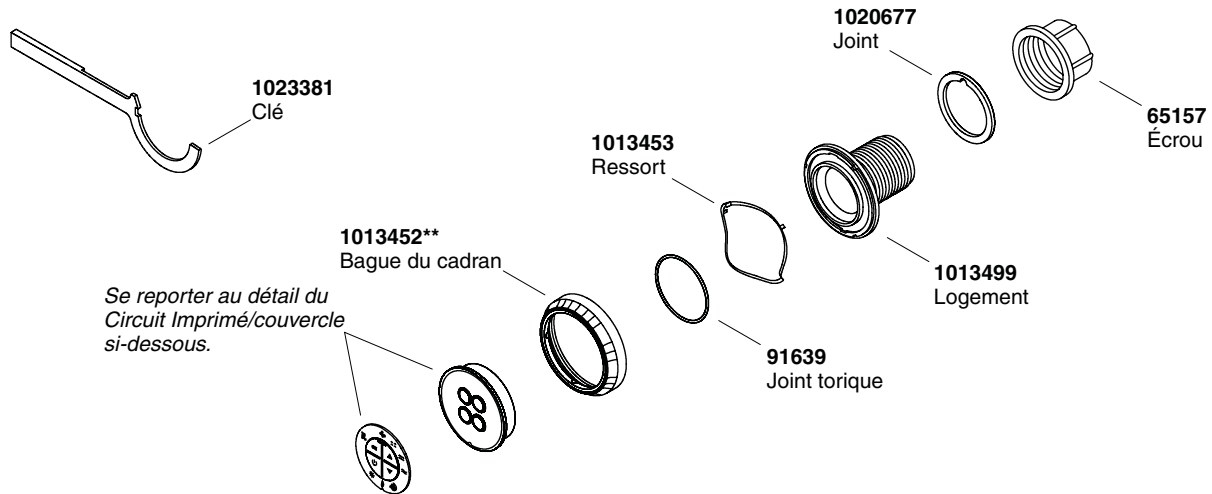
**1019444-A** [3/4" (2 cm)]  
**1019444-H** [2-1/2" (6,4 cm)]  
Espaceur

**1019445-A** [1-3/4" (4,4 cm)]  
**1019445-H** [3-1/2" (8,9 cm)]  
Montant

*Le contrôle varie en fonction de l'usage de la pompe. Se reporter aux détails de l'harnais pour identification correcte.*



**\*\*Vous devez spécifier les codes de la finition et/ou de la couleur quand vous passez votre commande.**



**\*\*Vous devez spécifier les codes de la finition et/ou de la couleur quand vous passez votre commande.**

# Guía del usuario

## Bañera de hidromasaje

### Instrucciones de funcionamiento

## INSTRUCCIONES RELATIVAS AL RIESGO DE INCENDIO, DESCARGA ELÉCTRICA O LESIONES PERSONALES

### LEA Y SIGA TODAS LAS INSTRUCCIONES

### GUARDE ESTAS INSTRUCCIONES



**ADVERTENCIA:** Al usar aparatos eléctricos, siga siempre las precauciones básicas, incluyendo las siguientes:



**PELIGRO: Riesgo de lesiones personales.** Para reducir el riesgo de lesiones, no permita que los niños usen este producto sin la estricta supervisión en todo momento.



**ADVERTENCIA: Riesgo de lesiones personales.** Para evitar lesiones, tenga cuidado al entrar y salir de la bañera de hidromasaje.



**ADVERTENCIA: Riesgo de descarga eléctrica.** No coloque aparatos eléctricos (como secador de pelo, lámparas, teléfono, radio o televisión) a menos de 5' (1,5 m) de esta bañera de hidromasaje.



**ADVERTENCIA: Riesgo de hipertermia.** Las personas bajo tratamiento médico o que padezcan de alguna condición médica deben consultar con un médico antes de utilizar una bañera de hidromasaje equipada con un calentador.



**ADVERTENCIA: Riesgo de quemaduras.** La temperatura del agua en la bañera no debe exceder los 104°F (40°C).

Use esta bañera de hidromasaje únicamente con el fin para el que se ha fabricado, tal como se explica en este manual. No utilice accesorios que no estén recomendados por el fabricante.

No deje caer ni introduzca objetos en ninguna de las aberturas. Mantenga los objetos pequeños tales como los juguetes y accesorios de baño fuera de la bañera de hidromasaje cuando esté en funcionamiento.

No permita que esta unidad funcione sin la tapa protectora (tapadera) en la conexión de succión.

La bañera de hidromasaje debe conectarse solamente a un circuito protegido con un interruptor de circuito con pérdida a tierra (GFCI) o por un dispositivo de corriente residual (RCD). El instalador debe proveer el interruptor de protección GFCI o RCD, cuyo funcionamiento debe probarse de manera rutinaria. Para probar el interruptor de protección GFCI o RCD, oprima el botón de prueba (test). El interruptor de protección GFCI o RCD debe interrumpir la alimentación eléctrica. Oprima el botón (reset) de restablecer la alimentación eléctrica. Esto debe restablecer la alimentación eléctrica. Si el interruptor de protección GFCI o RCD no funciona de este modo, significa que está averiado. Si el interruptor de protección GFCI o RCD, interrumpe la alimentación eléctrica a la bañera sin haber oprimido el botón de prueba, significa que existe corriente a tierra y la posibilidad de una descarga eléctrica. No utilice esta bañera de hidromasaje. Desconecte la bañera de hidromasaje, y antes de usarla, haga que un representante de servicio autorizado solucione el problema.



**ADVERTENCIA: El uso de alcohol, drogas o medicamentos puede aumentar enormemente el riesgo de sufrir hipertermia fatal.** La inmersión prolongada en agua caliente puede producir hipertermia. La hipertermia ocurre cuando la temperatura interna del cuerpo alcanza un nivel superior a la temperatura corporal normal de 98,6°F (37°C). Los síntomas de la hipertermia incluyen

### **Instrucciones de funcionamiento (cont.)**

el aumento de la temperatura corporal interna, mareos, letargo, somnolencia y desfallecimiento. Los efectos de la hipertermia incluyen: (a) incapacidad para percibir calor, (b) incapacidad para reconocer la necesidad de salir de la bañera, (c) inconsciencia de un peligro inminente, (d) daño al feto en mujeres embarazadas, (e) inhabilidad física para salir de la bañera y (f) pérdida del conocimiento con peligro de ahogarse.

Limpie el sistema de hidromasaje dos o más veces al mes, dependiendo del uso, tal como se describe en la sección "Limpie el sistema".

El uso constante de productos de higiene personal que contengan aceites puede dañar los componentes plásticos de la bañera de hidromasaje. No utilice champús a base de productos vegetales ni aceites de baño.

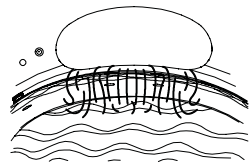
La acción del hidromasaje puede hacer que una pequeña cantidad de líquidos para hacer burbujas, champú, jabón o aceite de baño espume en exceso. Por esta razón, no utilice estos productos durante el funcionamiento de la bañera de hidromasaje.

### **Gracias por elegir los productos Kohler**

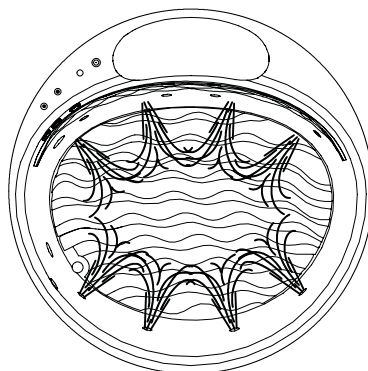
Gracias por elegir los productos Kohler. Su producto de Kohler Company refleja la verdadera pasión por el diseño, la mano de obra, la artesanía y la innovación que forman parte de Kohler Company. Estamos seguros que su confiabilidad y belleza excederán sus más altas expectativas, dándole satisfacción por años.

Toda la información que aparece en la guía está basada en la información más reciente disponible al momento de publicación. En Kohler Company, nos esforzamos por alcanzar nuestra misión de mejorar el nivel del buen vivir de quienes disfrutan de nuestros productos y servicios. Nos reservamos el derecho de efectuar cambios en las características, embalaje o disponibilidad del producto en cualquier momento, sin previo aviso.

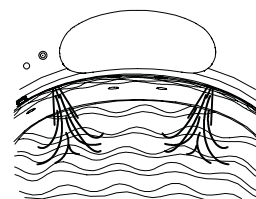
Dedique unos minutos para leer esta guía. Preste especial atención a las instrucciones de cuidado y limpieza.



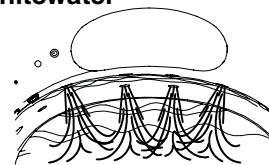
**Modo de cascada**



**Modo de jets Flexjet**



**Jets Riverjet - Modo Whitewater**



**Jets Riverjet - Modo Rapids**

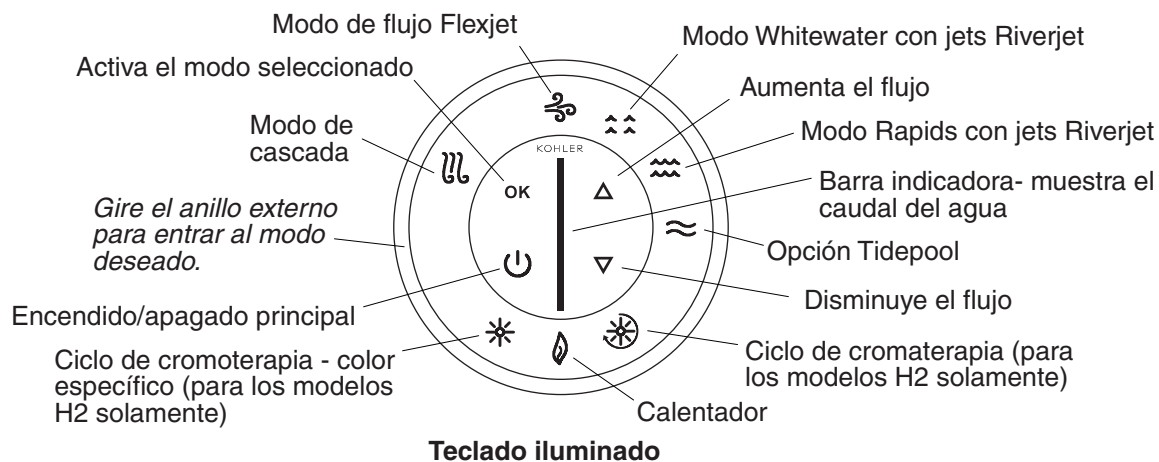
## Su bañera de hidromasaje Kohler

La bañera de hidromasaje está equipada de los siguientes componentes:

- **Bañera** - La bañera actúa como un depósito de agua y es el lugar de acción del hidromasaje.
- **Teclado** - El teclado, de fácil alcance, le permite encender y apagar la bañera de hidromasaje. También le permite acceder a todos los modos de funcionamiento de la bañera de hidromasaje y regular el flujo de agua o velocidad de pulsación. Los modos disponibles se iluminarán en azul. Los modos activos se iluminarán en verde.
- **Motores bomba** - Los motores bomba ofrecen potencia de velocidad variable y silenciosa para hacer circular el agua y crear la acción calmante del hidromasaje. La bañera de hidromasaje emplea dos motores bomba. Un motor bomba alimenta la cascada y la otra bomba impulsa el agua a través de los jets Flexjet y Riverjets.
- **Calentador** - El calentador está diseñado para ayudar a mantener automáticamente la temperatura del agua en hasta 104°F (40°C) a fin de aumentar el placer de la experiencia del hidromasaje. El calentador se enciende automáticamente cuando la bomba de los jets Flexjet/Riverjet esté en marcha y se apaga cuando el motor bomba se apaga. El calentador se puede apagar con el teclado en cualquier momento mientras las bombas estén funcionando.
- **Almohadas** - Las almohadas ofrecen un lugar cómodo para apoyar la cabeza mientras se relaja.
- **Control remoto** - El control remoto impermeable le permite controlar las funciones del hidromasaje desde dentro o fuera de la bañera.

La bañera ofrece varias acciones de hidromasaje diferentes:

- **Modo de cascada** - Una corriente continua de agua (sin calor) fluye detrás del cuello a un caudal medio en segundos. Este modo se puede utilizar solo o con el modo de flujo Flexjet, el modo Riverjet - Whitewater, o el modo Riverjet - Rapids.
- **Modo de Flexjet de hidromasaje** - Una acción inmediata vigorizante de hidromasaje se crea con un caudal medio. Los ocho jets Flexjet se encuentran en la bañera de hidromasaje más abajo que los jets Riverjet. Colocados de manera que optimizan el efecto del hidromasaje, los jets le permiten ajustar el flujo de aire y agua, así como controlar la dirección del flujo como usted lo desee.
- **Jets Riverjet - Modo Whitewater** - Una acción de torbellino de los dos jets Riverjet exteriores se crea detrás del cuello con un caudal medio.
- **Jets Riverjet - Modo Rapids** - Una acción de torbellino de todos los cuatro jets Riverjet se crea detrás del cuello.
- **Tidepool** - Cierra el flujo de aire a los jets para proporcionar un efecto calmante y relajante (no se ilustra). Este modo se puede utilizar en cualquier momento mientras los jets estén en funcionamiento. Este modo no afecta el funcionamiento del modo de cascada.



## Teclado

Los modos disponibles se iluminarán en azul. Los modos activos se iluminarán en verde.

<b>Encendido/ Apagado principal</b>	Enciende y apaga la bomba de la bañera de hidromasaje.
<b>Anillo externo</b>	Gire el anillo externo al modo deseado. El modo seleccionado se encenderá de forma intermitente en azul.
<b>Modo de cascada</b>	Para seleccionar este modo, gire el anillo externo, luego oprima OK. Presione los iconos de las flechas hacia arriba/abajo para aumentar o disminuir el flujo de agua. La barra indicadora mostrará el caudal de flujo de agua. Este modo se puede utilizar solo o con el modo de flujo Flexjet, Riverjet Whitewater, o Riverjet Rapids.
<b>OK</b>	Activa el modo deseado.
<b>Modo de flujo Flexjet</b>	Para seleccionar este modo, gire el anillo externo, luego oprima OK. Presione los iconos de las flechas hacia arriba/abajo para aumentar o disminuir el flujo de agua. La barra indicadora mostrará el caudal de flujo de agua.
<b>Modo Whitewater con jets Riverjet</b>	Para seleccionar este modo, gire el anillo externo, luego oprima OK. Presione los iconos de las flechas hacia arriba/abajo para aumentar o disminuir el flujo de agua. La barra indicadora mostrará el caudal de flujo de agua.
<b>Flecha hacia arriba</b>	Aumenta el flujo de agua.
<b>Modo Rapids con jets Riverjet</b>	Para seleccionar este modo, gire el anillo externo, luego oprima OK. Presione los iconos de las flechas hacia arriba/abajo para aumentar o disminuir el flujo de agua. La barra indicadora mostrará el caudal de flujo de agua.
<b>Barra indicadora</b>	Muestra el caudal del flujo de agua.
<b>Opción Tidepool</b>	Para seleccionar este modo, gire el anillo externo, luego oprima OK. Presione los iconos de las flechas hacia arriba/abajo para aumentar o disminuir el flujo de agua. La barra indicadora mostrará el caudal de flujo de agua. Este modo se puede utilizar en cualquier momento mientras los jets estén en funcionamiento. Este modo no afecta el funcionamiento del modo de cascada. Una vez que este modo se haya activado, es posible que algo de aire fluya por uno o más jets durante un corto periodo de tiempo.
<b>Flecha hacia abajo</b>	Disminuye el flujo de agua.
<b>Ciclo de cromoterapia</b>	Modelos H2: Para seleccionar este modo, gire el anillo externo, luego oprima OK. Las luces de cromoterapia cambian de color automática y continuamente en el ciclo de ocho colores. Un ciclo de ocho colores tarda aproximadamente un minuto. Sólo uno de los dos teclados controla este modo.
<b>Calentador</b>	Se activa automáticamente cuando se selecciona el icono de encendido/apagado. Gire el anillo exterior hasta que el modo de calentador esté parpadeando, luego presione OK para apagar el calentador. Vuelva a presionar OK para volver a encender el calentador.

## Teclado (cont.)

### Color específico de cromoterapia

Modelos H2: Para seleccionar este modo, gire el anillo externo, luego oprima OK. Oprima la flecha hacia arriba o hacia abajo para seleccionar un color, luego oprima OK otra vez. Sólo uno de los dos teclados controla este modo.

### Modo en espera

- Aproximadamente 15 segundos después de inactividad del teclado, sólo se ilumina el último modo seleccionado en el teclado. Oprima uno de los modos o gire el anillo exterior para iluminar todo el teclado.
- Aproximadamente 60 segundos después de apagado el hidromasaje, el teclado se oscurecerá por completo para conservar energía. Oprima el botón de encendido o gire el anillo exterior para reactivar el teclado.

## Funcionamiento

### Llene la bañera de hidromasaje

- Gire la guarnición del jet totalmente hacia la izquierda. Coloque las boquillas de los jets de manera que miren hacia abajo en la bañera.

**AVISO:** La temperatura del agua en la bañera no debe exceder los 104°F (40°C). El calentador mantendrá automáticamente la temperatura del agua mientras la bañera de hidromasaje esté en funcionamiento, siempre y cuando la temperatura no sobrepase los 104°F (40°C). El calentador se apagará a temperaturas superiores.

- Cierre el desagüe, luego llene de agua la bañera de hidromasaje. Sólo para el modo de "Cascada", llene la bañera de hidromasaje a un nivel de por lo menos 2" (5,1 cm) arriba de la parte superior de las tapas de succión. Sólo para el modo de "Cascada" o "Flexjet", sin "Riverjets", llene la bañera de hidromasaje a un nivel de por lo menos 2" (5,1 cm) arriba de la parte superior del jet Flexjet más alto. Para todos los modos, llene la bañera de hidromasaje por encima de los sensores del nivel de agua a cada lado de los jets Riverjet.
- Pruebe la temperatura del agua con la mano para su confort y seguridad. Entre con cuidado a la bañera.
- Oprima el icono de encendido/apagado para encender la bomba y el calentador de la bañera de hidromasaje o gire el anillo externo para entrar al modo deseado.
- Presione los iconos de las flechas hacia arriba/abajo para aumentar o disminuir el flujo de agua. La barra indicadora mostrará el caudal de flujo de agua.
- Ajuste los jets para obtener una mezcla óptima de aire/agua (cuando el modo "Tidepool" no está activado). Gire la guarnición del jet hacia la derecha para reducir el flujo o hacia la izquierda para aumentarlo. Si desea, oriente las boquillas de los jets para dirigir el flujo de agua y aprovechar al máximo la experiencia del hidromasaje.

**NOTA:** El temporizador integrado apaga automáticamente el motor y la bomba después de aproximadamente 20 minutos de funcionamiento.

- Si desea, apague el calentador girando el anillo externo hasta que el botón del calentador se ilumine de forma intermitente, luego oprima "OK". Vuelva a oprimir "OK" para volver a encender el calentador.
- Oprima el icono de encendido/apagado una segunda vez para apagar la bomba de hidromasaje y el calentador.
- Salga con cuidado de la bañera, luego abra el desagüe para vaciar la bañera de hidromasaje.

**NOTA:** Si la bañera de hidromasaje no funciona correctamente, consulte la sección "para resolver problemas" de esta guía antes de llamar a un representante de servicio calificado.

### Control remoto

- Consulte la Guía del Usuario provista con el control remoto para el funcionamiento correcto.



## Cuidado y limpieza

Para obtener los mejores resultados, tenga presente lo siguiente al limpiar su producto KOHLER:

- Siempre pruebe la solución de limpieza en un área oculta antes de aplicarla a toda la superficie.
- Limpie con un trapo las superficies y enjuague completa e inmediatamente con agua después de aplicar el limpiador. Enjuague y seque las superficies cercanas que se hayan rociado.
- No deje por tiempo prolongado los limpiadores en las superficies.
- Utilice una esponja o trapo suave y húmedo. Nunca utilice materiales abrasivos como cepillos o estropajos de tallar para limpiar las superficies.

Para obtener información detallada de limpieza y los limpiadores a considerar, visite [www.kohler.com/clean](http://www.kohler.com/clean). Para solicitar información sobre el cuidado y la limpieza, llame al 1-800-456-4537.

## Limpieza del sistema

**NOTA:** Limpie el sistema de hidromasaje dos o más veces al mes, dependiendo del uso.

- Gire los anillos decorativos de los jets totalmente hacia la derecha para eliminar la inducción de aire.
- Llene la bañera de hidromasaje con agua tibia hasta un nivel por encima de los sensores de nivel de los jets para la espalda o deje el agua en la bañera cuando termine de usarla.
- Añada al agua 2 cucharaditas (10 ml) de detergente para lavaplatos automática que espume poco y 20 onzas (590 ml) de blanqueador para uso doméstico (5% - 6% hipoclorito sódico).
- Haga funcionar la bañera de hidromasaje de 5 a 10 minutos. Apague el hidromasaje y drene el agua.
- Si lo desea, enjuague las superficies de la bañera con agua.
- Enjuague las superficies de los jets, la grifería, las agarraderas y el desagüe y seque con un paño suave.

## Garantía

### GARANTÍA LIMITADA DE UN AÑO

Se garantiza que los productos de plomería KOHLER están libres de defectos de material y mano de obra por un año a partir de la fecha de instalación.

Kohler Co., a su criterio, reparará, reemplazará o realizará los ajustes pertinentes en los casos en que la inspección realizada por Kohler Co. determine que dichos defectos ocurrieron durante el uso normal en el transcurso de un (1) año a partir de la fecha de la instalación. Kohler Co. no se hace responsable de los gastos de desinstalación o instalación. **El uso de limpiadores de inodoro que se colocan dentro del tanque anulará la garantía.**

Para obtener el servicio de garantía, comuníquese con Kohler Co. a través de su distribuidor, contratista de plomería o distribuidor a través de Internet, o escriba directamente a: Kohler Co., Attn.: Customer Care Center, 444 Highland Drive, Kohler, WI 53044, U.S.A. o llame al 1-800-4KOHLER (1-800-456-4537) desde los Estados Unidos y Canadá, o al 001-877-680-1310 desde México.

**TODA GARANTÍA IMPLÍCITA EN RELACIÓN A PRODUCTOS DE USO COMERCIAL, INCLUYENDO LA COMERCIALIZACIÓN E IDONEIDAD DEL PRODUCTO PARA UN USO DETERMINADO, SE LIMITA EXPRESAMENTE A LA DURACIÓN DE LA PRESENTE GARANTÍA. KOHLER CO. Y/O EL VENDEDOR NO SE HACEN RESPONSABLES POR CONCEPTO DE DAÑOS PARTICULARES, INCIDENTALES O INDIRECTOS.** Algunos estados/provincias no permiten limitaciones en cuanto a la duración de una garantía implícita o a la exclusión o limitación de daños particulares, incidentales o indirectos, por lo que estas limitaciones y exclusiones pueden no aplicar a su caso. Esta garantía le otorga ciertos derechos legales específicos. Además, usted puede tener otros derechos que varían de estado a estado y provincia a provincia.

**El presente documento constituye la garantía exclusiva por escrito de Kohler Co.**

## Garantía

KOHLER CO.

Al adquirir el producto, se recomienda verificar que todos los accesorios y componentes estén completos en la caja.

Kohler Co. garantiza que el material y la mano de obra de este producto están libres de defectos, por un (1) año, a partir de la fecha de compra que aparece en la factura o recibo.

1. Kohler Co. prestará servicio únicamente a los productos comercializados a través de sus distribuidores autorizados.
2. A fin de obtener el servicio de garantía, favor de presentar la factura de compra y la garantía correspondiente.
3. Kohler Co., a través de sus distribuidores autorizados, se compromete a reparar el producto defectuoso o a reemplazarlo por uno nuevo o equivalente (en caso de que el producto esté descontinuado) cuando no sea posible la reparación, sin ningún cargo al consumidor.
4. El tiempo de reparación no excederá de seis (6) semanas, a partir de la fecha de recepción del producto.
5. Se recomienda al consumidor que conserve el recibo o factura de compra como protección adicional, pues el mismo puede sustituir a la garantía, en caso de que exista discrepancia en cuanto a la validez de la misma.

### EXCEPCIONES Y RESTRICCIONES

La garantía no tendrá validez en los siguientes casos:

1. Cuando el producto no se haya utilizado conforme a las instrucciones de uso y funcionamiento incluidas en el manual del usuario o en las instrucciones de instalación y cuando no se hayan observado las recomendaciones y advertencias allí contenidas.
2. Cuando el producto se haya modificado o desmantelado parcial o totalmente; o manipulado de manera negligente y, como consecuencia, haya sufrido daños atribuibles al consumidor, persona o herrajes no autorizados por Kohler Co.
3. Esta garantía no cubre los daños que resulten de desastres naturales, tales como incendios o casos de fuerza mayor, incluyendo inundaciones, terremotos, tormentas eléctricas, etc. Para obtener una lista de distribuidores cerca de usted y así hacer valer sus derechos bajo esta garantía, llame al 001-877-680-1310.

KOHLER CO., KOHLER, WI 53044 U.S.A.

### IMPORTADOR:

INTERNACIONAL DE CERÁMICA, S.A.B. DE C.V.

AV. CARLOS PACHECO NO. 7200

CHIHUAHUA, CHIH., MÉXICO C.P. 31060

TEL: 52 (14) 29-11-11

## Procedimiento para resolver problemas

Esta guía para resolver problemas está diseñada únicamente como ayuda general. Todos los problemas eléctricos deben ser resueltos por un representante de servicio autorizado de Kohler o un electricista calificado. Para obtener servicio cubierto por la garantía, póngase en contacto con el vendedor o el distribuidor mayorista.

**Procedimiento para resolver problemas (cont.)**

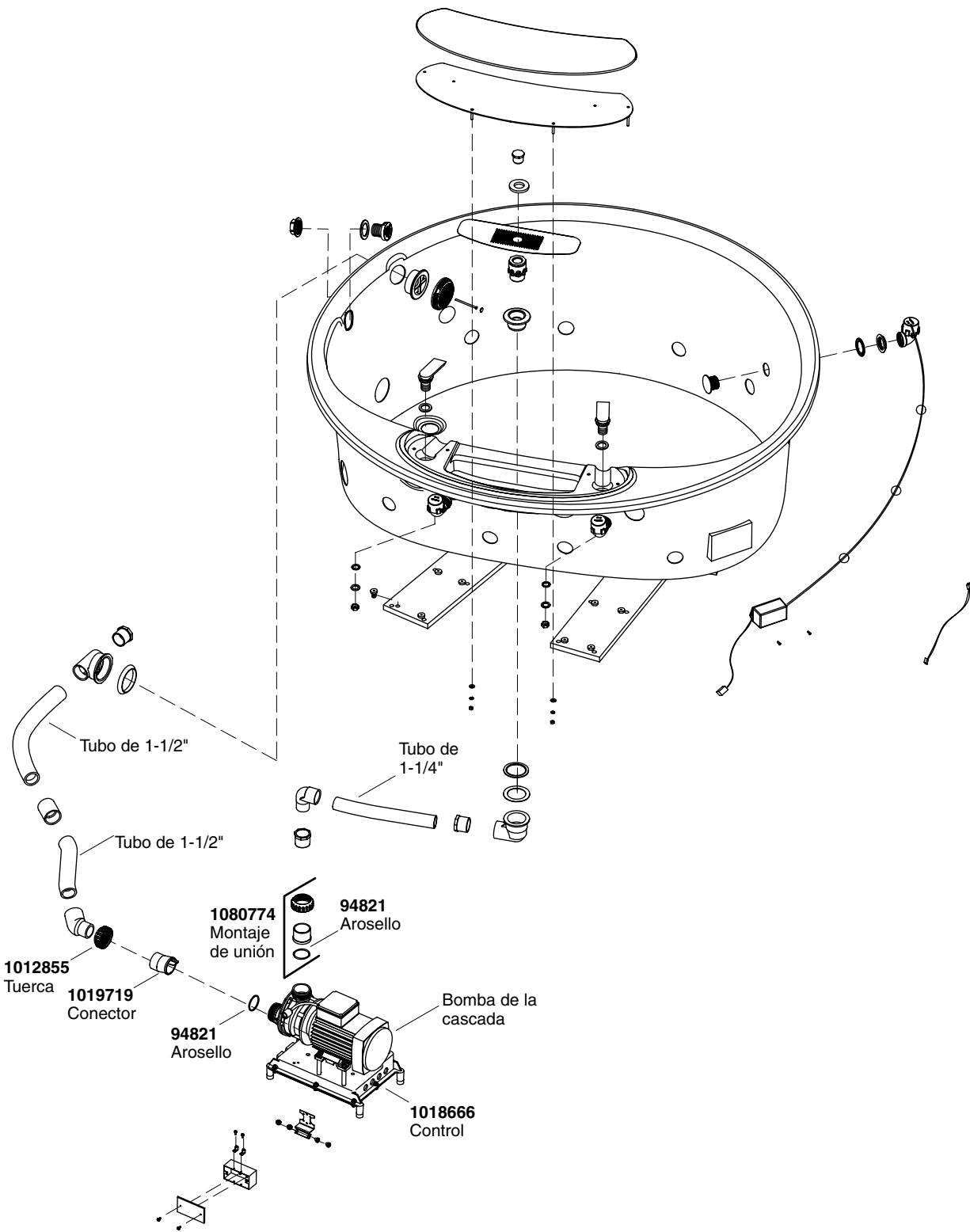
<b>Síntomas</b>	<b>Causas probables</b>	<b>Acción recomendada</b>
1. El teclado no se ilumina cuando se oprime el botón de encendido o se hace girar el anillo externo.	<p><b>A.</b> El control no tiene alimentación eléctrica.</p> <p><b>B.</b> El interruptor GFCI o RCD se ha disparado.</p> <p><b>C.</b> El arnés de cables del teclado al control está suelto, desconectado o dañado.</p> <p><b>D.</b> El teclado no funciona.</p> <p><b>E.</b> El control no funciona.</p>	<p><b>A.</b> Verifique el cableado y conecte el suministro eléctrico. Si el problema persiste, comuníquese con el instalador/distribuidor.</p> <p><b>B.</b> Oprima el botón de restablecer el interruptor GFCI o RCD.</p> <p><b>C.</b> Revise que los cables estén correctamente conectados. Reemplace el arnés de cables de ser necesario. Consulte al vendedor/instalador.</p> <p><b>D.</b> Reemplace el teclado. Consulte al vendedor/instalador.</p> <p><b>E.</b> Reemplace el control. Consulte al vendedor/instalador.</p>
2. El motor se enciende, pero no todos los jets funcionan.	<p><b>A.</b> El jet está cerrado.</p> <p><b>B.</b> El jet no está instalado correctamente.</p> <p><b>C.</b> Los jets están obstruidos.</p>	<p><b>A.</b> Gire la guarnición del jet hacia la izquierda para abrirlo.</p> <p><b>B.</b> Vuelva a instalar el jet; revise que el arosello (O-ring) no esté dañado.</p> <p><b>C.</b> Elimine la obstrucción.</p>
3. El teclado está iluminado, pero no responde a los botones o anillo externo.	<p><b>A.</b> El programa del control está bloqueado.</p> <p><b>B.</b> El arnés de cables del teclado al control está suelto, desconectado o dañado.</p> <p><b>C.</b> El teclado no funciona.</p> <p><b>D.</b> El control no funciona.</p>	<p><b>A.</b> Oprima el botón de restablecer el interruptor GFCI o RCD.</p> <p><b>B.</b> Revise que los cables estén correctamente conectados. Reemplace el arnés de cables de ser necesario. Consulte al vendedor/instalador.</p> <p><b>C.</b> Reemplace el teclado. Consulte al vendedor/instalador.</p> <p><b>D.</b> Reemplace el control. Consulte al vendedor/instalador.</p>
4. Al encender la unidad, la barra indicadora del teclado continúa en modo de búsqueda.	<p><b>A.</b> El programa del control está bloqueado.</p> <p><b>B.</b> El arnés de cables del teclado al control está suelto, desconectado o dañado.</p> <p><b>C.</b> El teclado no funciona.</p> <p><b>D.</b> El control no funciona.</p>	<p><b>A.</b> Oprima el botón de restablecer el interruptor GFCI o RCD.</p> <p><b>B.</b> Revise que los cables estén correctamente conectados. Reemplace el arnés de cables de ser necesario. Consulte al vendedor/instalador.</p> <p><b>C.</b> Reemplace el teclado. Consulte al vendedor/instalador.</p> <p><b>D.</b> Reemplace el control. Consulte al vendedor/instalador.</p>
5. El teclado está iluminado pero la bomba no se enciende.	<p><b>A.</b> El cable eléctrico de la bomba al control está suelto, desconectado o dañado.</p> <p><b>B.</b> La bomba no funciona.</p> <p><b>C.</b> El control no funciona.</p>	<p><b>A.</b> Revise que los cables estén correctamente conectados. Si el problema persiste, comuníquese con el instalador/distribuidor.</p> <p><b>B.</b> Reemplace la bomba. Consulte al vendedor/instalador.</p> <p><b>C.</b> Reemplace el control. Consulte al vendedor/instalador.</p>

**Procedimiento para resolver problemas (cont.)**

<b>Síntomas</b>	<b>Causas probables</b>	<b>Acción recomendada</b>
6. El motor funciona pero la bomba no hace el cebado (se produce cavitación).	<p><b>A.</b> El motor/bomba se ha acuñado demasiado alto.</p> <p><b>B.</b> Pequeña fuga de aire en la entrada de la bomba.</p> <p><b>C.</b> El motor/bomba no funciona.</p> <p><b>D.</b> El control no funciona.</p>	<p><b>A.</b> Baje la bomba/control al nivel del subpiso.</p> <p><b>B.</b> Apriete firmemente la(s) tuerca(s) del lado de admisión de la bomba.</p> <p><b>C.</b> Reemplace el motor/bomba. Consulte al vendedor/instalador.</p> <p><b>D.</b> Reemplace el control. Consulte al vendedor/instalador.</p>
7. Flujo escaso o no hay flujo de los puertos duales de llenado (de estar incluidos).	<p><b>A.</b> Las tuberías de suministro de agua están obstruidas.</p> <p><b>B.</b> La válvula de transferencia no está totalmente abierta.</p>	<p><b>A.</b> Elimine la obstrucción.</p> <p><b>B.</b> Gire la manija de la válvula de transferencia.</p>
8. Flujo escaso o no hay flujo desde la cascada.	<p><b>A.</b> La succión o las tuberías están obstruidas.</p> <p><b>B.</b> La bomba no funciona.</p> <p><b>C.</b> El control no funciona.</p>	<p><b>A.</b> Elimine la obstrucción.</p> <p><b>B.</b> Reemplace la bomba. Consulte al vendedor/instalador.</p> <p><b>C.</b> Reemplace el control. Consulte al vendedor/instalador.</p>
9. Los jets Riverjet funcionan, pero los jets Whitewater/Rapids no funcionan como se describe.	<p><b>A.</b> Insuficiente agua en la bañera de hidromasaje.</p> <p><b>B.</b> El teclado no funciona.</p> <p><b>C.</b> La válvula de mariposa no funciona.</p> <p><b>D.</b> El control no funciona.</p>	<p><b>A.</b> Llene la bañera de hidromasaje hasta que el agua cubra los sensores de agua.</p> <p><b>B.</b> Reemplace el teclado. Consulte al vendedor/instalador.</p> <p><b>C.</b> Revise el cableado. Reemplace la válvula de mariposa. Consulte al vendedor/instalador.</p> <p><b>D.</b> Reemplace el control. Consulte al vendedor/instalador.</p>
10. Las flechas hacia arriba/abajo del control del caudal no cambian el flujo de agua como se describe.	<p><b>A.</b> El teclado no funciona.</p> <p><b>B.</b> La bomba no funciona.</p> <p><b>C.</b> El control no funciona.</p>	<p><b>A.</b> Revise el cableado. Reemplace el teclado. Consulte al vendedor/instalador.</p> <p><b>B.</b> Reemplace la bomba. Consulte al vendedor/instalador.</p> <p><b>C.</b> Reemplace el control. Consulte al vendedor/instalador.</p>
11. El flujo de aire a través de los jets no se detiene cuando se activa el modo Tidepool.	<p><b>A.</b> El teclado no funciona.</p> <p><b>B.</b> La válvula de mariposa no funciona.</p> <p><b>C.</b> El control no funciona.</p>	<p><b>A.</b> Revise el cableado. Reemplace el teclado. Consulte al vendedor/instalador.</p> <p><b>B.</b> Revise el cableado. Reemplace la válvula de mariposa. Consulte al vendedor/instalador.</p> <p><b>C.</b> Reemplace el control. Consulte al vendedor/instalador.</p>
12. El aire sigue fluyendo de uno o más jets durante varios segundos después de activar el modo Tidepool.	<p><b>A.</b> Operación normal - el aire dejará de fluir en poco tiempo.</p>	<p><b>A.</b> No es necesario hacer nada.</p>

**Procedimiento para resolver problemas (cont.)**

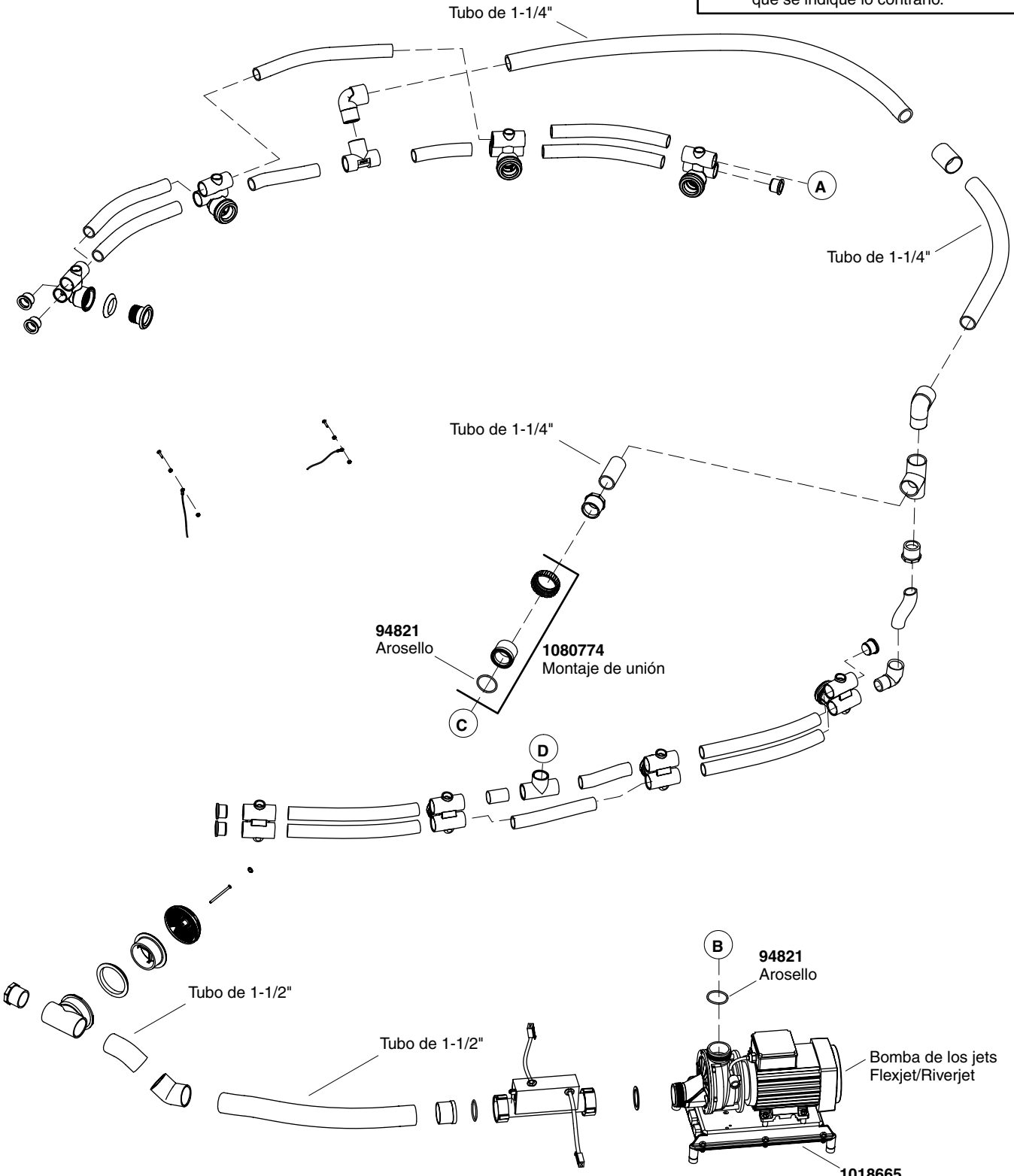
<b>Síntomas</b>	<b>Causas probables</b>	<b>Acción recomendada</b>
13. La bomba se detiene antes de funcionar durante 18 minutos.	<p><b>A.</b> El interruptor GFCI o RCD se ha disparado.</p> <p><b>B.</b> La succión está obstruida.</p> <p><b>C.</b> Los jets están obstruidos.</p> <p><b>D.</b> El motor se ha sobrecalentado, activando el dispositivo de protección.</p>	<p><b>A.</b> Identifique la causa de la falla y corrija. Oprima el botón de restablecer el interruptor GFCI o RCD.</p> <p><b>B.</b> Elimine la obstrucción.</p> <p><b>C.</b> Elimine la obstrucción.</p> <p><b>D.</b> Verifique que no haya obstrucciones en la succión y/o jets. Elimine la obstrucción y deje enfriar el motor.</p>
14. La bomba no se apaga automáticamente después de 22 minutos.	<p><b>A.</b> El temporizador de 20 minutos se ha desactivado inadvertidamente.</p>	<p><b>A.</b> Consulte el manual de mantenimiento.</p>
15. La bomba no se apaga cuando se oprime el botón de encendido/apagado en el teclado.	<p><b>A.</b> El teclado no funciona.</p> <p><b>B.</b> El control no funciona.</p>	<p><b>A.</b> Reemplace el teclado. Consulte al vendedor/instalador.</p> <p><b>B.</b> Reemplace el control. Consulte al vendedor/instalador.</p>
16. La bomba funciona pero la opción de velocidad variable no funciona.	<p><b>A.</b> El motor/bomba no funciona.</p> <p><b>B.</b> El control no funciona.</p>	<p><b>A.</b> Reemplace el motor/bomba. Consulte al vendedor/instalador.</p> <p><b>B.</b> Reemplace el control. Consulte al vendedor/instalador.</p>
17. El agua de la bañera se enfría mientras la bomba está funcionando.	<p><b>A.</b> La temperatura del agua sobrepasa los 104°F (40°C).</p> <p><b>B.</b> El botón del calentador está apagado en el teclado.</p> <p><b>C.</b> El cable que existe entre el calentador y el control está suelto, desconectado o dañado.</p> <p><b>D.</b> El calentador no funciona.</p> <p><b>E.</b> El control no funciona.</p>	<p><b>A.</b> Deje enfriar el agua de la bañera.</p> <p><b>B.</b> Encienda el calentador.</p> <p><b>C.</b> Revise que los cables estén correctamente conectados. Consulte al vendedor/instalador.</p> <p><b>D.</b> Reemplace el calentador. Consulte al vendedor/instalador.</p> <p><b>E.</b> Reemplace el control. Consulte al vendedor/instalador.</p>
18. Funcionamiento ruidoso.	<p><b>A.</b> Las cintas metálicas de la bomba no se han cortado.</p> <p><b>B.</b> El arosello (O-ring) del jet está mal colocado o seco (ruidoso).</p>	<p><b>A.</b> Corte las cintas metálicas con unas tijeras para chapa.</p> <p><b>B.</b> Extraiga el jet, reemplace y lubrique el arosello (O-ring); vuelva a instalar el jet.</p>
19. El control remoto no funciona.	<p><b>A.</b> Pilas mal instaladas o descargadas.</p> <p><b>B.</b> La antena del arnés de cables está dañada.</p> <p><b>C.</b> El control remoto no se ha programado correctamente.</p> <p><b>D.</b> El control remoto no funciona.</p> <p><b>E.</b> El control no funciona.</p>	<p><b>A.</b> Reemplace las pilas.</p> <p><b>B.</b> Reemplace el arnés de cables. Consulte al vendedor/instalador.</p> <p><b>C.</b> Consulte la guía del usuario o el manual de servicio.</p> <p><b>D.</b> Reemplace el control remoto.</p> <p><b>E.</b> Reemplace el control. Consulte al vendedor/instalador.</p>
20. Las luces de cromoterapia (modelos H2) no funcionan.	<p><b>A.</b> Los cables/conexiones están flojos, desconectados o dañados.</p> <p><b>B.</b> El control no funciona.</p>	<p><b>A.</b> Revise que los cables estén correctamente conectados. Reemplace los cables de ser necesario. Consulte al vendedor/instalador.</p> <p><b>B.</b> Reemplace el control. Consulte al vendedor/instalador.</p>



**\*\*Se debe especificar el código del acabado/color con el pedido.**

## Piezas de repuesto

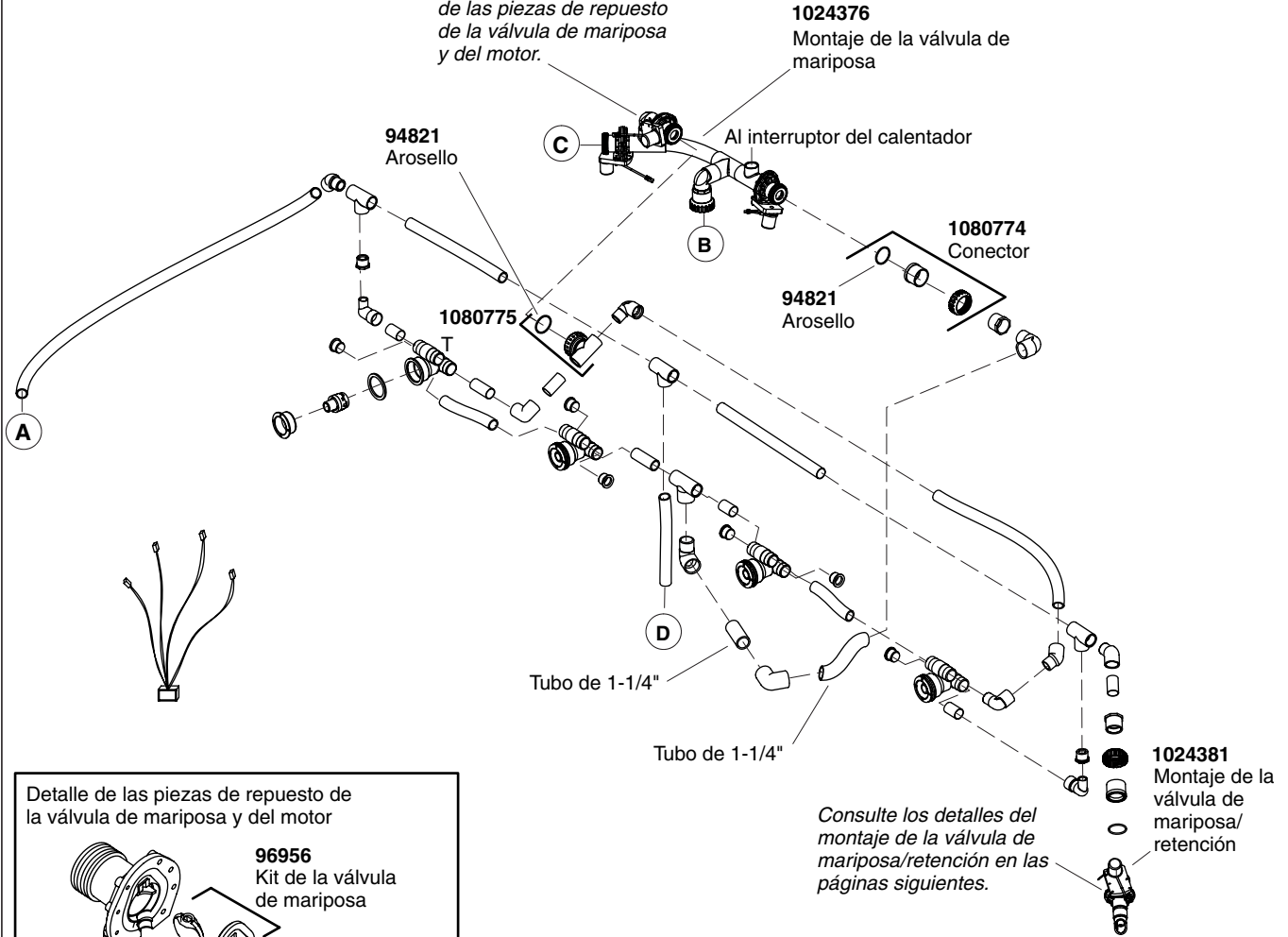
**\*Nota:** Todos los tubos son de 1" a menos que se indique lo contrario.



**\*\*Se debe especificar el código del acabado/color con el pedido.**

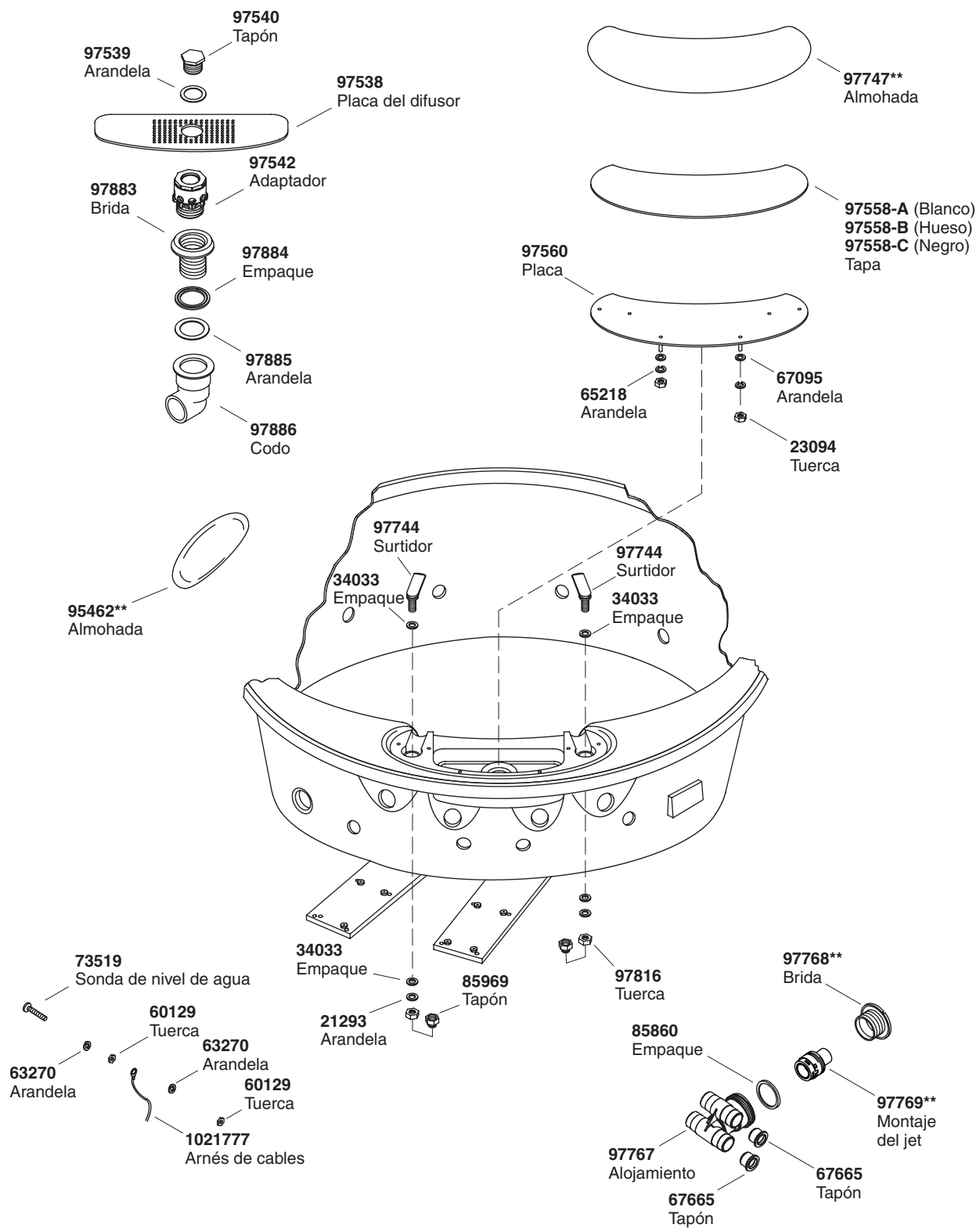
**\*Nota:** Todos los tubos son de 1" a menos que se indique lo contrario.

*Vea más abajo el detalle de las piezas de repuesto de la válvula de mariposa y del motor.*



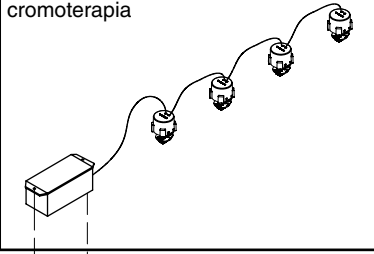
**\*\*Se debe especificar el código del acabado/color con el pedido.**



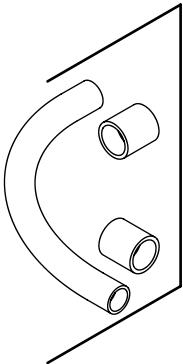


**\*\*Se debe especificar el código del acabado/color con el pedido.**

**1019933**  
Luces de cromoterapia



**93192**  
Tornillo



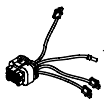
**93836** (1/2")  
**93838** (1")  
**93839** (1-1/4")  
**94853** (1-1/2")  
Tubo (con empalmes)

**1012821**  
Alojamiento de la luz

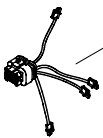


**1010618**  
Codo

**1015012**  
Montaje del enchufe/cable



**1015023**  
Montaje del enchufe/cable



**1003065**  
Herramienta para extraer la brida de succión



**73518**  
Tapón



**93685**  
Alojamiento



**96708**  
Brida



**65886**  
Empaque



**65054\*\***  
Tornillo



**96895\*\*** (Acabados de color)  
**65061\*\*** (Acabados metálicos)  
Tapa



**65226\*\***  
Tapón de la tapa de succión

**91967**  
Válvula de retención



**1086350**  
Herramienta para extraer la brida



**67665**  
Tapón



**67429**  
Brida

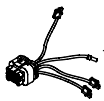


**67889**  
Alojamiento del jet

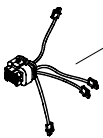
**65885**  
Empaque



**1015012**  
Montaje del enchufe/cable



**1015023**  
Montaje del enchufe/cable



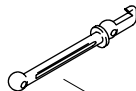
**34353**  
Arosello



**1045715-P**  
Paquete de lubricante de silicona



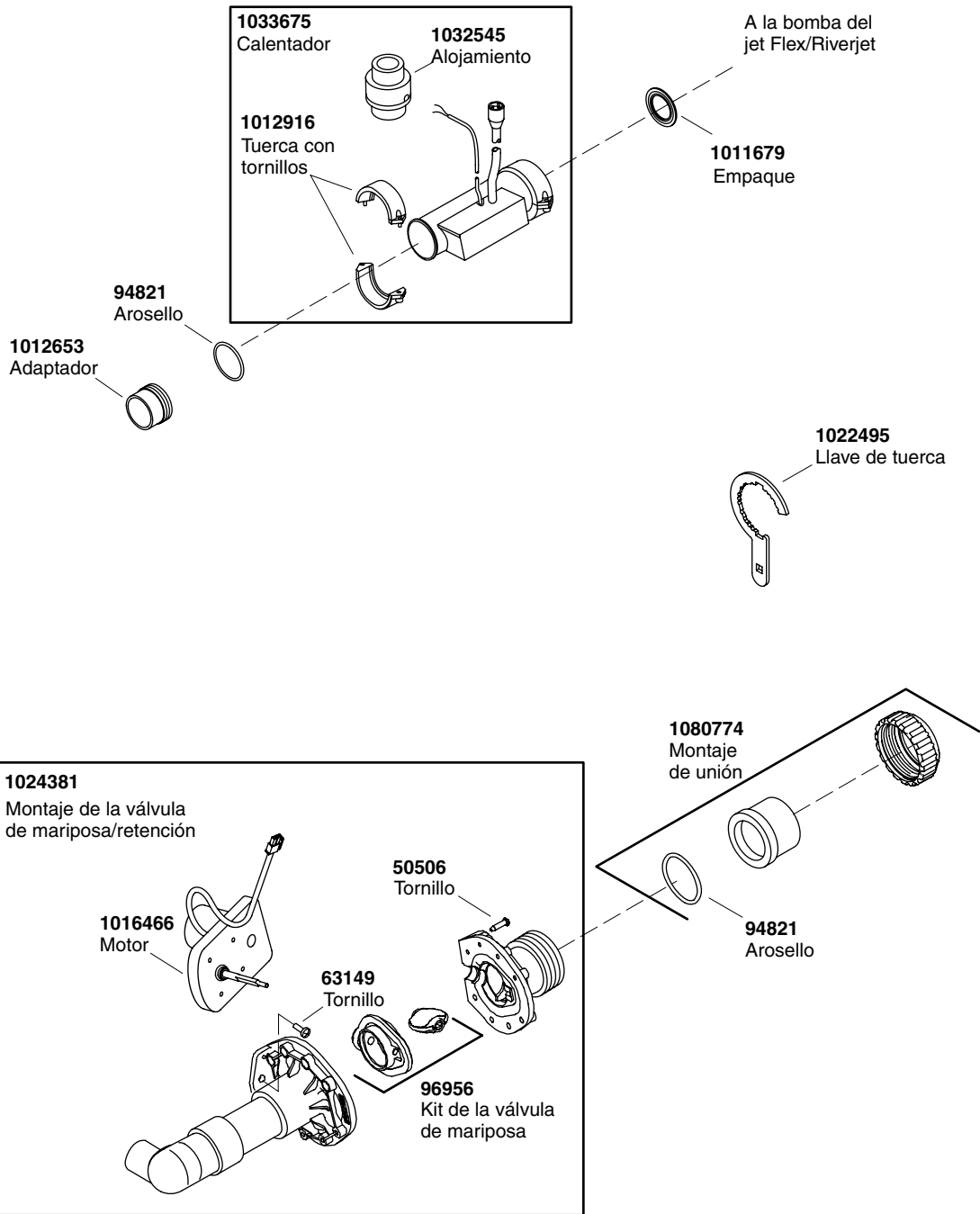
**30739**  
Herramienta del jet



**Un solo jet para bañeras de hidromasaje de 6 o más jets**

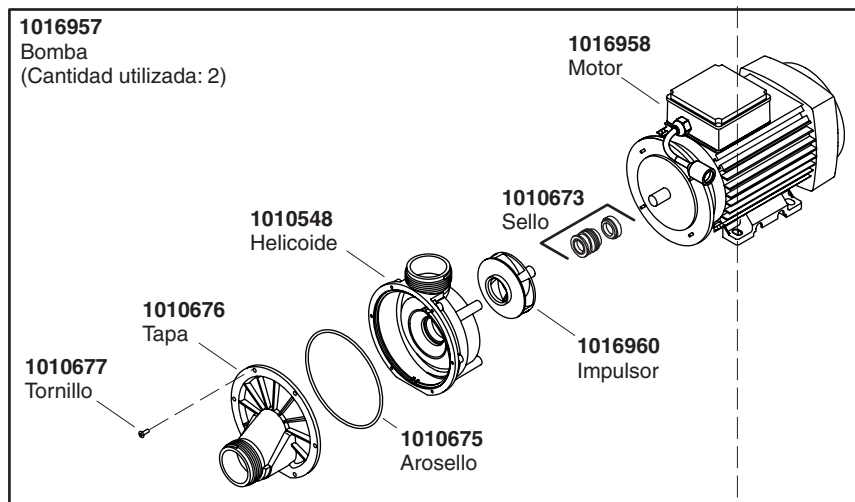
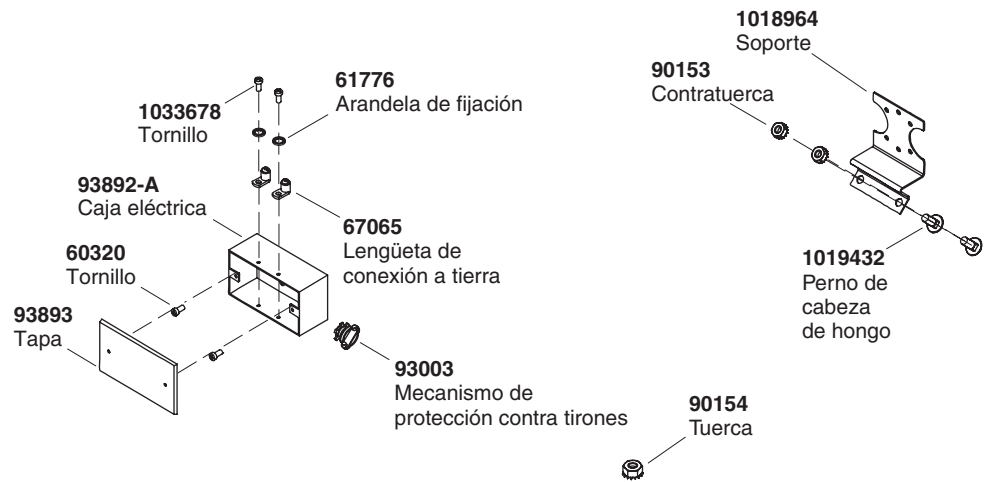
**88530\*\*** (Acabados de color)  
**88529\*\*** (Acabados metálicos)  
Jet

**\*\*Se debe especificar el código del acabado/color con el pedido.**



**\*\*Se debe especificar el código del acabado/color con el pedido.**

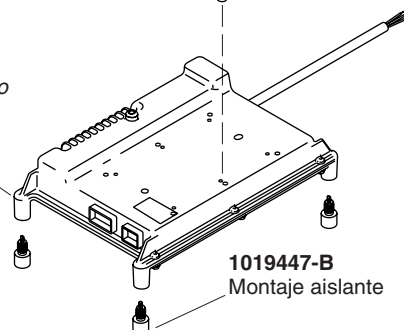
61845-K  
Cable de cobre  
para puesta a  
tierra



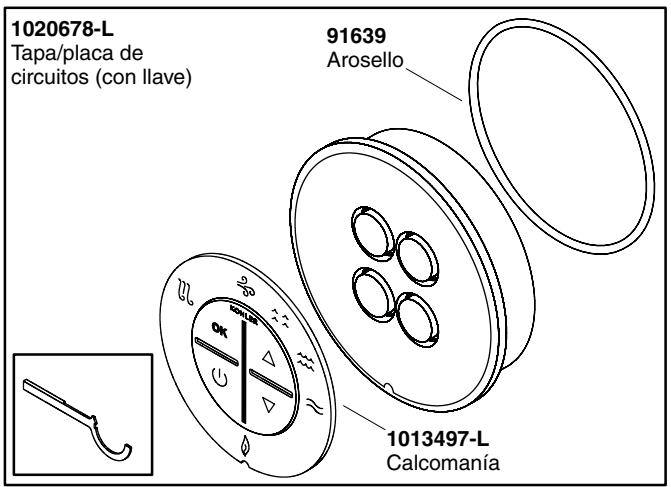
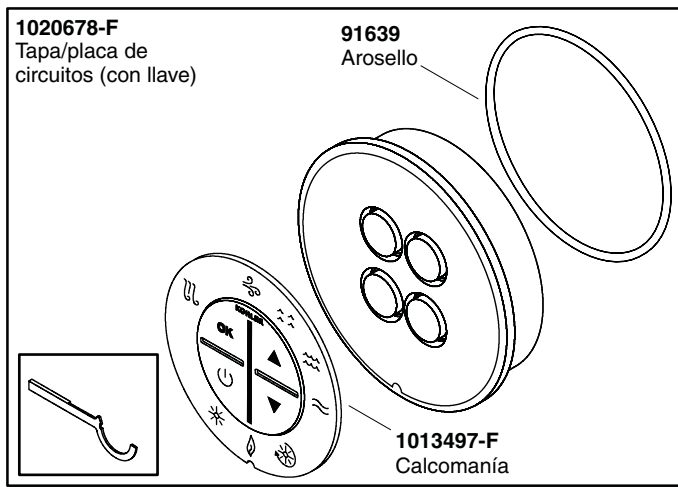
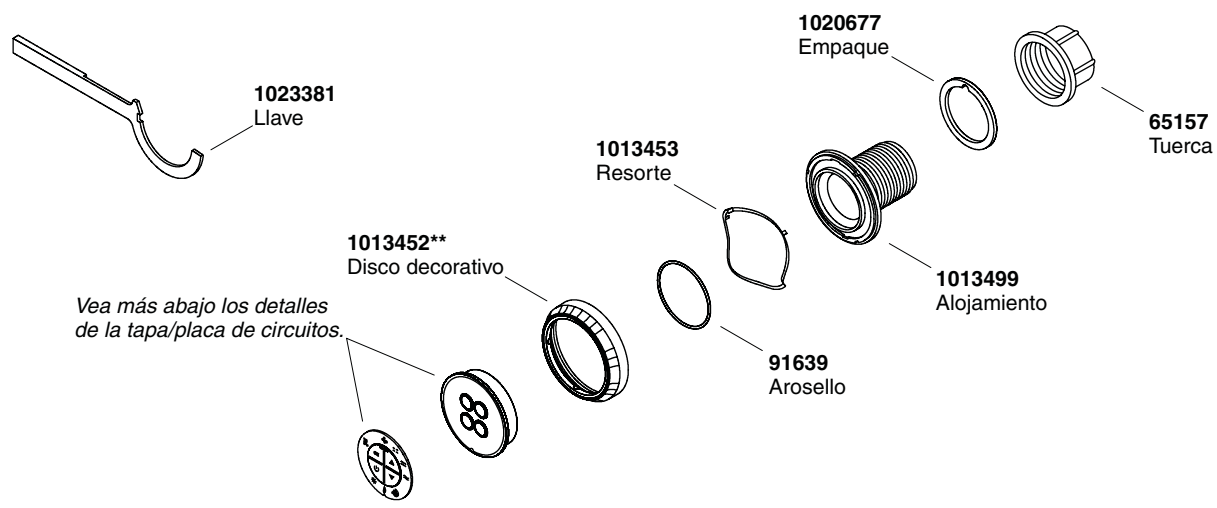
1019444-A [3/4"(2 cm)]  
1019444-H [2-1/2"(6,4 cm)]  
Espaciador

1019445-A [1-3/4"(4,4 cm)]  
1019445-H [3-1/2"(8,9 cm)]  
Varilla roscada

*Los controles varían dependiendo de la aplicación de la bomba. Consulte los detalles del arnés para la correcta identificación.*



**\*\*Se debe especificar el código del acabado/color con el pedido.**



**\*\*Se debe especificar el código del acabado/color con el pedido.**





USA/Canada: 1-800-4KOHLER

México: 001-877-680-1310

[kohler.com](http://kohler.com)

THE BOLD LOOK  
OF **KOHLER**®

©2009 Kohler Co.

1022209-5-E