

Features

- Brass construction
- 2.5 gpm (9.5 lpm)
- 5" (12.7 cm) gooseneck spout
- 6-5/8" (16.8 cm) back of sink to spout outlet
- Flange
- Internal NPT connection

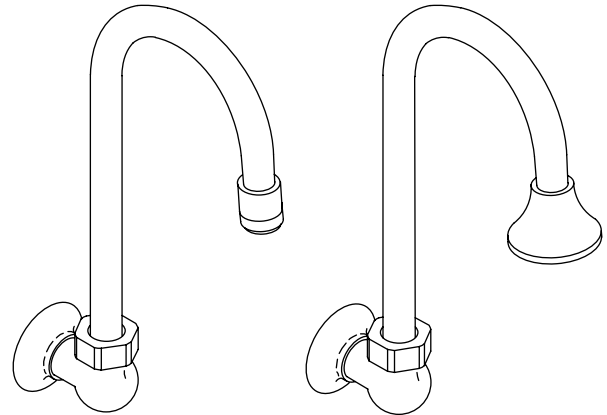
Codes/Standards Applicable

Specified model meets or exceeds the following:

- ASME A112.18.1
- Energy Policy Act of 1992
- IAPMO/UPC
- NSF 61

SINK GOOSENECK SPOUT

K-13782
ALSO K-13786



Colors/Finishes

- CP: Polished Chrome

Specified Model

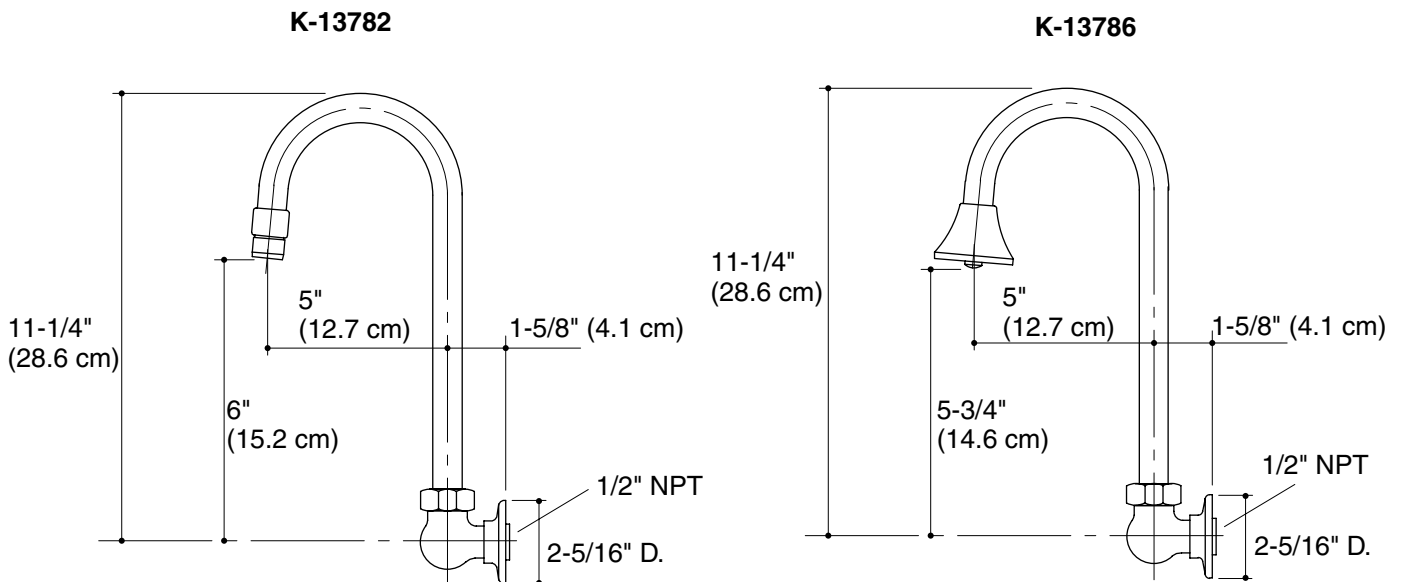
Model	Description	Colors/Finishes
K-13782	Sink gooseneck spout with standard aerator	<input type="checkbox"/> CP
K-13786	Sink gooseneck spout with rosespray	<input type="checkbox"/> CP

Product Specification

Fixture-mount gooseneck sink spout shall be of brass construction. Spout shall be available with standard or rosespray aerator. Product shall include 5" (12.7 cm) gooseneck spout, 6-5/8" (16.8 cm) back of sink to spout outlet, flange, and 1/2" internal NPT connection. Spout shall be 2.5 gallons (9.5 L) per minute. Product shall be Kohler Model K-_____-CP.

Installation Notes

Install this product according to the installation guide.



Product Diagram