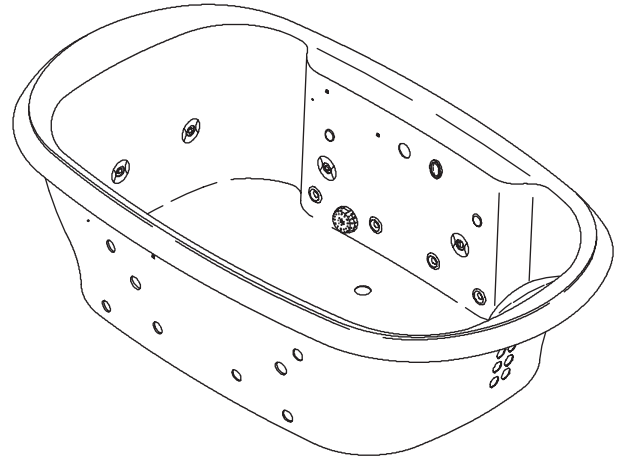


### Features

- Acrylic
- 2 hp variable speed pump with 1.5 kW heater, back-lit user keypad and remote control
- 6 Flexjets
- Ten color-matched sequencing Bodyssage™ backjets
- 8 effervescence ports
- 4 chromatherapy lights
- 240 V, 20 A electrical service
- Drilled for required grip rails
- Color-matched jet trim included
- Coordinating Revival® Suite
- 72" (182.9 cm) x 42" (106.7 cm) x 22" (55.9 cm)

### 6' EXPERIENCE BATH WHIRLPOOL WITH SPA/MASSAGE PACKAGE K-1375-LV ALSO K-1375-RV



### Codes/Standards Applicable

Specified model meets or exceeds the following:

- ANSI Z124.1
- ASME A112.19.7
- IAPMO/UPC
- Underwriter's Laboratories (UL)

### Colors/Finishes

- 0: White
- Other: Refer to Price Book for additional colors/finishes

### Accessories:

- CP: Polished Chrome
- PB: Polished Brass

### Specified Model

Model	Description	Colors/Finishes	
K-1375-LV	Bath whirlpool with Spa/Massage Package, pump on left	<input type="checkbox"/> 0 White	<input type="checkbox"/> Other_____
K-1375-RV	Bath whirlpool with Spa/Massage Package, pump on right	<input type="checkbox"/> 0 White	<input type="checkbox"/> Other_____

Required Accessories			
K-9653	Grip rails (pair)	<input type="checkbox"/> CP	<input type="checkbox"/> PB <input type="checkbox"/> Other_____

Recommended Accessory			
K-7161-AF	Drain	<input type="checkbox"/> CP	<input type="checkbox"/> PB <input type="checkbox"/> Other_____
K-T16122/K-300-K	Revival® faucet <b>OR</b>	<input type="checkbox"/> CP	<input type="checkbox"/> PB <input type="checkbox"/> Other_____
K-T15880/K-15708	Coralais® base faucet (requires handle kit) <b>OR</b>	<input type="checkbox"/> CP	<input type="checkbox"/> PB <input type="checkbox"/> Other_____
K-T15881/K-15708	Coralais® base faucet (requires handle kit)	<input type="checkbox"/> CP	<input type="checkbox"/> PB <input type="checkbox"/> Other_____

### Product Specification:

The bath whirlpool shall be 72" (182.9 cm) in length, 42" (106.7 cm) in width, and 22" (55.9 cm) in height. Bath whirlpool shall be made of acrylic. Bath whirlpool shall have 6 Flexjets, 8 effervescence ports, 4 chromatherapy lights, 2 hp variable speed pump, 1.5 kW heater, back-lit user keypad and remote control. Bath whirlpool shall have 10 color-matched sequencing Bodyssage backjets and 2 pulsating neckjets with pillow. Bath whirlpool shall be UL listed. Bath whirlpool shall be drilled for K-9653 grip rails (required). Bath whirlpool shall coordinate with Revival® Suite. Bath whirlpool shall be Kohler Model K-1375-\_\_\_\_\_-\_\_\_\_\_.

# REVIVAL®

## Technical Information

Fixture:*	basin area	top area	weight
Bathing well	40" (127 cm) x 27" (68.6 cm)	61" (154.9 cm) x 32" (81.3 cm)	165 lbs. (75 kg)
To overflow	water depth	capacity	
	16" (40.6 cm)	90 gal. (341 L)	
* Approximate measurements for comparison only.			

Pump	Heater	Voltage	Frequency	Amperage
2 hp	1.5 kW	240 V	50/60 Hz	15 A

Cut-out template		113311-7
Minimum access panel:		
Pump/control	34" (86.4 cm) W x 15" (38.1 cm) H	required

## Required Electrical Service

Dedicated circuit required, protected with Class A Ground-Fault Circuit-Interrupter (GFCI) or Earth-Leakage Circuit-Breaker (ELCB):	
Pump/control	220-240 V, 20 A, 50/60 Hz

## Installation Notes

Pump/piping protrudes beyond rim (see below).

Maximum deck thickness should not exceed 2" (5 cm).

Install this product according to the installation guide.

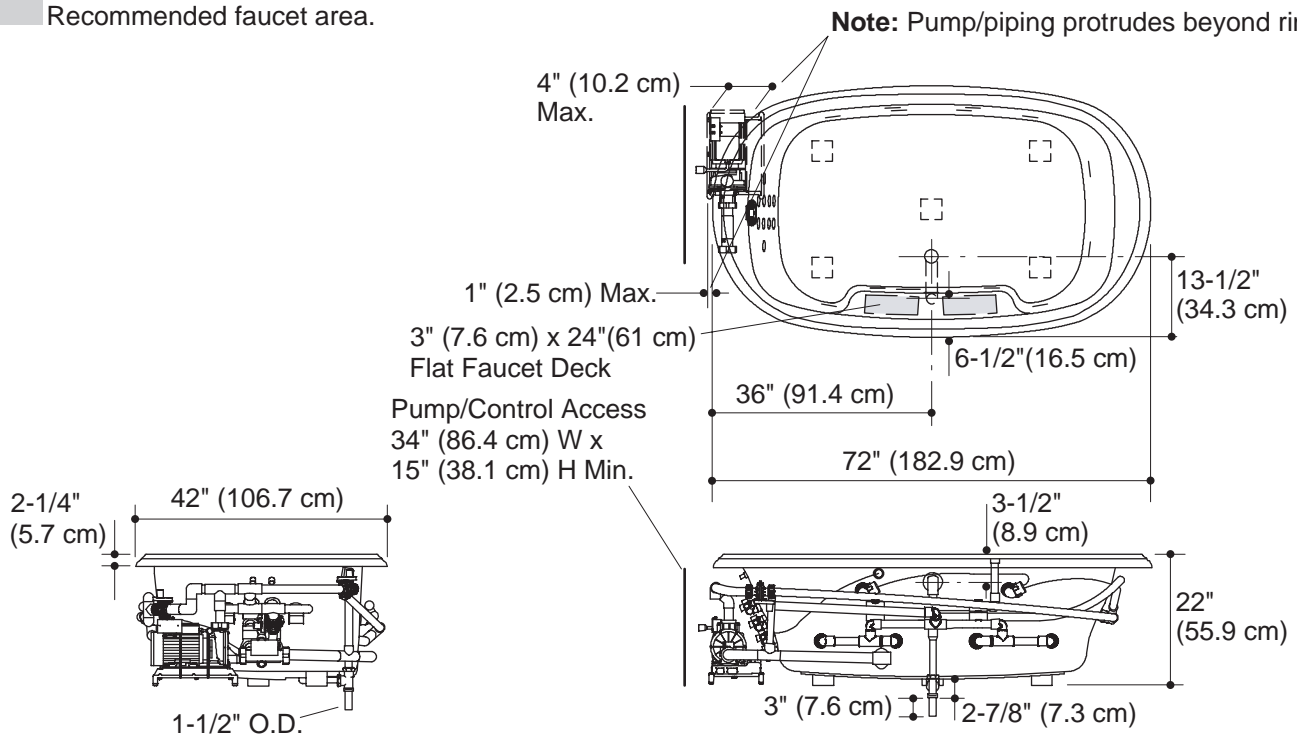
Floor support under whirlpool must provide for a minimum of 1850 lbs. (839.1 kg)

Hot water supply should be 70% of capacity or greater. Installations will vary.

If installing a rim mount faucet, make sure there is no interference with drain overflow and circulating system before drilling any holes. Consult local and national codes for minimum air gap requirements if installing a spout on the faucet deck.

No change in measurements with drain shown. (K-7167-AF or K-7167M-AF)

█ Recommended faucet area.



## Product Diagram