

K-3451, K-3453

FEATURES

- 12" (30.5cm) rough-in
- Vitreous china
- Elongated bowl
- One-piece, compact
- Comfort height
- 1.6 gpf (6 lpf)
- Ingenium™ flushing system
- 2" (5cm) glazed trapway
- 11" (27.9cm) x 9-1/4" (23.5cm) water area
- Includes seat and cover
- Includes polished chrome trip lever
- 16-1/8" (41cm) high bowl with seat is ADA compliant
- With classic design (K-3451), or stately design (K-3453)
- Less supply
- EPDM flapper

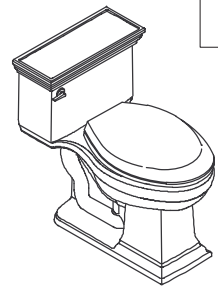
CODES/STANDARDS APPLICABLE

Specified model meets or exceeds the following:

- ADA
- ASME/ANSI A112.19.2M
- ASME/ANSI A112.19.6M
- Energy Policy Act of 1992 (EPACT)
- IAPMO/UPC
- CSA International B45



K-3451
CLASSIC DESIGN



K-3453
STATELY DESIGN

ADA

COLORS/FINISHES

- 0 White
- Other Refer to Fixtures Price Book for additional colors

Accessories:

- CP Polished Chrome
- PB Polished Brass
- Other Refer to Price Book for additional colors

SPECIFIED MODEL:

Model	Description	Colors/Finishes	
K-3451	Elongated bowl toilet, classic design	<input type="checkbox"/> 0 White	<input type="checkbox"/> Other_____
K-3453	Elongated bowl toilet, stately design	<input type="checkbox"/> 0 White	<input type="checkbox"/> Other_____

Recommended Accessories

K-7637	Angle supply with stop	<input type="checkbox"/> CP	<input type="checkbox"/> PB	<input type="checkbox"/> Other_____
--------	------------------------	-----------------------------	-----------------------------	-------------------------------------

Optional Accessories

K-9439	Trip lever (non-CP)	<input type="checkbox"/> PB	<input type="checkbox"/> Other_____
--------	---------------------	-----------------------------	-------------------------------------

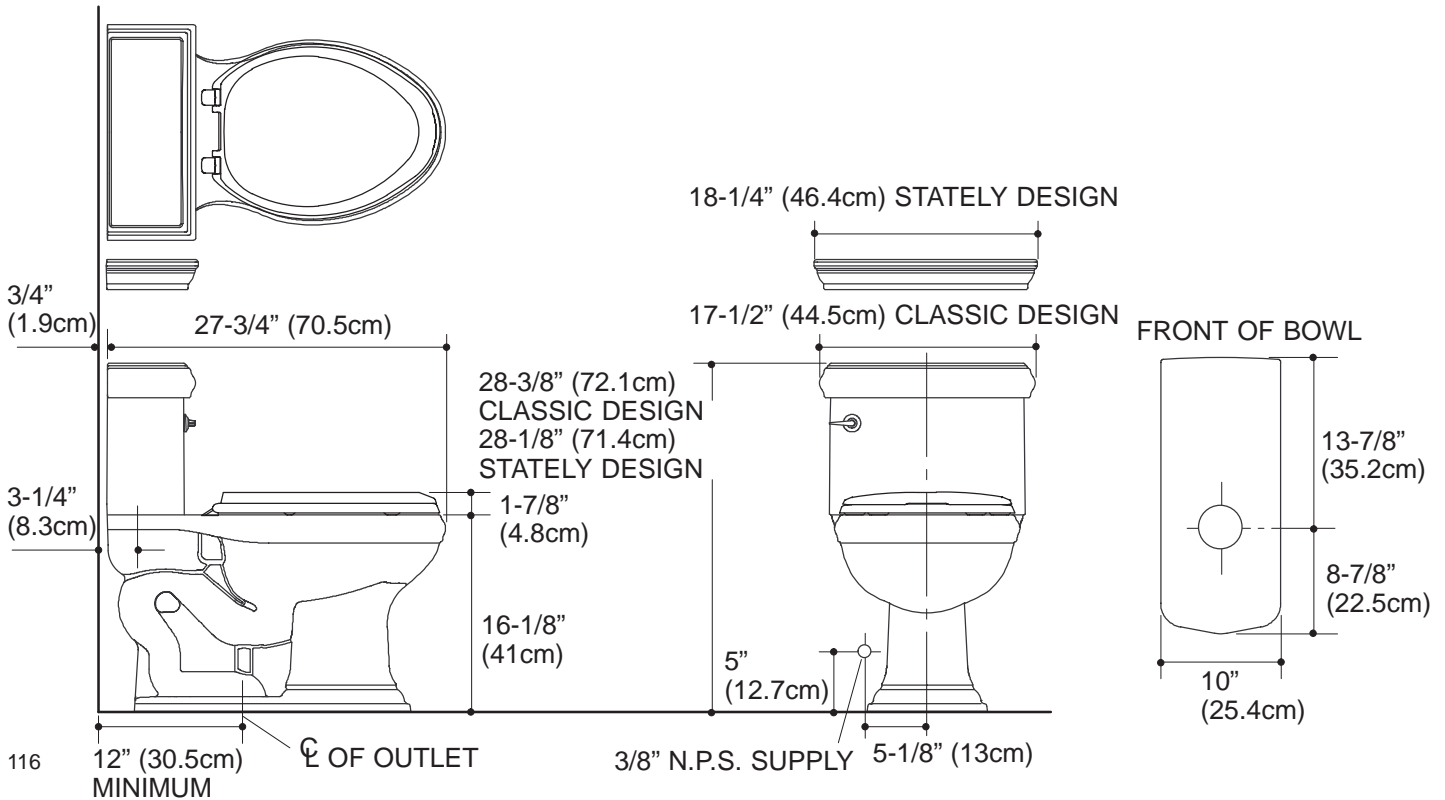
PRODUCT SPECIFICATION:

The elongated 1-piece compact toilet shall be 12" (30.5cm) rough-in. Toilet shall be made of vitreous china. Toilet shall be at comfort height. Toilet shall be 1.6 gpf (6 lpf) with Ingenium™ flushing system. Toilet shall have 2" (5cm) glazed trapway. Toilet shall have 11" (27.9cm) x 9-1/4" (23.5cm) water area. Toilet shall include seat and cover. Toilet shall include polished chrome trip lever. Toilet shall be ADA compliant with 16-1/8" (41cm) high bowl with seat. Toilet shall be with classic design (K-3451), or stately design (K-3453). Toilet shall be less supply. Toilet shall have EPDM flapper. Toilet shall be Kohler Model K-_____.

MEMOIRS COMFORT HEIGHT™

PRODUCT INFORMATION

ADA compliant:	
Fixture:	
Configuration	1-piece, compact elongated
Water per flush	1.6 gallons (6L)
Passageway	2" (5cm)
Water area	11" (27.9cm) x 9-1/4" (23.5cm)
Water depth from rim	6" (15.2cm)
Seat post hole centers	5-1/2" (14cm)
Included Components:	
Seat	K-4652
Tank cover, classic design	88871
Tank cover, stately design	88872
Trip lever	K-9439
Bolt cap accessory pack	52048
Tank accessory pack	52265



PRODUCT DIAGRAM