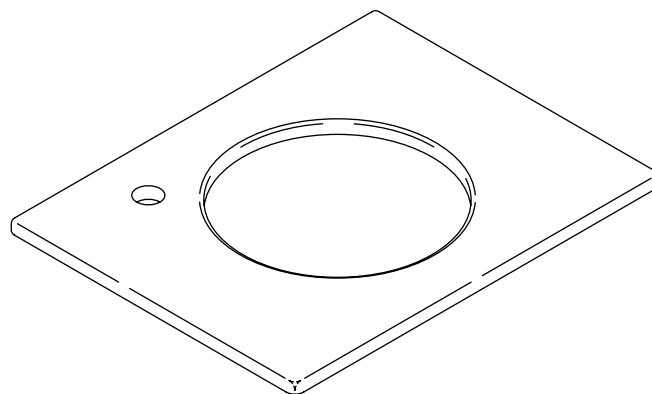


### Features

- Vitreous china
- With or without faucet holes
- Part of the Artist Editions Top Art™ Collection
- Coordinates with Artist Editions design on Camber™ lavatories
- 13-9/16" (34.4 cm) diameter lavatory cutout
- 26-1/16" (66.2 cm) x 20-1/4" (51.4 cm)

COUNTERTOP  
**K-14027**

ALSO K-14028, K-14029



### Codes/Standards Applicable

Specified model meets or exceeds the following:

- None applicable

### Colors/Finishes

- BW: Congo™
- LP: Zanzibar™
- HA: Ipanema™

### Accessories:

- TXB: Textured Black
- BW: Congo™
- LP: Zanzibar™
- HA: Ipanema™

### Specified Model

Model	Description	Colors/Finishes		
K-14027	Artist Editions countertop - faucet hole at left (shown)	<input type="checkbox"/> BW	<input type="checkbox"/> LP	<input type="checkbox"/> HA
K-14028	Artist Editions countertop - faucet hole at right	<input type="checkbox"/> BW	<input type="checkbox"/> LP	<input type="checkbox"/> HA
K-14029	Artist Editions countertop without faucet hole	<input type="checkbox"/> BW	<input type="checkbox"/> LP	<input type="checkbox"/> HA

Recommended Accessories					
K-14026	Artist Editions design on Camber™ lavatory - with painted underside	<input type="checkbox"/> BW	<input type="checkbox"/> LP	<input type="checkbox"/> HA	
K-14036	Artist Editions design on Camber™ lavatory - less painted underside	<input type="checkbox"/> BW	<input type="checkbox"/> LP	<input type="checkbox"/> HA	
K-14041	Top Art™ wrought iron console table				<input type="checkbox"/> TXB

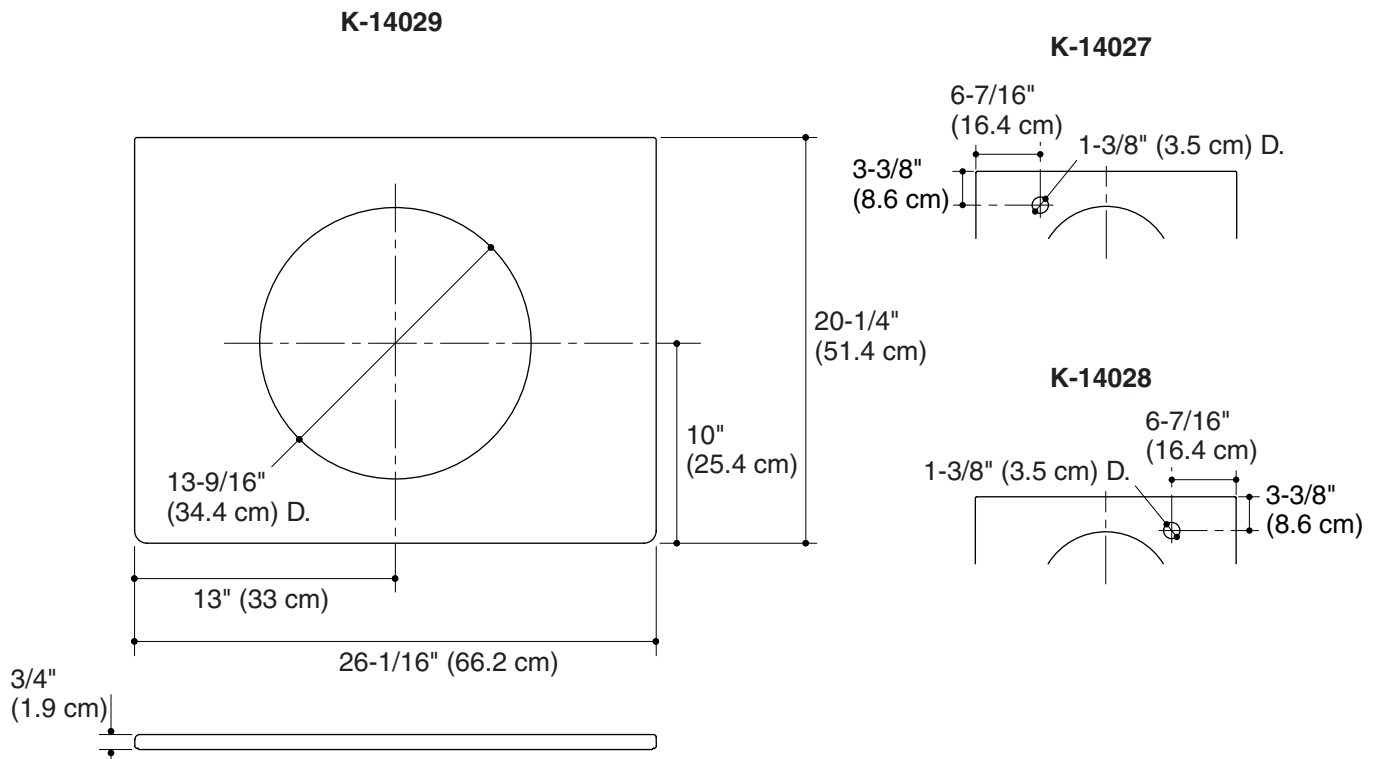
### Product Specification:

The vitreous china countertop shall be 26-1/16" (66.2 cm) in length, and 20-1/4" (51.4 cm) in width. Countertop shall be part of the Artist Editions Top Art™ Collection and coordinate with the Artist Editions design on Camber™ lavatories. Countertop shall have a 13-9/16" (34.4 cm) diameter lavatory cutout. Countertop shall be available with or without faucet holes. Product shall be Kohler Model K-\_\_\_\_\_-\_\_\_\_\_.

# TOP ART™ ARTIST EDITIONS

## Installation Notes

Install this product according to the installation guide.



## Product Diagram