



## Features

- End drain.
- Integral lumbar support.
- Textured bottom surface.
- 60" (1524 mm) x 42-1/4" (1073 mm) x 21" (533 mm)

## Material

- Acrylic

## Hydrotherapy

- Single-speed whirlpool offers 8 fully adjustable hydro-massage jets for water flow and direction.
- Pump with air switch for whirlpool.
- Multiple pump location options give you more choices for installation and access.

## Installation

- Drop-in

## Recommended Accessories

- K-1491 Bath/Whirlpool Pillow
- K-7166-AF Bath Drain
- K-9698 Flexjet® Whirlpool Trim Kit
- K-24916 Wireless Music Kit
- K-7213 27" Cable Bath Drain
- K-7214 27" Cable Bath Drain
- K-37382 45" Rough-in Cable Bath Drain



## Codes/Standards

- ASME A112.19.7/CSA B45.10
- CSA B45.5/IAPMO Z124
- ASTM E162
- ASTM E662
- UL 1795
- Greenguard UL 2818 - Gold
- CARB P2




## KOHLER® One-Year Limited Warranty

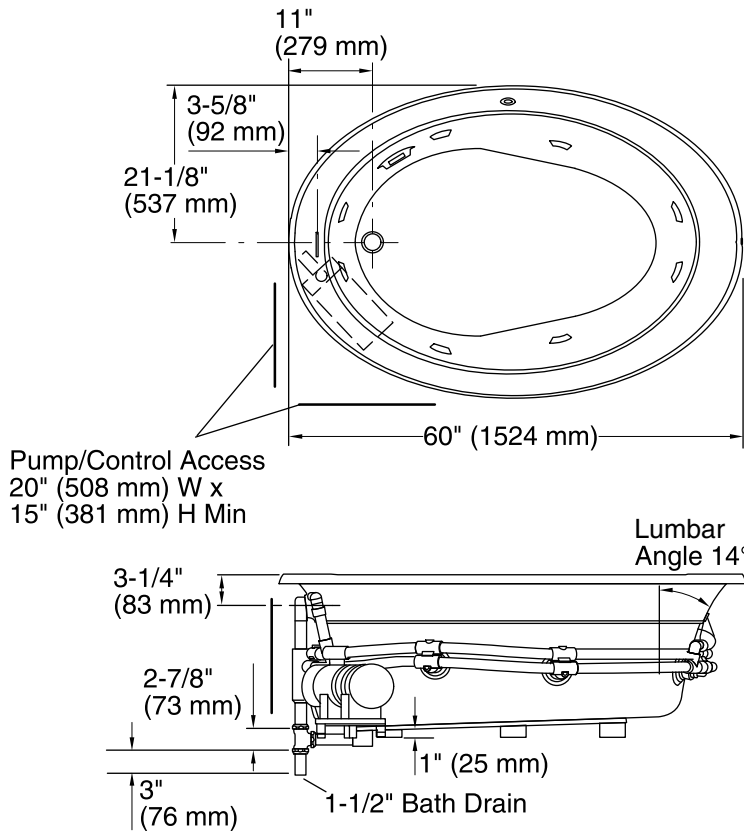
See website for detailed warranty information.

## Available Color/Finishes

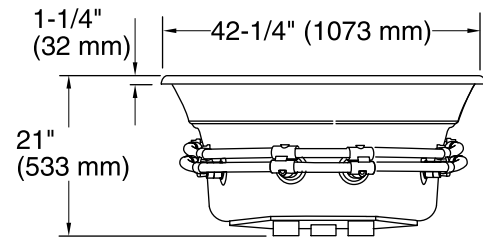
*Color tiles intended for reference only.*

Color	Code	Description
-------	------	-------------

	0	White
	96	Biscuit
	47	Almond



No change in measurements if connected with drain illustrated. (K-7166-AF)



## Required Electrical Service

One dedicated circuit required, protected with Class A Ground-Fault Circuit-Interrupter (GFCI) or Residual Current Device (RCD).

Pump: 120 V, 15 A, 60 Hz

## Technical Information

All product dimensions are nominal.

Installation: Drop-in  
Drain location: End  
Basin area, bottom: 42" x 28" (1067 mm x 711 mm)  
Basin area, top: 55" x 40" (1397 mm x 1016 mm)  
Weight: 110 lbs (49.9 kg)  
Minimum floor load: 42 lbs/ft<sup>2</sup> (205.1 kg/m<sup>2</sup>)  
Water depth: 15-1/2" (394 mm)  
Water capacity: 73 gal (276.3 L)  
Template: Drop-in, 1017044-7, required, included  
Electrical component rating: Pump: 120 V, 7.5 A, 60 Hz  
Pump speed: Single

## Notes

Measure your actual product for rough-in details.

Install this product according to the installation instructions.

The hot water supply should be 70% of the capacity of the bath or greater. Installations will vary.

Provide one grounded electrical outlet within 24" (610 mm) of each component.

Pump must be relocated to custom position at the time of installation. Provide adequate clearance.