

Features

- Made from premium materials that withstand high-volume usage
- Constructed of vitreous china
- 20" x 18"
- Wall-mount installation
- Single-hole drilling
- Drilled for concealed arm carrier
- With sealed overflow and soap dispenser drilling on right

Recommended Products/Accessories

K-8998 P-Trap

Included Components

Additional Components:

Hanger(s)



ADA CSA B651 OBC

Codes/Standards

ASME A112.19.2/CSA B45.1

ADA

ICC/ANSI A117.1

CSA B651

OBC


KOHLER® One-Year Limited Warranty

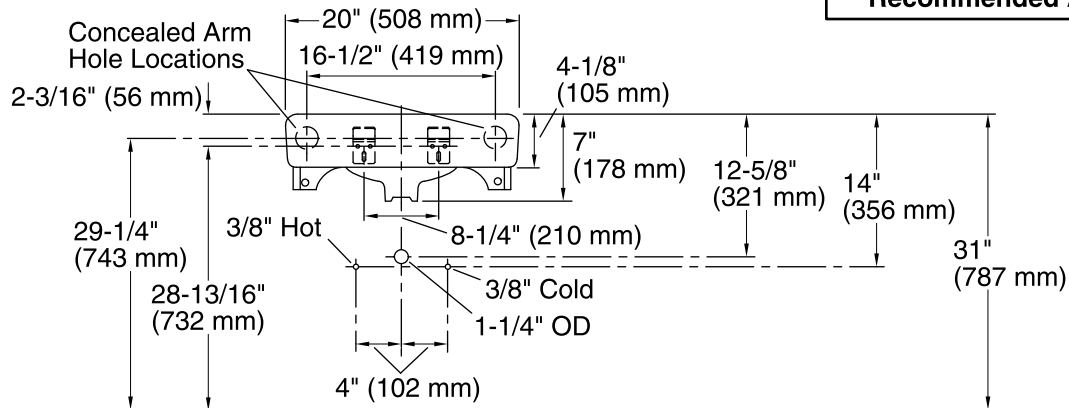
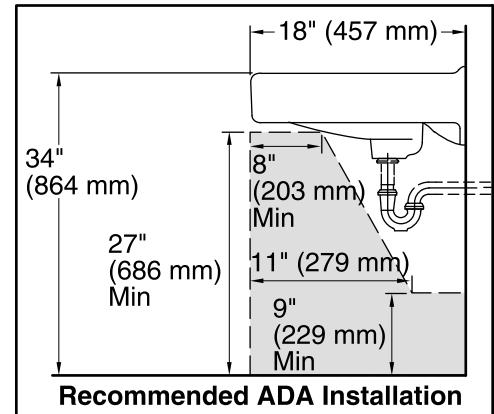
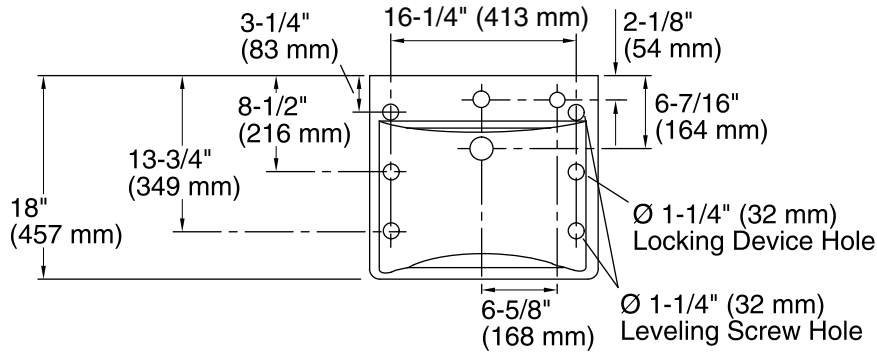
See website for detailed warranty information.

Available Colors/Finishes

Color tiles intended for reference only.

| Color | Code | Description |
|-------|------|-------------|
|-------|------|-------------|

| | | |
|--|---|-------|
|  | 0 | White |
|--|---|-------|



Standard Installation

Technical Information

All product dimensions are nominal.

| | |
|-----------------------|---|
| Bowl configuration: | Single |
| Installation: | Wall-mount |
| Bowl area (Only): | Length: 18" (457 mm) Width: 13" (330 mm) Water depth: 4-7/8" (124 mm) |
| Number of deck holes: | 2 |
| Faucet hole(s): | 1-3/8" (35 mm) |
| Soap/Lotion hole: | 1-1/4" (32 mm) |
| Drain hole: | 1-3/4" (44 mm) |

Notes

Install this product according to the installation instructions.

If an arm carrier is used, select a soap dispenser with a 1" (25 mm) maximum shank diameter to avoid interference with the arm carrier.

Use a soap dispenser with adequate shank length to extend through the 4-1/8" (105 mm) sink thickness.

ADA, OBC, CSA B651 compliant when installed to the specific requirements of these regulations.