

### WALL-MOUNT LAVATORY

# K-2023, K-2025, K-2027

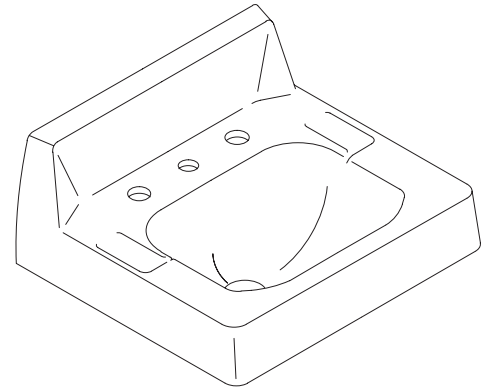
#### FEATURES

- 18-5/8" (47.3cm) x 16" (40.6cm)
- Vitreous china
- Wall-mount
- 8" (20.3cm) centers (K-2023), 4" (10.2cm) centers (K-2027), or single-hole (K-2025) drilling
- With overflow
- With hanger
- Drilled for concealed arm carrier

#### CODES/STANDARDS APPLICABLE

Specified model meets or exceeds the following:

- ASME/ANSI A112.19.2M
- IAPMO/UPC
- Canadian Standards Association (CSA) (not K-2025)
- State of Massachusetts



#### COLORS/FINISHES

- 0 White

#### Accessories:

- CP Polished Chrome
- Other Refer to Faucets Price Book for additional finishes

#### SPECIFIED MODEL:

Model	Description	Colors/Finishes
K-2023	8" (20.3cm) centers lavatory	<input type="checkbox"/> 0 White
K-2025	Single-hole lavatory	<input type="checkbox"/> 0 White
K-2027	4" (10.2cm) centers lavatory	<input type="checkbox"/> 0 White

Optional Accessories			
K-13885	Drain	<input type="checkbox"/> CP	<input type="checkbox"/> Other _____
K-1808	Brackets	<input type="checkbox"/> CP	<input type="checkbox"/> Other _____
K-8998	Trap	<input type="checkbox"/> CP	<input type="checkbox"/> Other _____

#### PRODUCT SPECIFICATION:

The lavatory with back shall be 18-5/8" (47.3cm) in length, and 16" (40.6cm) in width. Lavatory shall be made of vitreous china. Lavatory shall be wall-mount with hanger. Lavatory shall have 8" (20.3cm) centers (K-2023), 4" (10.2cm) centers (K-2027), or single-hole (K-2025) drilling. Lavatory shall have overflow. Lavatory shall be drilled for concealed arm carrier. Lavatory shall be Kohler Model K-\_\_\_\_\_ - \_\_\_\_\_.

## PRODUCT INFORMATION

Fixture*:		basin area	water depth
Lavatory		13" (33cm) x 8" (20.2cm)	5-1/4" (13.3cm)
Drain hole	1-3/4" D. (4.4cm)		

\* Approximate measurements for comparison only.

Holes	K-2023	K-2025	K-2027
Spout	1-3/8" D. (3.5cm)	1-3/8" D. (3.5cm)	1-1/4" D. (3.2cm)
Faucet	1-3/8" D. (3.5cm)		1-1/4" D. (3.2cm)

Included Components:	
Hanger (1)	64839

## INSTALLATION NOTES

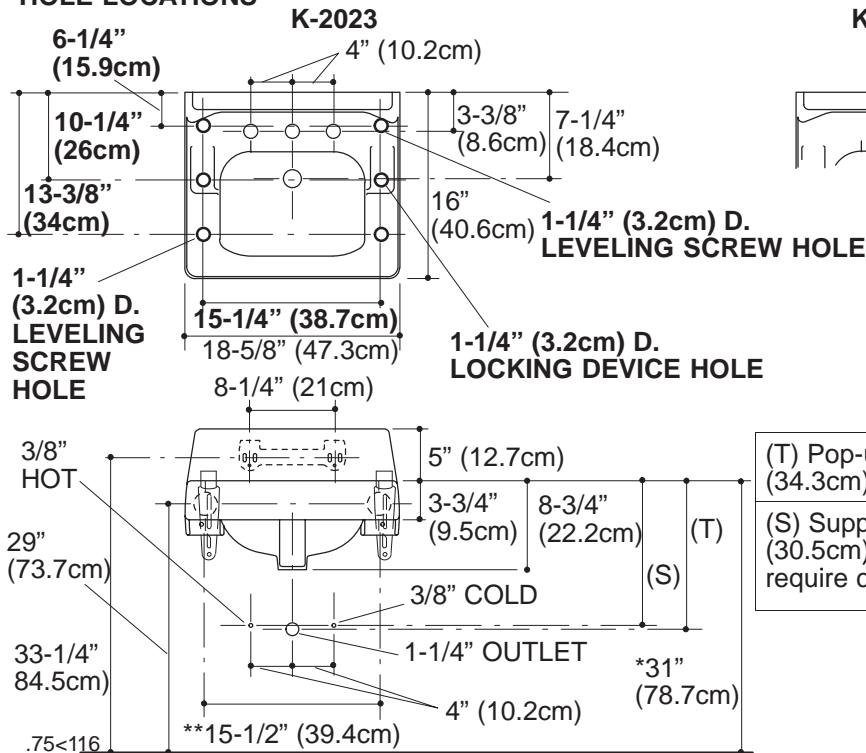
Install this product according to the installation guide.

Fixture dimensions are nominal and conform to tolerances in ASME Standard A112.19.2M.

Lavatory complies with ADA requirement when rim is no higher than 34" (86.4cm) from finished floor.

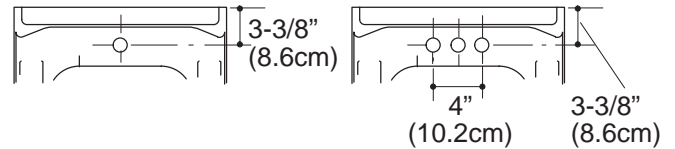
Concealed arm carrier required, **NOT** supplied by Kohler Co. Supplied hanger not used with concealed arm carrier.

### CONCEALED ARM HOLE LOCATIONS



K-2025

K-2027



(T) Pop-up drain 14-3/8" (36.5cm), drain 13-1/2" (34.3cm)		
(S) Supply (Based on 12" (30.5cm) riser which may require cutting).	K-2025, K-2027	K-2023
	10" (25.4cm)	14" (35.6cm)

## PRODUCT DIAGRAM