

STEAM GENERATOR K-1652

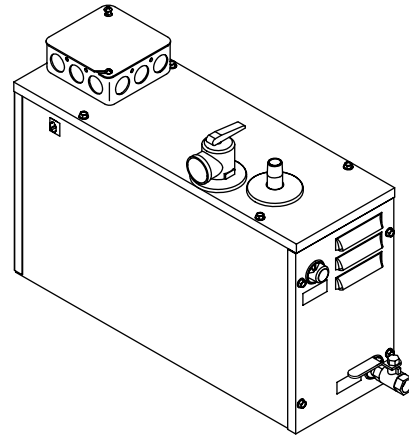
Features

- 3 year warranty
- Steam generators can be installed up to 25' (7.6 m) away from steam bath area

Codes/Standards Applicable

Specified model meets or exceeds the following:

- UL 499
- CAN/CSA C22.2 No. 88



Colors/Finishes

- NA: None applicable

Accessories:

- CP: Polished Chrome
- PB: Polished Brass
- Other: Refer to Price Book for additional colors/finishes

Specified Model

| Model | Description | Colors/Finishes | | |
|-----------------------------|------------------------------|-----------------------------|-----------------------------|-------------------------------------|
| K-1652 | 5 kW steam generator | <input type="checkbox"/> NA | | |
| Required Accessories | | | | |
| K-1663 | Steam head and control panel | <input type="checkbox"/> CP | <input type="checkbox"/> PB | <input type="checkbox"/> Other_____ |

Product Specification:

The 5 kW steam generator shall have a three-year warranty. Product may be installed up to 25' (7.6 m) away from the steam bath area. Steam generator shall be Kohler Model K-1652.

Technical Information

| | |
|-------------------------------|---|
| Water and drain requirements: | |
| Water supply | 3/8" copper line, 3/8" NPT female thread |
| Steam line | 1/2" copper line, 1/2" NPT female thread |
| Pressure relief valve | 3/4" NPT female thread, valve supplied |
| Drain line | 3/8" copper line, 3/8" NPT female thread, ball valve supplied |
| Generator: | |
| Weight | 19-1/2 lbs (8.8 kg) |
| Electrical rating | 240 V, 60 Hz, 25 A |

Required Electrical Service

| | |
|-----------------------------|--------------------------|
| Dedicated circuit required: | |
| Generator | 5 kW, 240 V, 30 A, 60 Hz |

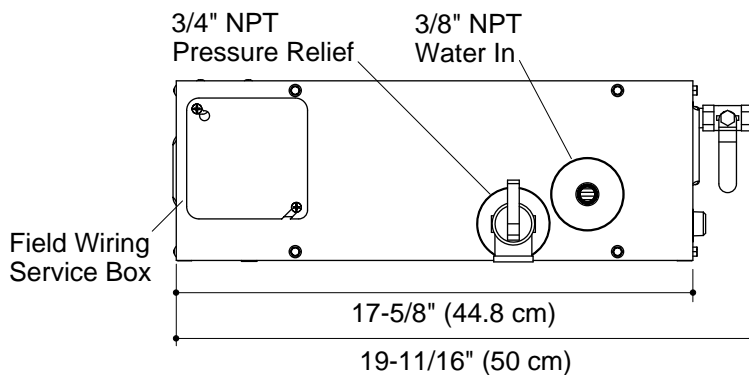
Installation Notes

Install this product according to the installation guide.

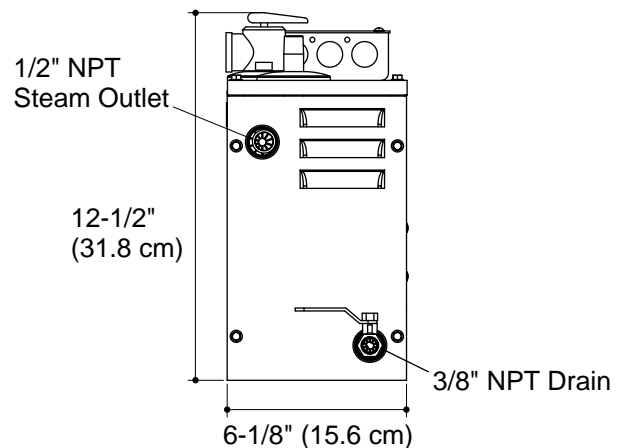
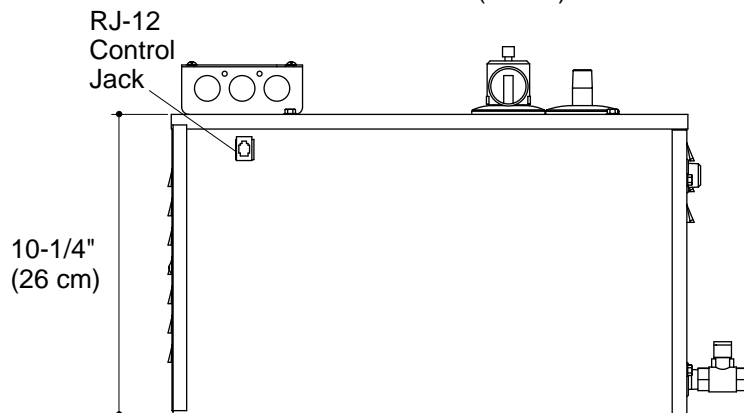
Calculate the area of the enclosure (length x width x height).

For this steam generator, do not exceed the rating by material:

| | |
|--|--------------------------------------|
| Acrylic or gel coat | 190 cubic feet (5.4 cubic meters) |
| Corian (ceramic tile on sheet rock) | 125 cubic feet (3.5 cubic meters) |
| Glass tile | 95 cubic feet (2.7 cubic meters) |
| Natural stone tile 3/8" (1 cm) to 1/2" (1.3 cm) | 75 cubic feet (2.1 cubic meters) |
| Natural stone slab 3/4" (1.9 cm) to 1" (2.5 cm) | 65 cubic feet (1.8 cubic meters) |



Minimum required access is
20" (50.8 cm) L x 13" (33 cm) H x
6-1/2" (16.5 cm) W.



Product Diagram