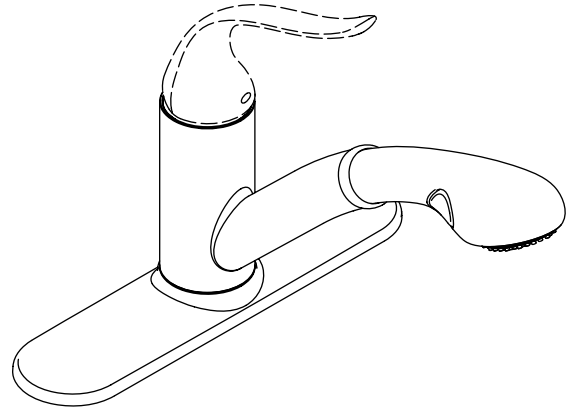


**KITCHEN SINK FAUCET
K-15162**

Features

- Metal construction
- One-piece, self-contained ceramic disc valve allows both volume and temperature control
- Temperature memory allows faucet to be turned on and off at any temperature setting
- High-temperature limit stop for added safety
- 9-1/2" (24.1 cm) swing spout with integral spray and retractable hose
- 2.2 gallons (8.3 L) per minute
- Sprayhead is available in a variety of colors
- Touch control for stream-to-spray water flow
- Integral vacuum breaker
- 10" (25.4 cm) escutcheon plate for three-hole installations



Codes/Standards Applicable



Specified model meets or exceeds the following:

- ASME A112.18.1
- CSA B125
- IAPMO/UPC
- NSF 61
- Energy Policy Act of 1992 (EPACT)
- Listed in the State of Wisconsin
- ADA

Colors/Finishes

- CP: Polished Chrome
- Other: Refer to Price Book for additional colors/finishes

Specified Model:

Model	Description		
K-15162	With Lever Handle and Matching Color sprayhead	<input type="checkbox"/> CP <input type="checkbox"/> Other _____	
K-15162-AP	With Lever Handle, Polished Chrome Body and White sprayhead	<input type="checkbox"/> CP	
K-15162-L	With Loop Handle and Matching Color sprayhead		<input type="checkbox"/> CP <input type="checkbox"/> Other _____
K-15162-LA	With Loop Handle, Polished Chrome Body and White sprayhead		<input type="checkbox"/> CP

Product Specification

Single-control pull-out spray kitchen sink faucet shall be of metal construction. The valve shall be a one-piece, self-contained ceramic disc valve, and allows both volume and temperature control. The valve shall feature temperature memory, allowing the faucet to be turned on and off at any temperature setting, and includes a high-temperature limit stop. Faucet shall also feature stream-to-spray touch control. Product shall include 9-1/2" (24.1 cm) swing spout with integral sprayhead and hose, ADA compliant lever or loop handle, integral vacuum breaker, and 10" (25.4 cm) escutcheon plate. Faucet shall be Kohler Model K-15162-____-____.

CORALAIS®

Technical Information

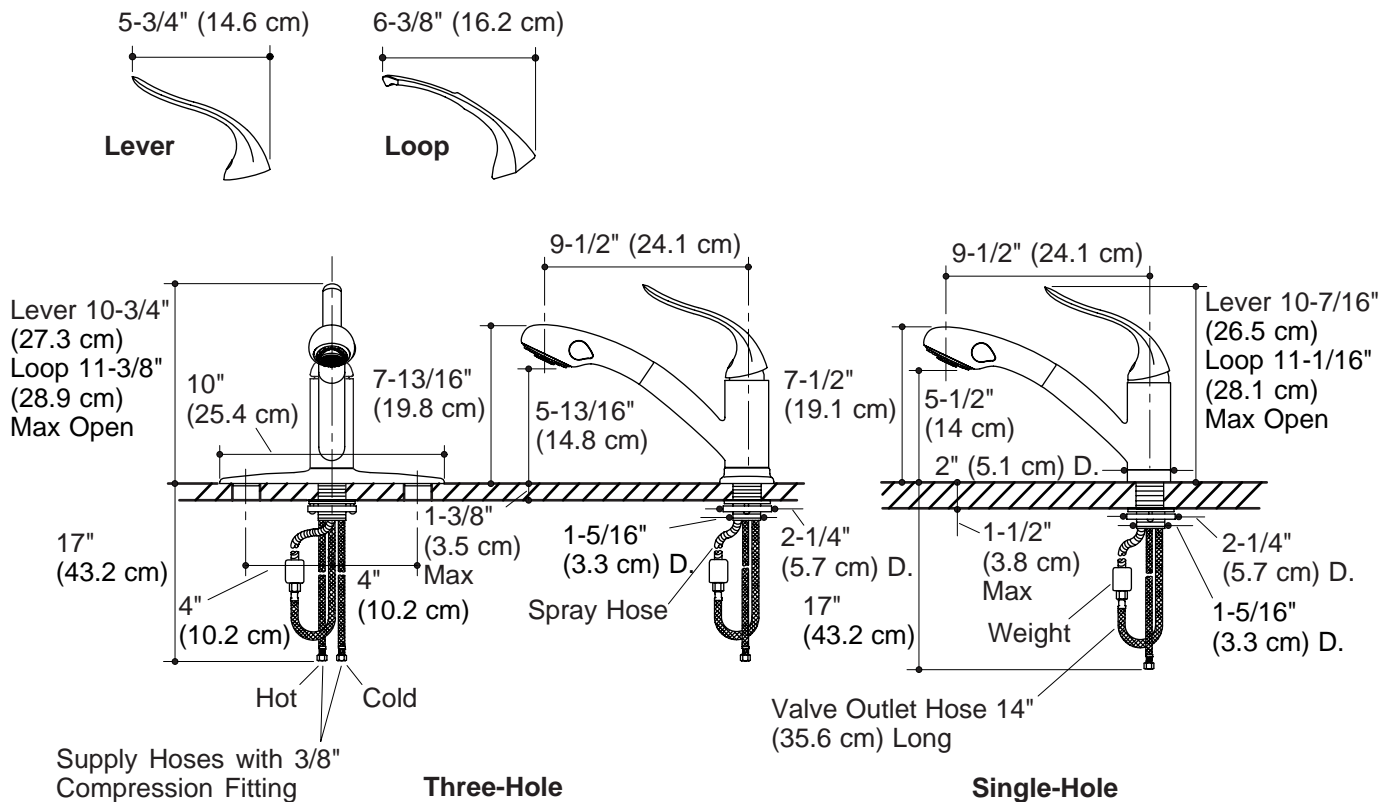
Applicable sink faucet with spray:	
Faucet with lever handle	K-15162, K-15162-AP
Faucet with loop handle	K-15162-L, K-15162-LA
Lever and loop handles are ADA compliant. ADA	

Installation Notes

Install this product according to the installation guide.

This product meets all local plumbing codes for vacuum breaker requirements.

All necessary parts are included for both single-hole and three-hole installation.



Product Diagram