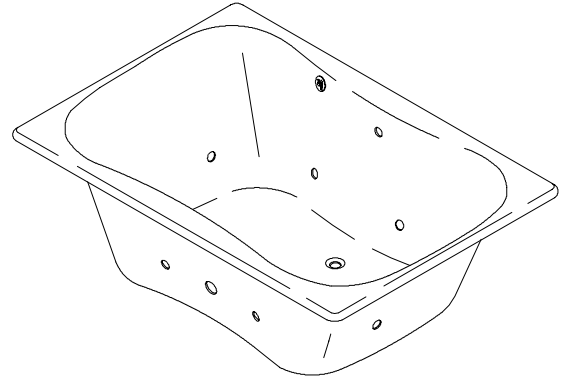


K-1487-H2

FEATURES

- 59-1/2" (151.1cm) x 41-5/8" (105.7cm) x 21-1/2" (54.6cm)
- Acrylic
- 1.5 hp variable speed pump with 1.5 kW heater, and back-lit user control
- 6 Flexjets
- UL Listed
- LESS ALL TRIM



CODES/STANDARDS APPLICABLE

Specified model meets or exceeds the following:

- ANSI Z124.1
- ASME/ANSI A112.19.7M
- IAPMO/UPC
- Underwriters Laboratories (UL)

COLORS/FINISHES

- 0 White
- Other Refer to Price Book for additional colors

Accessories:

- CP Polished Chrome
- PB Polished Brass
- Other Refer to Price Book for additional finishes
- NA None Applicable

SPECIFIED MODEL:

Model	Description	Colors/Finishes		
K-1487-H2	Bath whirlpool	<input type="checkbox"/> 0 White	<input type="checkbox"/> Other_____	
Required Accessories				
K-9696	Jet trim kit	<input type="checkbox"/> CP	<input type="checkbox"/> PB	<input type="checkbox"/> Other_____
Recommended Accessories				
K-7161-AF	Drain	<input type="checkbox"/> CP	<input type="checkbox"/> PB	<input type="checkbox"/> Other_____
Optional Accessories				
K-1179	Vinyl tiling-in bead (use when wall material contacts any top surface of bath)	<input type="checkbox"/> NA		
K-1491	Pillow	<input type="checkbox"/> 0 White	<input type="checkbox"/> Other_____	
K-1601	Footstop	<input type="checkbox"/> 0 White	<input type="checkbox"/> Other_____	
K-1703	Remote control	<input type="checkbox"/> NA		

PRODUCT SPECIFICATION:

The bath whirlpool shall be 59-1/2" (151.1cm) in length, 41-5/8" (105.7cm) in width, and 21-1/2" (54.6cm) in height. Bath whirlpool shall be made of acrylic. Bath whirlpool shall have 6 Flexjets, 1.5 hp variable speed pump, 1.5 kW heater, and back-lit user control. Bath whirlpool shall be UL listed. Bath whirlpool shall be less all trim. Bath whirlpool shall be Kohler Model K-1487-_____-_____.

INFINITY[∞] BATH™

PRODUCT INFORMATION

Fixture*:	basin area	top area	weight
Bathing well	41" (104.1cm) x 29" (73.7cm)	56" (142.2cm) x 36" (91.4cm)	140 lbs. (63.5kg)
	water depth	capacity	
To overflow	15" (38.1cm)	85 gal. (321.8L)	

* Approximate measurements for comparison only.

Pump	Heater	Voltage	Frequency	Amperage
1.5 HP	1.5 kW	240 V	50/60 Hz	11 A

REQUIRED ELECTRICAL SERVICE

Dedicated circuit required, protected with Class A Ground-Fault Circuit-Interrupter (GFCI) or Earth-Leakage Circuit-Breaker (ELCB):

Pump/control	220/240 V, 20 A, 50/60 Hz
--------------	---------------------------

INSTALLATION NOTES

Note: Pump protrusion beyond rim.

Install this product according to the installation guide.

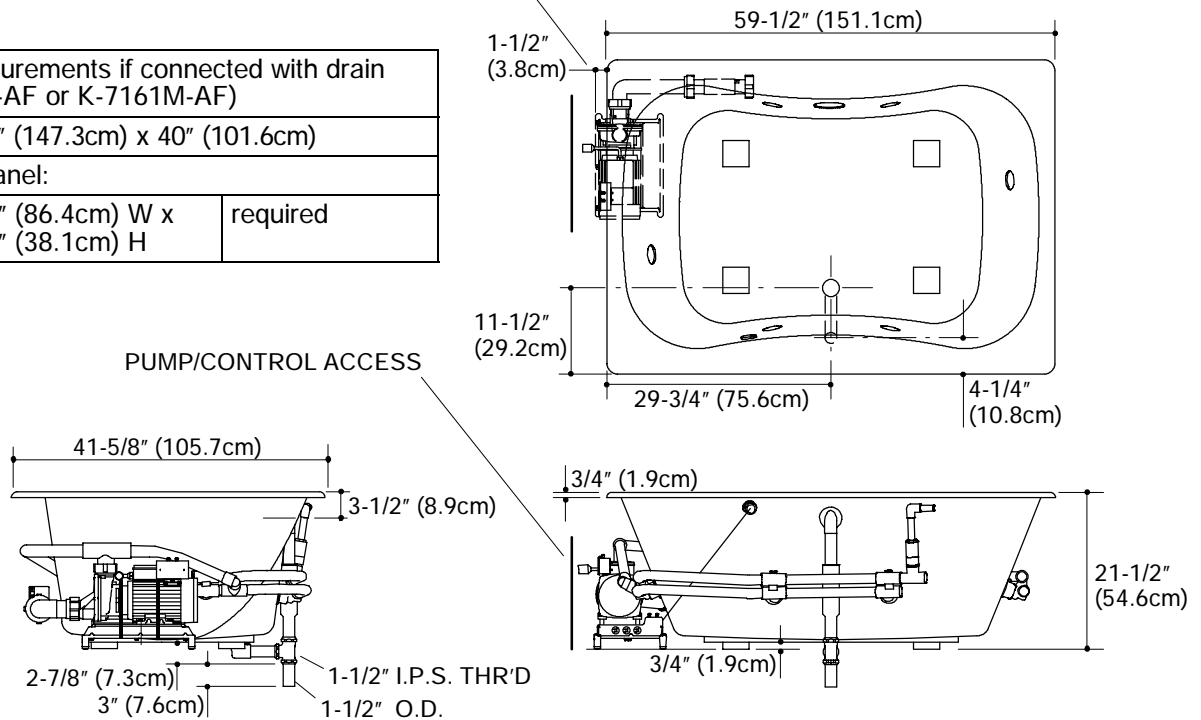
Floor support under whirlpool must provide for a minimum of 1600 lbs. (725.7kg)

Hot water supply should be 70% of capacity or greater. Installations will vary.

If installing a rim mount faucet, make sure there is no interference with drain overflow and circulating system before drilling any holes. Consult local and national codes for minimum air gap requirements if installing a spout on the faucet deck.

NOTE: PUMP PROTRUSION BEYOND RIM

No change in measurements if connected with drain illustrated. (K-7161-AF or K-7161M-AF)		
Drop-in cut-out	58" (147.3cm) x 40" (101.6cm)	
Minimum access panel:		
Pump/control	34" (86.4cm) W x 15" (38.1cm) H	required



PRODUCT DIAGRAM