

Geometric | K-13466

Touchless single-hole lavatory faucet with Insight™ sensor technology and temperature mixer, DC-powered, 0.5 gpm

Features

- 0.5 gpm (1.9 lpm) maximum flow rate
- Factory-set 30-second maximum continual run cycle
- Vandal-resistant aerator
- 24" (610 mm) flexible supply hose for easy installation
- Less drain
- Includes two AAA batteries



Sustainability



Available Colors/Finishes

Color tiles intended for reference only.

■ VS Vibrant Stainless



Codes/Standards

ADA, OBC, CSA B651 compliant when installed to the specific requirements of these regulations.



ASME A112.18.1/CSA B125.1
NSF/ANSI/CAN 372
DOE - Energy Policy Act 1992
ADA
ICC/ANSI A117.1
CSA B651
OBC

Technical Information

All product dimensions are nominal.

Spout

Spout Reach: 5-5/16" (135 mm)

Flow Rate

Faucet Flow Rate: 0.5 gpm (1.9 l/min)

Valves

Included Valve: UltraGlide

Material

- Brass
-

Recommended Products/Accessories

K-23726 Drain treatment

K-23723 Faucet cleaner

Technology

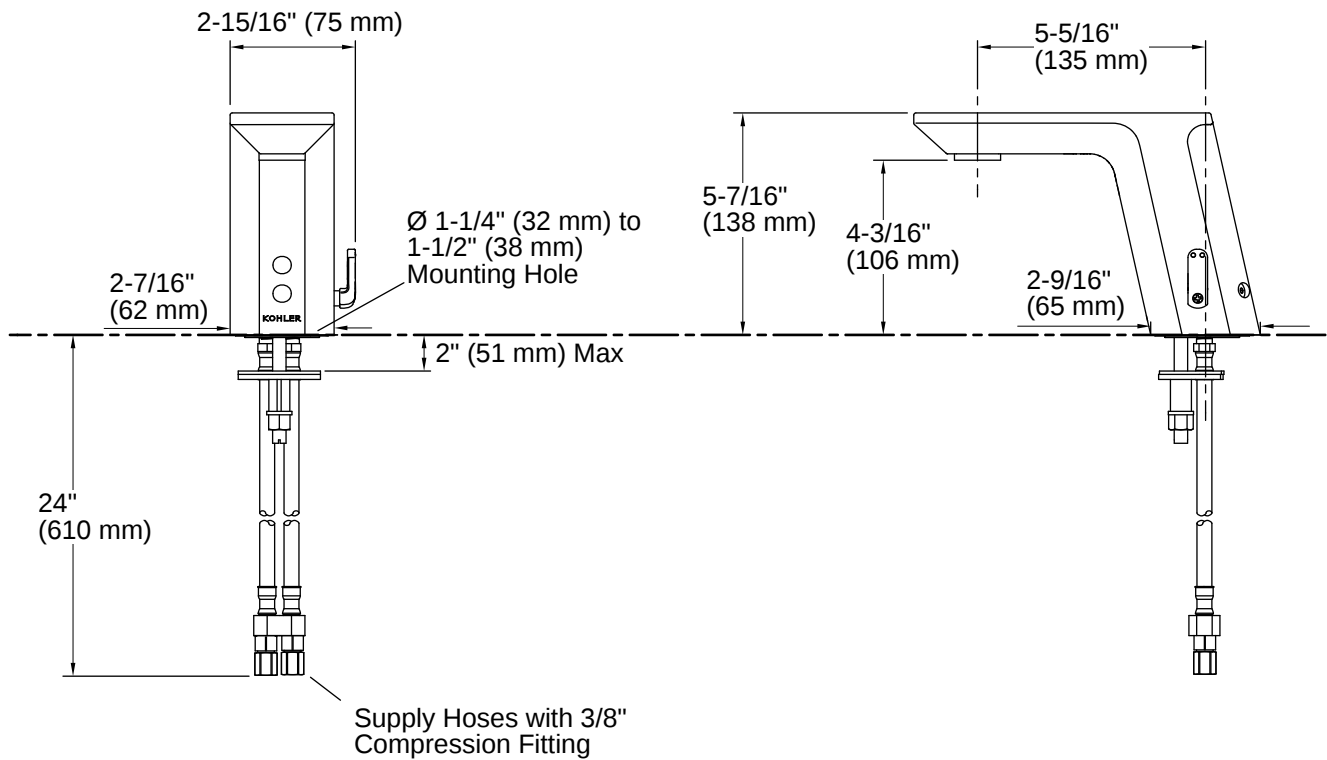
- Electronic Insight™ sensor technology for accurate and consistent activation
-

Warranty

See website for detailed warranty information.

KOHLER® One-Year Limited Warranty





Installation

- Single-hole mounting
- Above-counter battery and valve for easy installation and maintenance

Installation Notes

Install this product according to the installation instructions.

A 1-1/4" (32 mm) minimum to 1-1/2" (38 mm) maximum diameter mounting hole is required.

The minimum distance between the back of the faucet spout and the wall must be 1-3/4" (44 mm). This will allow proper clearance for setscrew access.

The maximum distance between the bathroom sink basin edge to the base of the faucet spout must be 1-3/4" (44 mm).

The maximum height of the lip basin should be 3/4" (19 mm).

Product includes rosebud spray aerator. Other aerator styles are available.

ADA, OBC, CSA B651 compliant when installed to the specific requirements of these regulations.

