

Features

- Durable acrylic construction.
- Easily removes to service pump.
- For use with many KOHLER 5-foot baths and whirlpools.
- 59-7/8" (1521 mm) x 1-3/4" (44 mm) x 18-3/8" (467 mm)



Codes/Standards






ASTM E162
ASTM E662

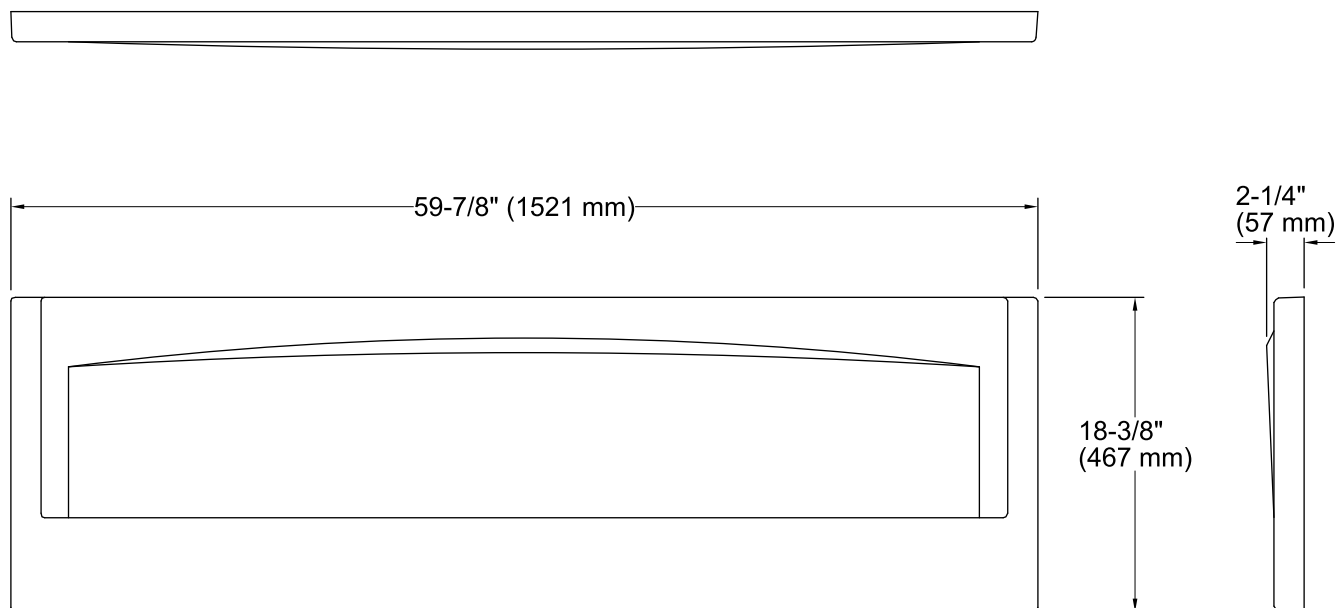
KOHLER® One-Year Limited Warranty

See website for detailed warranty information.

Available Color/Finishes

Color tiles intended for reference only.

Color	Code	Description
	0	White
	96	Biscuit
	47	Almond
	NY	Dune
	G9	Sandbar



Technical Information

All product dimensions are nominal.

Notes

Install this product according to the installation guide.