



Features

- Integral flange.
- Right drain.
- Integral lumbar support and armrests for comfort.
- Textured bottom surface.
- 60" (1524 mm) x 32" (813 mm) x 20" (508 mm)

Material

- Acrylic

Hydrotherapy

- Single-speed whirlpool offers 4 fully adjustable hydro-massage jets for water flow and direction.
- Pump with air switch for whirlpool.

Installation

- Alcove

Recommended Accessories

- K-7161-AF Bath Drain
- K-9694 4-Jet Trim Kit
- K-24916 Wireless Music Kit
- K-1278 Removable Apron
- K-1491 Bath/Whirlpool Pillow
- K-1601 Bath/Whirlpool Footstop
- K-7213 27" Cable Bath Drain
- K-7214 27" Cable Bath Drain
- K-7259 Clearflo Bath Drain
- K-702200-G54 Frameless Sliding Bath Door
- K-702200-G73 Frameless Sliding Bath Door
- K-702200-L Frameless Sliding Bath Door
- K-702205-L Frameless Sliding Bath Door



Codes/Standards

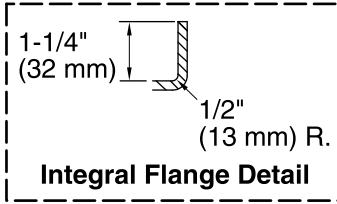
- ASME A112.19.7/CSA B45.10
- CSA B45.5/IAPMO Z124
- ASTM E162
- ASTM E662
- UL 1795
- Greenguard UL 2818 - Gold
- CARB P2

KOHLER® One-Year Limited Warranty

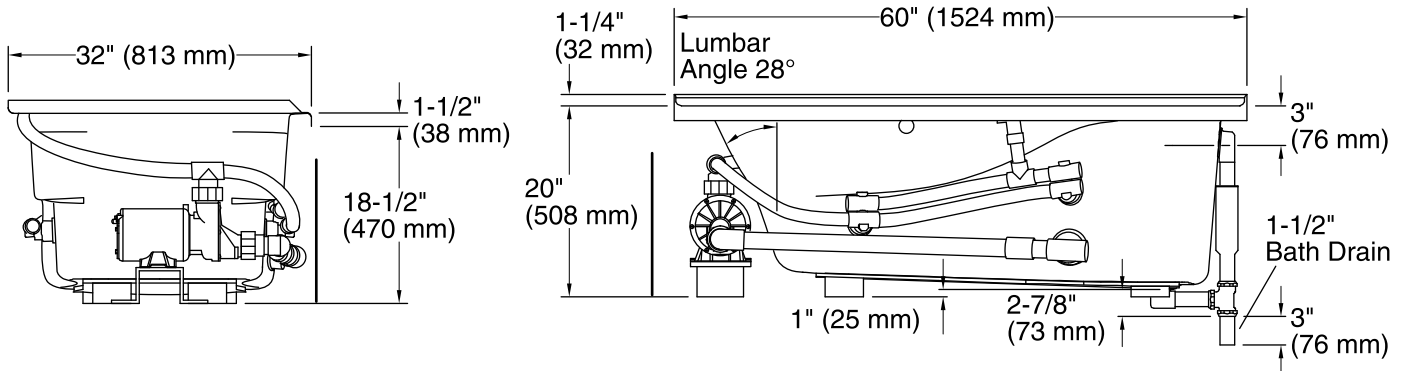
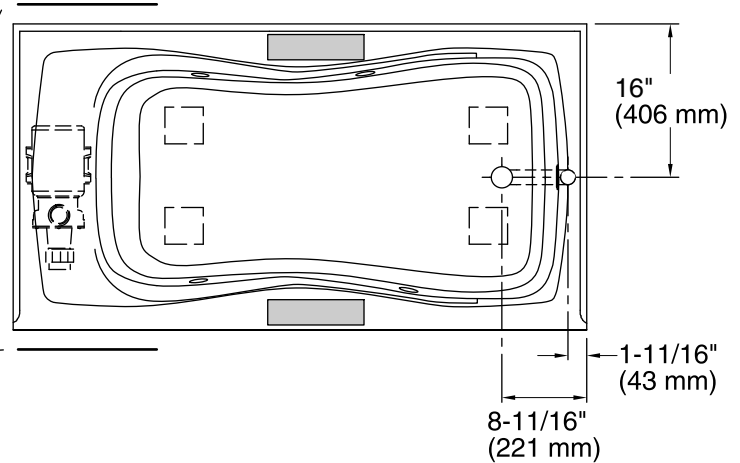
See website for detailed warranty information.

No change in measurements if connected with drain illustrated. (K-7161-AF)

■ Recommended Faucet Area



Pump/Control Access
(If Apron Is Not Used)
20" (508 mm) W x 15" (381 mm) H



Required Electrical Service

One dedicated circuit required, protected with Class A Ground-Fault Circuit-Interrupter (GFCI) or Residual Current Device (RCD).

Pump: 120 V, 15 A, 60 Hz

Technical Information

All product dimensions are nominal.

Installation: 3-Wall Alcove
 Drain location: Right
 Basin area, bottom: 47" x 20" (1194 mm x 508 mm)
 Basin area, top: 53" x 23" (1346 mm x 584 mm)
 Weight: 100 lbs (45.4 kg)
 Minimum floor load: 50 lbs/ft² (244.1 kg/m²)
 Water depth: 14-1/2" (368 mm)
 Water capacity: 64 gal (242.3 L)
 Electrical component rating: Pump: 120 V, 7.5 A, 60 Hz
 Pump speed: Single
 Minimum flat for door: 2-3/8" (60 mm)

Notes

Measure your actual product for rough-in details.

Install this product according to the installation instructions.

The hot water supply should be 70% of the capacity of the bath or greater. Installations will vary.

Provide one grounded electrical outlet within 24" (610 mm) of each component.

Rim-mount faucet installations: Before drilling the mounting holes, ensure the faucet does not interfere with the drain overflow and circulating system.

Deck-mount spout installations: Consult local and national codes for minimum air gap requirements.

The apron (if used) must be installed before the finished floor and wall materials are installed.