

Features

- Requires an AC power supply.
- Required for Purist® and Falling Water® wall-mount Touchless faucets.
- 0.5 gal/min (1.9 l/min) flow rate.
- 30 second maximum cycle time.
- Ideal for use with KOHLER Vessels.

Material

- Brass construction.

Technology

- Insight™ adaptive infrared technology.
- Does not require battery or power cell.

Installation

- Adjustable sensor/spout distance.
- 13480-A or 13481-A power supplies are designed for North America outlets

Required Accessories

K-13480 AC Single Supply

or

K-13480-A

or

K-13481 Multi-outlet Power Supply

or

K-13481-A



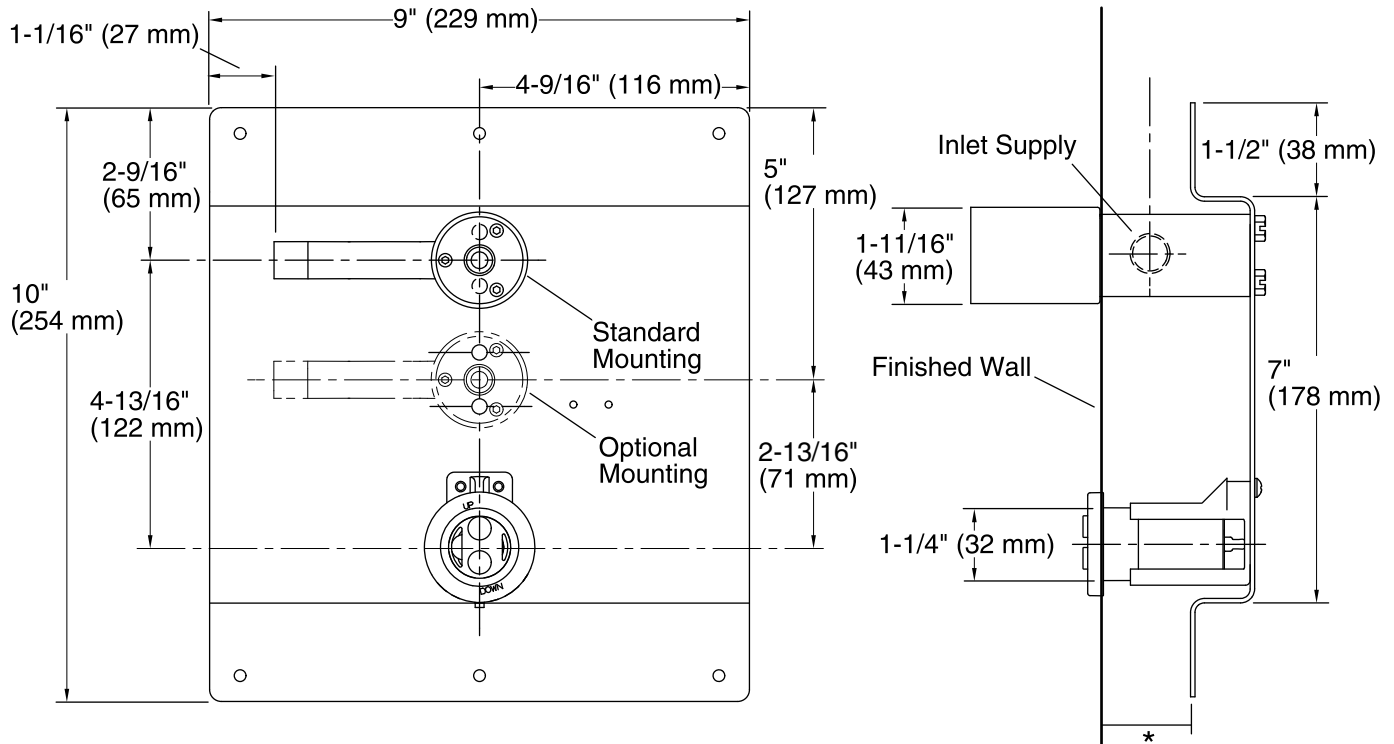
ADA

Codes/Standards

ASME A112.18.1/CSA B125.1
NSF 372
ADA
ICC/ANSI A117.1

KOHLER® Faucet Lifetime Limited Warranty

See website for detailed warranty information.



*Roughing-in range varies depending on faucet trim. Consult the faucet trim specification sheet for dimensions.

Technical Information

All product dimensions are nominal.

Valve body: Cast Brass

Faucet:

Flow rate: 0.5 gal/min (1.9 l/min)

Pressure: 45 psi (3.1 bar)

Notes

Install this product according to the installation guide.

Reference the installation instructions for specific framing information.

Standard mounting for use with faucet trim: K-T11836, K-T11839, K-T11840, and K-T11841.

Standard or Optional mounting for use with faucet trim: K-T11837 and K-T11838.

Requires an AC power supply (not included).

ADA compliant when installed to the specific requirements of these regulations.