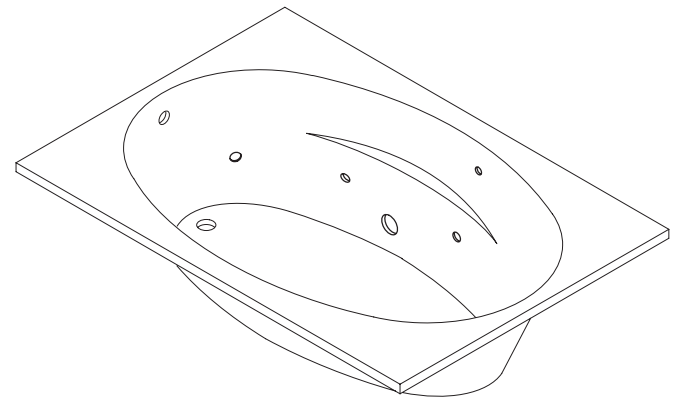


### ACRYLIC BATH WHIRLPOOL

# K-1126, K-1126-L/-R

## FEATURES

- 60" (152.4cm) x 42" (106.7cm) x 18-1/8" (46cm)
- Acrylic
- Drop-in or 3-wall alcove
- 6 individually adjustable ProFlex hydro-massage jets
- 1-1/4 HP pump with air switch and cord with plug
- Molded lumbar supports and armrests
- UL listed
- Optional K-1284 separate apron
- Optional K-9696 whirlpool trim kit in various finishes
- Optional K-1639 timer kit



## CODES/STANDARDS APPLICABLE

Specified model meets or exceeds the following:

- ASME/ANSI A112.19.7M
- ANSI Z124.1
- IAPMO/UPC
- Underwriters Laboratories (UL)
- State of Massachusetts

## COLORS/FINISHES

- 0 White
- Other Refer to Fixtures Price Book for additional colors

### Accessories:

- CP Polished Chrome
- PB Polished Brass
- Other Refer to Price Book for additional finishes
- NA None Applicable

## SPECIFIED MODEL:

Model	Description	Colors/Finishes	
K-1126	Whirlpool, drop-in (shown)	<input type="checkbox"/> 0 White	<input type="checkbox"/> Other _____
K-1126-L	Whirlpool, left drain hole, tile flange	<input type="checkbox"/> 0 White	<input type="checkbox"/> Other _____
K-1126-R	Whirlpool, right drain hole, tile flange	<input type="checkbox"/> 0 White	<input type="checkbox"/> Other _____

Recommended Accessories			
K-11677	Drain		<input type="checkbox"/> CP

Optional Accessories			
K-1284	Separate apron with removable panel for front access	<input type="checkbox"/> 0 White	<input type="checkbox"/> Other _____
K-9696	Jet trim kit (metal finishes)	<input type="checkbox"/> CP <input type="checkbox"/> PB	<input type="checkbox"/> Other _____
K-1639	Timer Kit		<input type="checkbox"/> NA

## PRODUCT SPECIFICATION:

The bath whirlpool shall be 60" (152.4cm) in length, 42" (106.7cm) in width, and 18-1/8" (46cm) in height. Bath whirlpool shall be made of acrylic, drop-in or 3-wall alcove installation. Bath whirlpool shall have 6 individually adjustable ProFlex hydro-massage jets, 1-1/4 HP pump with air switch and cord with plug. Bath whirlpool shall have molded lumbar supports and armrests. Bath whirlpool shall be UL listed. Bath whirlpool shall have optional K-1284 separate apron. Bath whirlpool shall have optional K-9696 trim kit. Bath whirlpool shall have optional K-1639 timer kit. Bath whirlpool shall be Kohler Model K-1126-\_\_\_\_\_ -\_\_\_\_\_.

# PROFLEX™ 6042

## PRODUCT INFORMATION

Fixture*:	basin area	top area	weight	
Bathing well	46" (116.8cm) x 21" (53.3cm)	55" (139.7cm) x 31" (78.7cm)	67-1/2 lbs. (30.6kg)	
	water depth	capacity		
To overflow	14" (35.6cm)	57 gal. (215.8L)		
* Approximate measurements for comparison only.				
Pump:	HP	V	Hz	A
1-speed	1-1/4	120	60	7.5

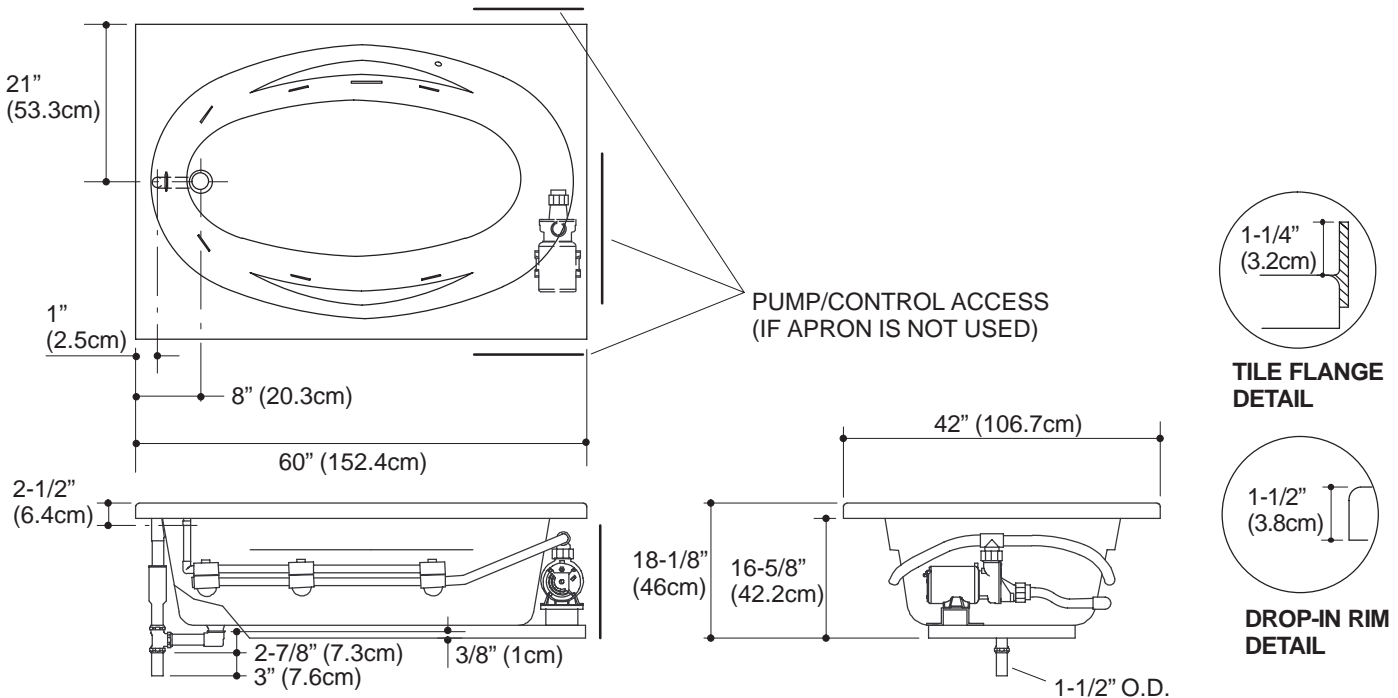
## REQUIRED ELECTRICAL SERVICE

Dedicated circuit required, protected with Class A Ground-Fault Circuit-Interrupter (GFCI):	
Pump/control	120 V, 15 A, 60 Hz
Locate the outlet behind the whirlpool and within 24" (61cm) of the pump.	

## INSTALLATION NOTES

Install this product according to the installation guide. Floor support under whirlpool must provide for a minimum of 80 lbs./square foot (390 Kg./square meter) loading. The apron must be installed before the finish floor and wall materials are installed.

No change in measurements if connected with drain illustrated. (K-11677 or K-11677M)		
Drop-in cut-out	58-1/4" (148cm) x 40-1/2" (102.9cm)	
Minimum access panel:		
Pump/control	20" (50.8cm) W x 15" (38.1cm) H	required



## PRODUCT DIAGRAM