

For:batch

Printed on:Sun, Dec 6, 1998 15:17:20

Document:111458_2 (AA_A) VIEW

Last saved on:Sun, Dec 6, 1998 15:17:19

INSTALLING THE OPTIONAL APRON

APRON MUST BE INSTALLED BEFORE FINISHED FLOOR.

The following instructions illustrate the installation of the K-1435 removable apron. The apron can be used as access to the pump and controls and should be installed before the finished floor is laid. The apron trim strip is installed after the finish floor is completed.

IMPORTANT: BEFORE INSTALLING THE APRON, FILL THE BATH WITH WATER AND TEST THE WHIRLPOOL SYSTEM FOR PROPER OPERATION AND LEAKS.

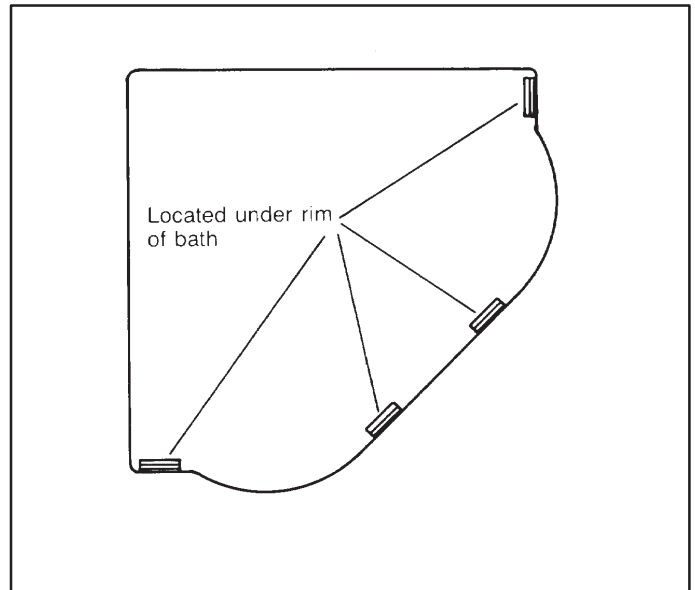
- The following materials are supplied for installing the optional K-1435 apron:
 - (1) apron with velcro attachments
 - (1) vinyl apron trim strip with velcro attachments
 - (2) apron columns
 - (4) predrilled blocks with drywall screws
 - (4) apron wedges to aid in installation
 - (8) screws and washers

2. **Refer to Fig. #1.** Two people are required to do this job. Use the wood wedges provided to help you temporarily prop up the apron during the following procedure. Temporarily place apron into grooved blocks on underside of rim. Mark locations of floor blocks at pre-drilled holes at bottom of apron. Remove apron.

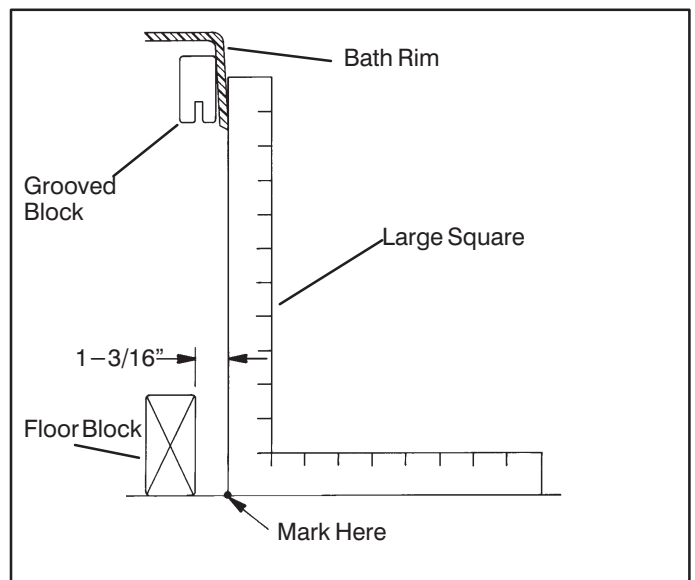
3. **Refer to Fig. #2.** Use a large square in the position shown to determine how far back the floor blocks should be installed. Make a mark on the floor where indicated and measure back $1-3/16"$. Install blocks to floor locations shown in Fig. #3. The blocks are pre-drilled -- screw down to floor with screws provided. For concrete installations, provide suitable anchors.

4. Install vinyl columns as shown in Fig. #4 and #5. Columns are attached to stud walls using screws and washers provided. Columns should be installed so that they are flush with the bath rim.

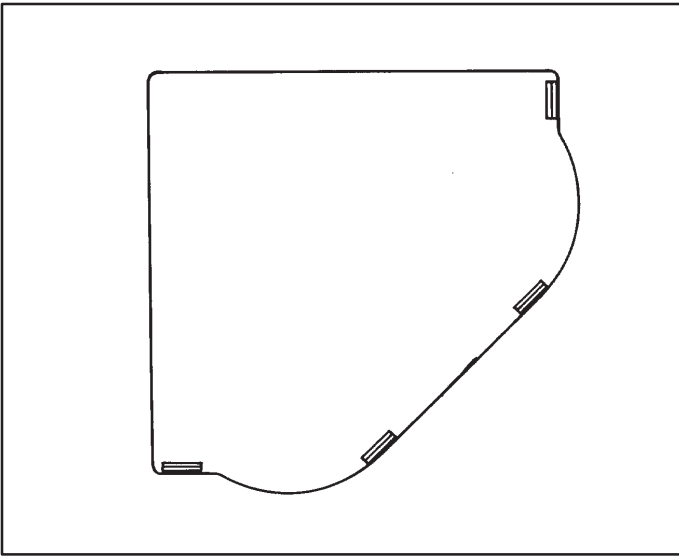
5. **Refer to Fig. #6.** Slip apron up into grooves on underside of bath rim. Use shims to position apron to proper fit. Make sure there is a $1/16"$ gap between the rim of the bath and the apron to allow for deflection. Drill holes into wood blocks for screws and washers. Screw apron to wood blocks through pre-drilled holes at pre-marked locations using screws and washers provided. **Screws must be countersunk as shown in Fig. #6.** At this time install finished floor.



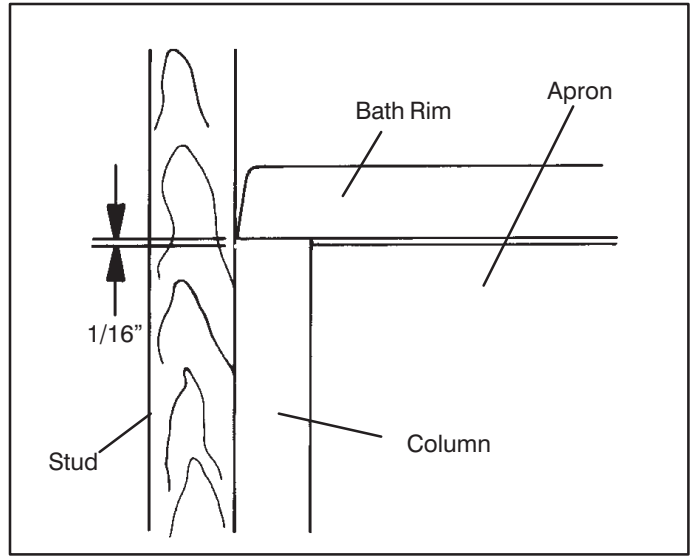
**Grooved Block Locations
Fig. #1**



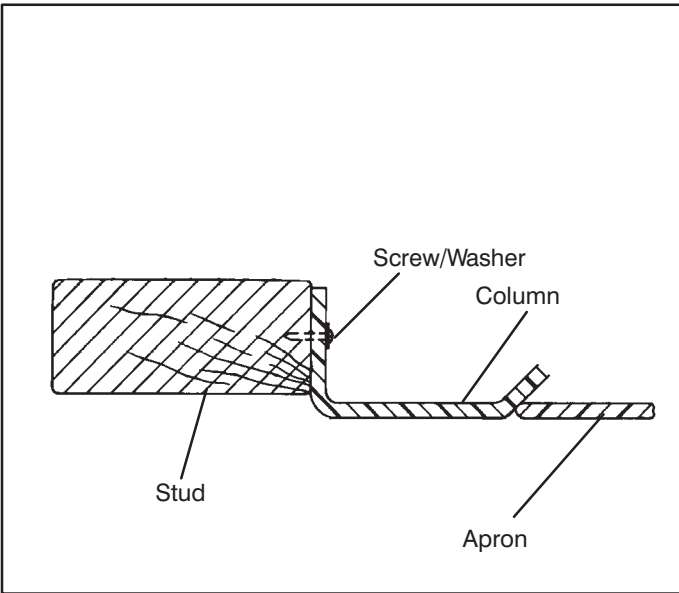
**Determining the Block Locations
Fig. #2**



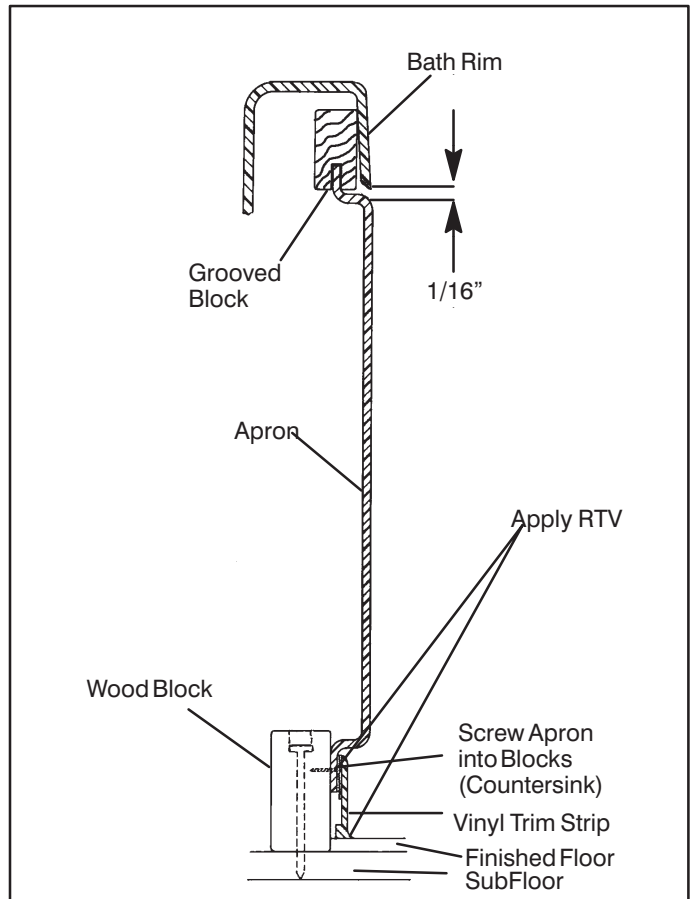
**Floor Block Locations
Fig. #3**



**Column Installation Front View
Fig. #5**



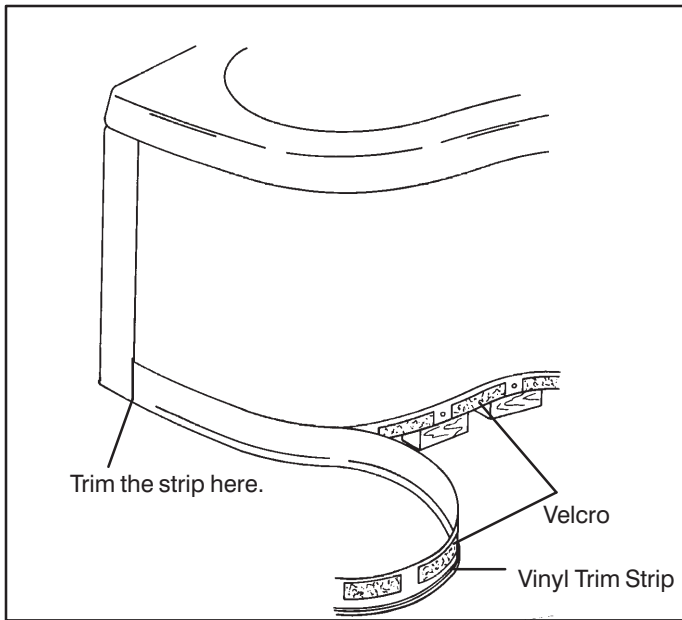
**Wall Column Installation Top View
Fig. #4**



**Apron/Block/Trim Strip Cross-Section
Fig. #6**

6. **Refer to Fig. #7.** Install vinyl trim strip to bottom of apron. The trim strip attaches with velcro. Trimming of the strip is required. Cut it at an angle so it mates at the column as shown. After the strip is trimmed and installed, place a small bead of RTV silicone sealant to the top and bottom of the entire length of the strip **as shown in Fig. #6.**

7. **Servicing the Apron.** When servicing the unit, first remove the trim strip, then the screws at the bottom of the apron. The apron can now be removed by sliding it out.



**Installing the Vinyl Trim Strip
Fig. #7**

LIMITED ONE-YEAR WARRANTY

Kohler plumbing fixtures and fittings are warranted free of manufacturing defects.

Kohler Co. will at its election, repair, replace, or make appropriate adjustment where Kohler Co. inspection discloses any such defects occurring in normal usage within one year after installation. **Kohler Co. is not responsible for installation costs.**

To obtain warranty service, contact Kohler Co. either through your Dealer or Plumbing Contractor or by writing Kohler Co., Attn: Customer Service Department, 444 Highland Drive, Kohler, WI 53044 U.S.A., or by calling **1-800-4-KOHLER** from within the U.S.A.

Implied warranties, including that of merchantability and fitness for a particular purpose, are expressly limited in duration to the duration of this warranty. To the extent permitted by law, Kohler Co. disclaims all implied warranties including merchantability and fitness for a particular purpose. Kohler Co. disclaims any liability for special, incidental, or consequential damages.

Some states do not allow limitations on how long an implied warranty lasts, or the exclusion or limitation of incidental or consequential damages, so this limitation and exclusion may not apply to you. This warranty gives you specific legal rights. You may also have other rights which vary from state to state.

This is our exclusive written warranty.

KOHLER CO, KOHLER, WISCONSIN 53044

FOR CARE AND CLEANING INSTRUCTIONS, PLEASE REFER TO THE OWNER'S MANUAL PACKED WITH THE WHIRLPOOL

