

KOHLER® Roughing-In

K-1257-H, K-1257-LH, K-1257-RH MARIPOSA® BATH WHIRLPOOL WITH IN-LINE HEATER

Product Information

Applicable products:	
Bath whirlpool with in-line heater – drop-in rim style	K-1257-H
Bath whirlpool with in-line heater – 3-side integral flange, left drain	K-1257-LH
Bath whirlpool with in-line heater – 3-side integral flange, right drain	K-1257-RH

Fixture*:	
Bathing well:	
Basin area, bottom	50" (127 cm) x 24" (61 cm)
Basin area, top	65" (165.1 cm) x 27" (68.6 cm)
Weight	115 lbs (52.2 kg)
To overflow:	
Water depth	14" (35.6 cm)
Capacity	72 gal (272.5 L)
* Approximate measurements for comparison only.	

Drop-in cut-out	70" (177.8 cm) x 34" (86.4 cm)
-----------------	--------------------------------

Pump:	V	Hz	A	
1-speed	120	60	7.5	
Heater:	kw	V	Hz	A
	1.5	120	60	12.5

Minimum access panel for pump/control	
20" (50.8 cm) W x 15" (38.1 cm) H	required

Required Electrical Services

Two dedicated circuits required, each protected with Class A Ground-Fault Circuit-Interrupter (GFCI):	
Pump/control	120 VAC, 15 A, 60 Hz
Heater	120 VAC, 15 A, 60 Hz
Locate the outlet behind the whirlpool and within 24" (61 cm) of the pump and heater.	

Installation Notes

Install this product according to the installation guide.

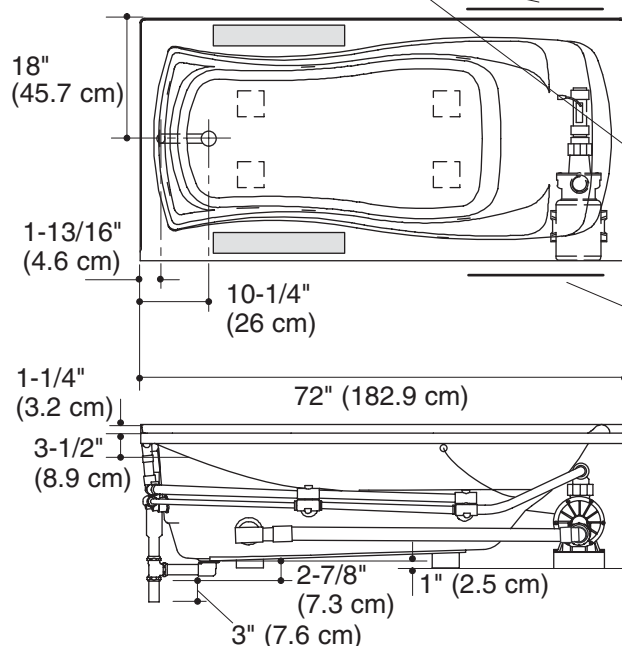
Floor support under whirlpool must provide for a minimum of 41 lbs/square foot (201 kg/square meter) loading.

The apron must be installed before the finished floor and wall materials are installed.

If installing a rim-mount faucet, make sure there is no interference with drain overflow and circulating system before drilling any holes. Consult local and national codes for minimum air gap requirements if installing a spout on the faucet deck.

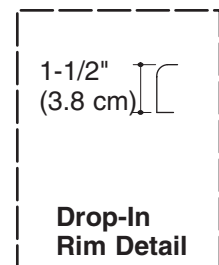
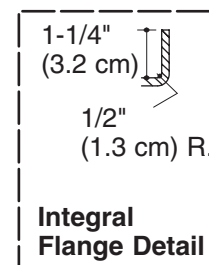
Fixture conforms to ANSI Standard Z124.1.2. All dimensions are nominal.

Pump/Control Access (If Apron Is Not Used):
20" (50.8 cm) W x 15" (38.1 cm) H



No change in measurements if connected with drain illustrated. (K-11677 or K-11677M)

Recommended Faucet Area



Pump/Control Access
(If Apron Is Not Used):
20" (50.8 cm) W x 15"
(38.1 cm) H

