



Brenham™
Wall-Mount Bathroom Sink
K-1997-1NL

Features

- With hanger.
- Without overflow.
- Drilled for concealed arm carrier.
- Soap dispenser hole on left.
- 21-15/16 " (557 mm) x 19-3/4 " (502 mm)

Material

- Vitreous china.
- Single-hole drilling.

Installation

- Wall-mount installation.

Optional Accessories

- K-8998 P-Trap
- K-1998 Shroud

Components

Additional included component/s: Hanger (2 required).



ADA **CSA B651** **OBC**

Codes/Standards

ASME A112.19.2/CSA B45.1
ADA
ICC/ANSI A117.1
CSA B651
OBC

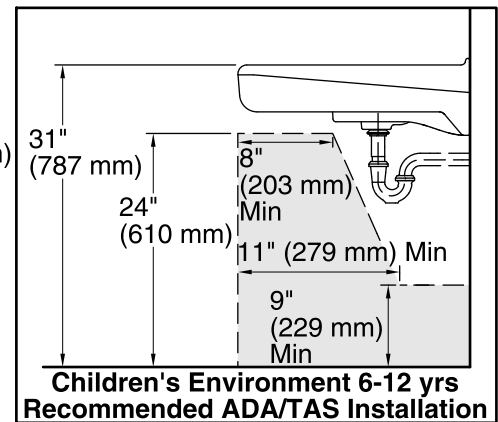
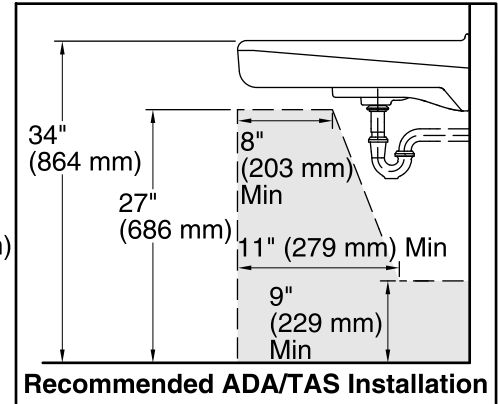
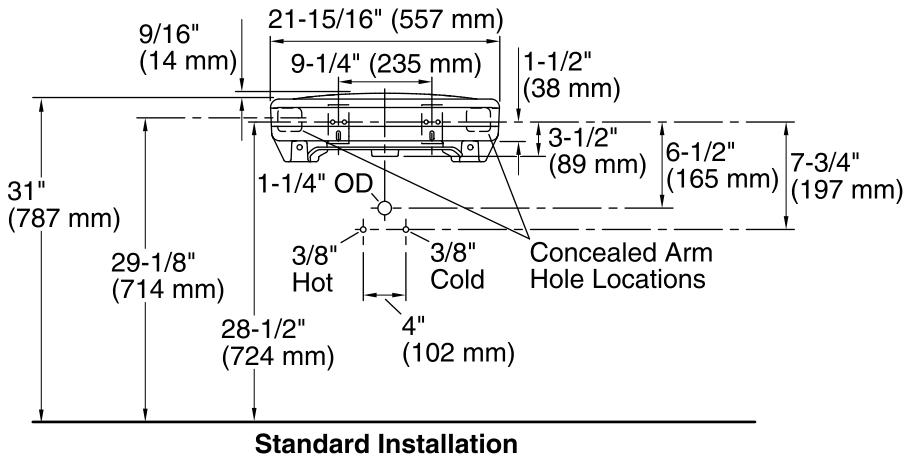
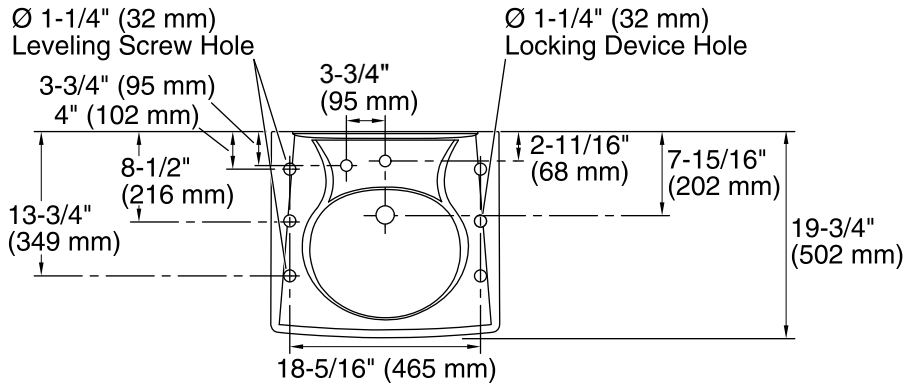
See website for detailed warranty information.

Available Color/Finishes

Color tiles intended for reference only.

Color Code Description

■ 0 White



Technical Information

All product dimensions are nominal.

Bowl configuration:	Single
Installation:	Wall-mount
Bowl area (Only)	Length: 14-3/8" (365 mm) Width: 12-5/16" (313 mm) With overflow: Yes Water depth: 3-1/4" (83 mm)
Bowl area	With overflow: Yes
Number of deck holes:	2
Faucet hole(s):	1-3/8" (35 mm)
Soap/Lotion hole:	1-1/4" (32 mm)
Drain hole:	1-3/4" (44 mm)

Notes

Install this product according to the installation instructions.

ADA, OBC, CSA B651 compliant when installed to the specific requirements of these regulations.