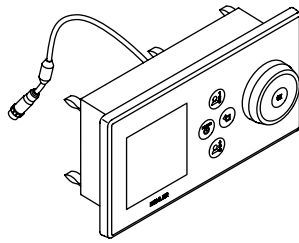


# Installation Guide

## Digital Interface

K-176



**M** product numbers are for Mexico (i.e. K-12345**M**)  
Los números de productos seguidos de **M** corresponden a México  
(Ej. K-12345**M**)  
Français, page "Français-1"  
Español, página "Español-1"

THE BOLD LOOK  
OF **KOHLER**®

# IMPORTANT INSTRUCTIONS



**WARNING:** When using electrical products, basic precautions should always be followed, including the following:



**DANGER: Risk of electric shock.** Connect only to circuits protected by a Ground-Fault Circuit-Interrupter (GFCI) or Residual Current Device (RCD). **Grounding is required.** The unit should be installed and grounded by a qualified service representative.



**WARNING: Risk of electric shock.** A licensed electrician should route all electrical wiring.



**WARNING: Risk of electric shock.** Disconnect power before servicing.



**WARNING: Risk of injury or property damage.** Please read all instructions thoroughly before beginning installation.

**NOTICE:** Follow all plumbing, electrical, and building codes.

## Specifications

### Interface

Ambient Temperature	Max 125°F (52°C)
Maximum Relative Humidity	100% condensing (External surface only)
Digital Interface Cable Length (supplied with digital interface)	30 ft (9.14 m)

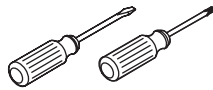
### Media Module

Ambient Temperature	Max 104°F (40°C)
Maximum Relative Humidity	95% non-condensing
<b>Electrical Service</b>	100-240 V, 50/60 Hz, 2.0-0.83 A
Media Module	100-240 V, 50/60 Hz, 2.0-0.83 A
Valve Cable Length (supplied)	30 ft (9.14 m)
Line-in Cable Length	5.6 ft (1.71 m)
Ethernet Cable Length	30 ft (9.14 m)

## Tools and Materials



Pencil



Screwdrivers



Level

**Plus:**

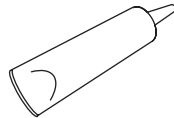
- Shims
- Suction Cup (Provided)



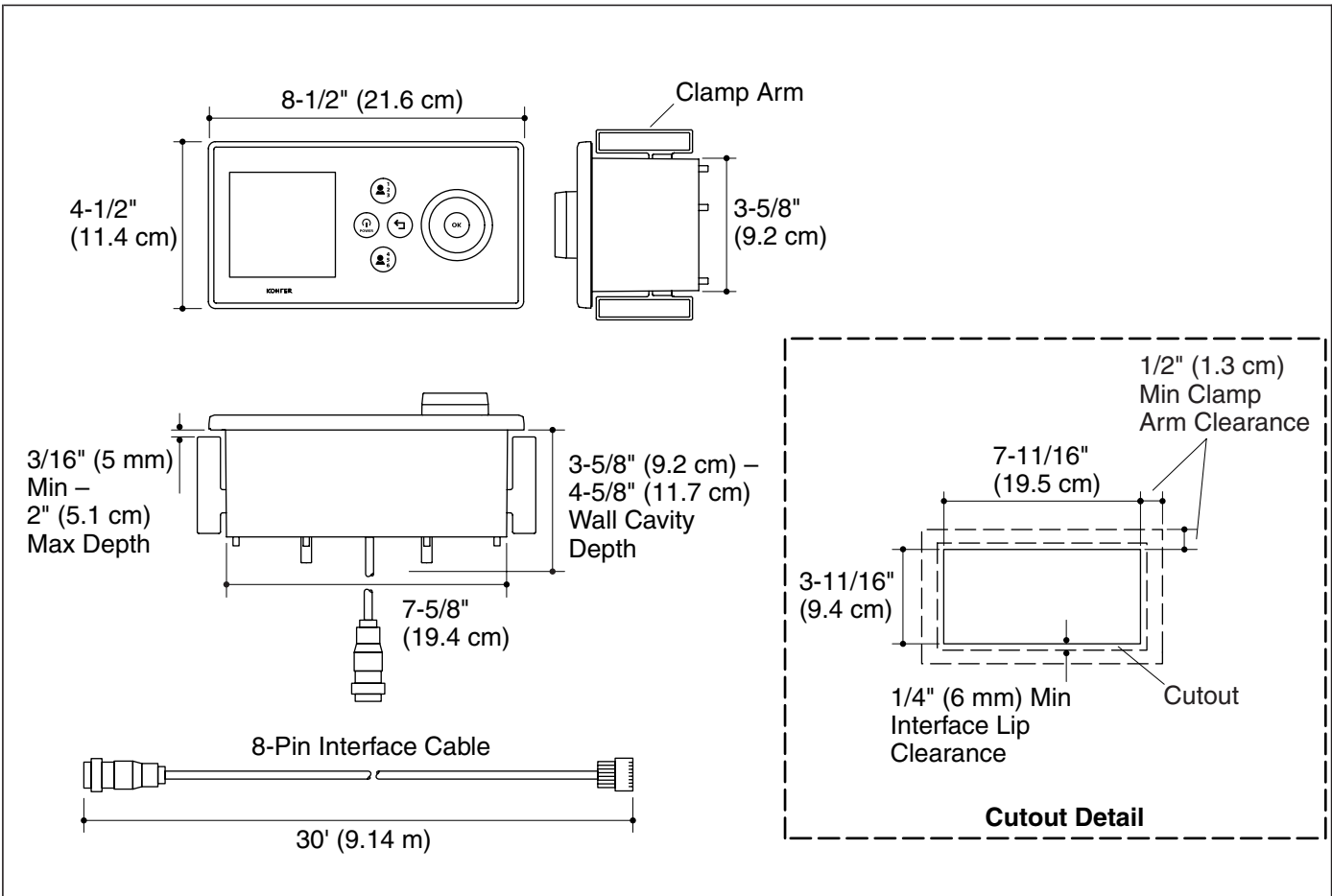
Jigsaw/Saber Saw



Drill



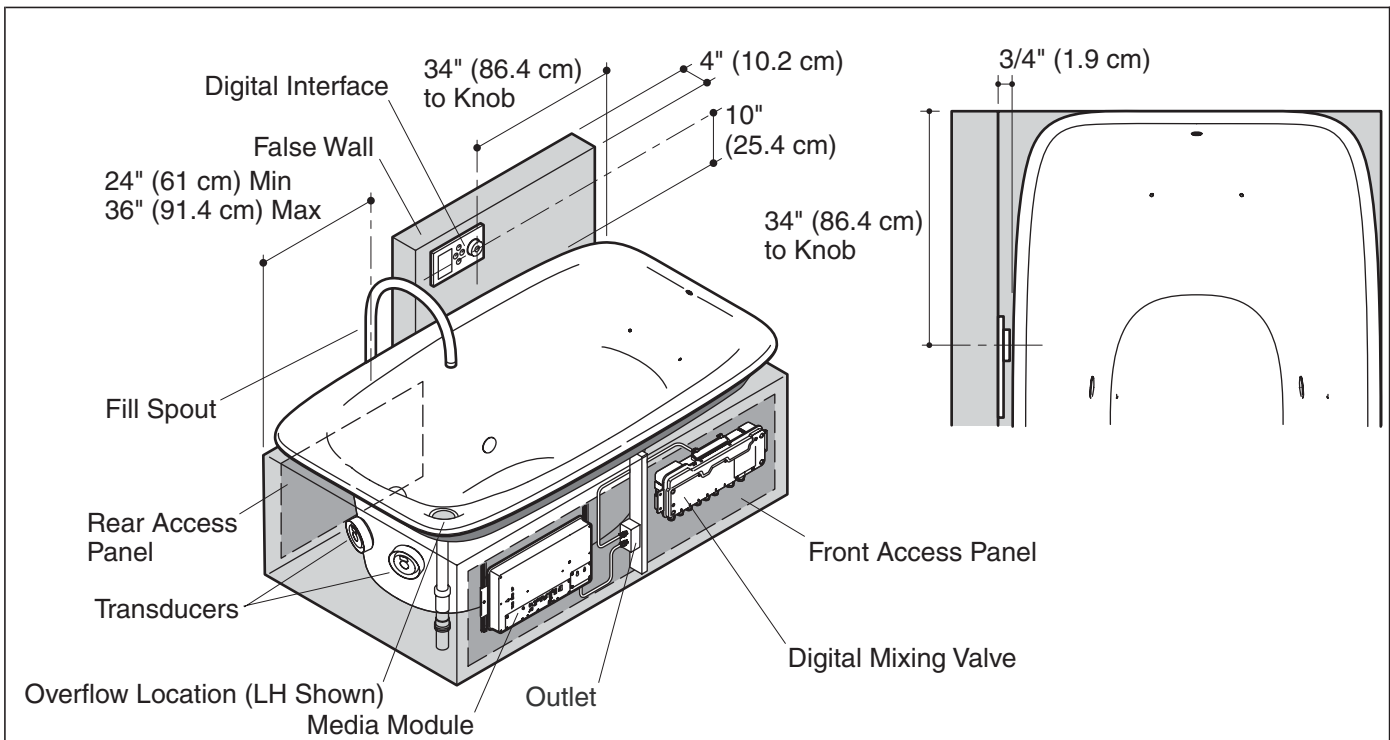
Sealant



## Roughing-In

### Before You Begin

- Observe all local plumbing, building, and electrical codes.
- Read these instructions and determine all required components along with their installation locations before beginning this installation.
- A licensed electrician should install a 15 A 120 V GFCI electrical outlet, within the stud framing, in close proximity to the electronic valve and media module. The interface is powered through the connection with the media module.
- Install the valve and media module prior to installing the interface.
- Kohler Co. reserves the right to make revisions in the design of our products without notice, as specified in the Price Book.



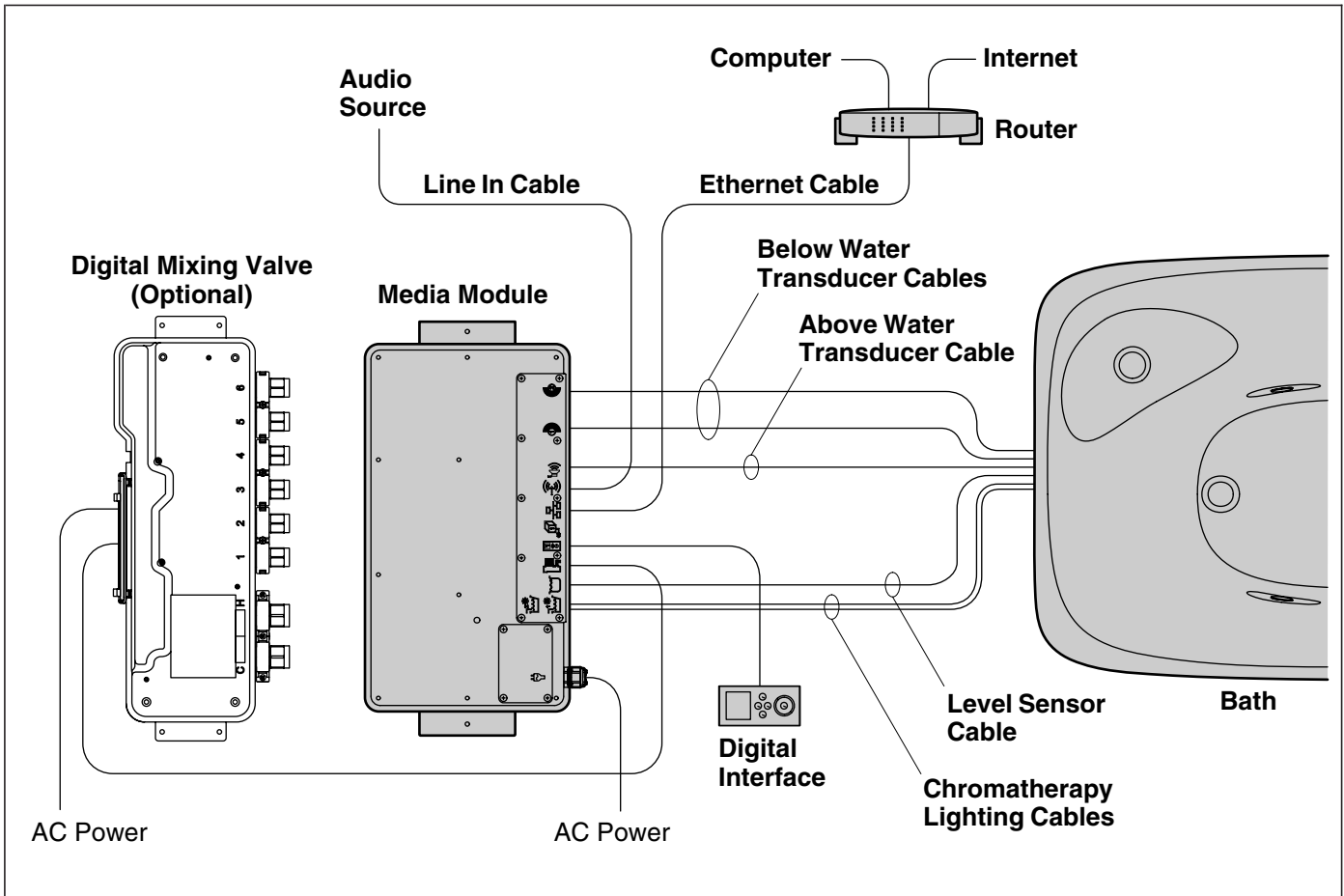
## Installation Overview

For best results, follow the recommended installation sequence below. Refer to content in this guide as well as the Installation Guides packed with each component of your bathing system.

**NOTE:** Illustration above shows a typical installation with the preferred installation locations for the digital interface, media module and the digital mixing valve (optional).

### Recommended Installation Sequence

- Determine the installation location for the media module, and digital mixing valve (if used).
- Frame the island for the bath. Provide a properly dimensioned stud pocket for the media module (required) and the digital mixing valve (optional).
- Determine the location for the access panels (required) for servicing the bath transducers, media module, and digital mixing valve (if used). Plan the island construction accordingly.
- Install the island deck. Use the cut-out templates supplied with the bath when preparing the deck.
- Frame the false wall for the digital interface.
- Route all plumbing to include: supply lines (spout and handshower), drain line, and valve (if applicable).
- Install the electrical outlet(s) in close proximity to the media module and valve (optional) installation location(s).
- Route the Ethernet cable to a router, if applicable.
- Route the digital interface cable to the media module.
- Finish the false wall.
- Install the digital interface and media module. Follow the installation instructions packed with each product.
- Install the bath and drain.
- Connect all cables.
- Finish the island walls and install the front and rear access panels.

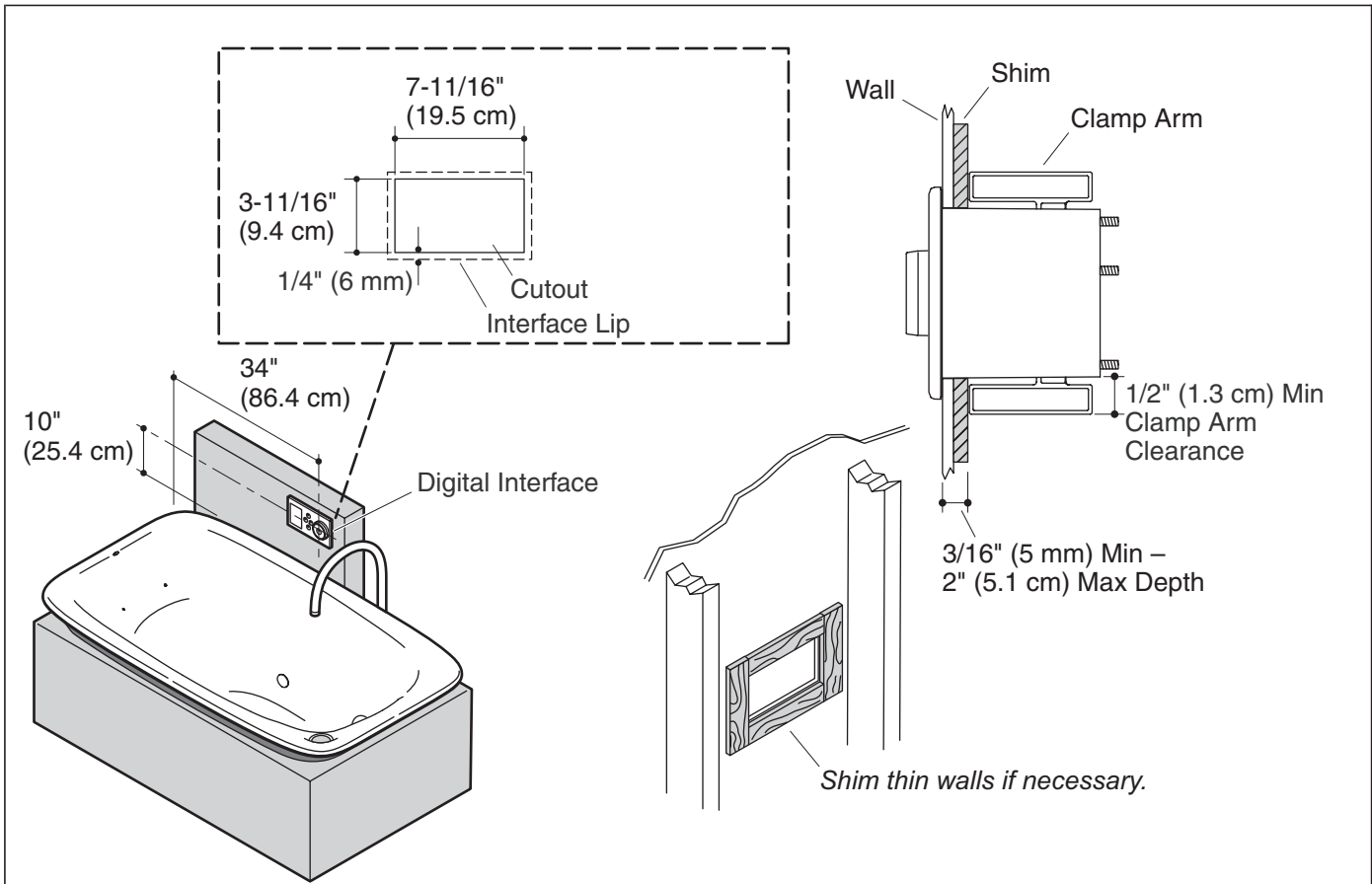


## 1. Components

The digital interface controls the digital mixing valve, transducers, "Smart Fill" level sensor, chroma lighting, and music through the media module.

Cables are available for connecting audio (line in) and Ethernet to the media module.

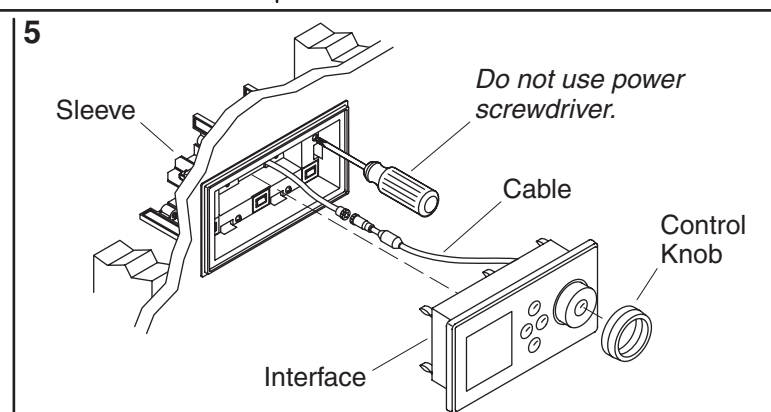
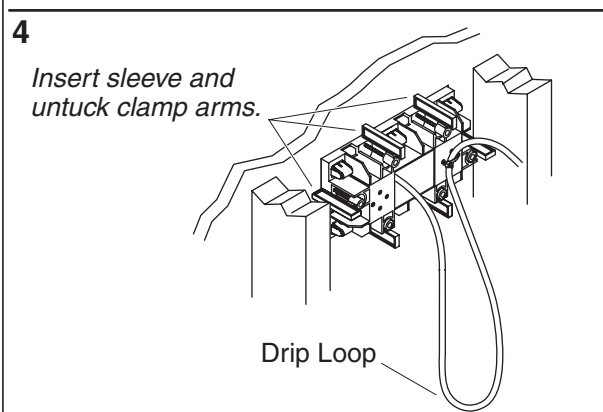
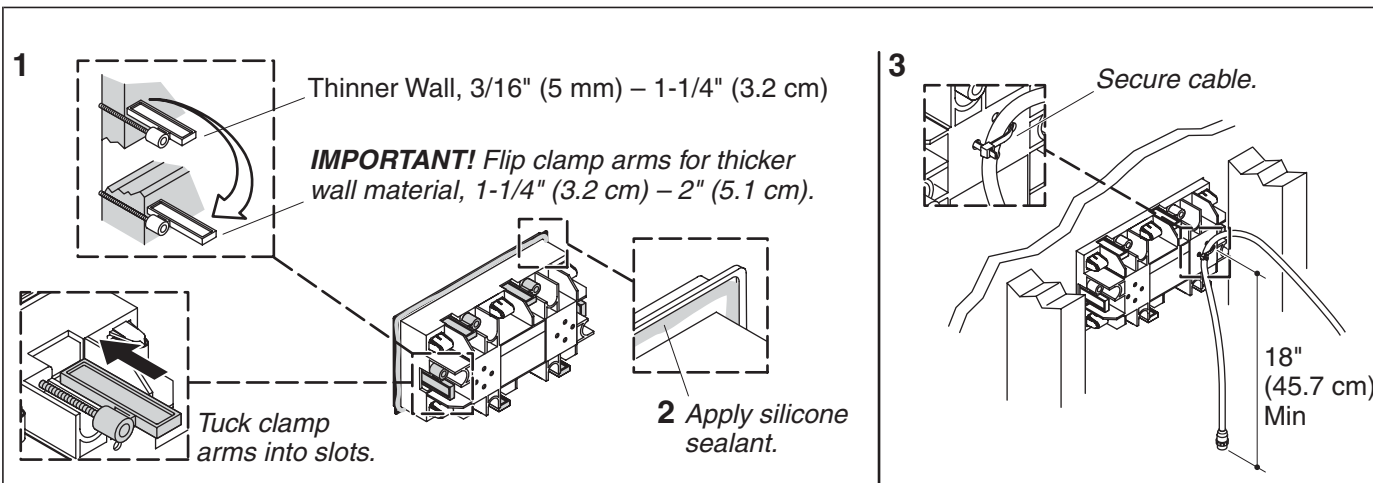
- Determine all required components along with their installation locations before beginning this installation.
- Verify the components are located so the connection cables easily span the distance between the connection points.
- Refer to the installation guides packed with each product for specific installation needs.



## 2. Prepare the Site

**NOTE:** Allow for a 1/4" (6 mm) overlap for the lip of the wall sleeve and a minimum clearance of 1/2" (1.3 cm) around the back of the opening to enable the clips to fully engage.

- Refer to the rough-in information. With a pencil, mark the cut lines onto the finished wall.
- Carefully cut out the opening in the finished wall following the penciled guidelines.
- For thin finished wall materials of less than 3/16" (5 mm), shim around the back of the opening to provide adequate support for mounting the interface wall sleeve.



### 3. Install the Interface



**CAUTION: Risk of product damage.** Do not use power screwdrivers to install the interface.

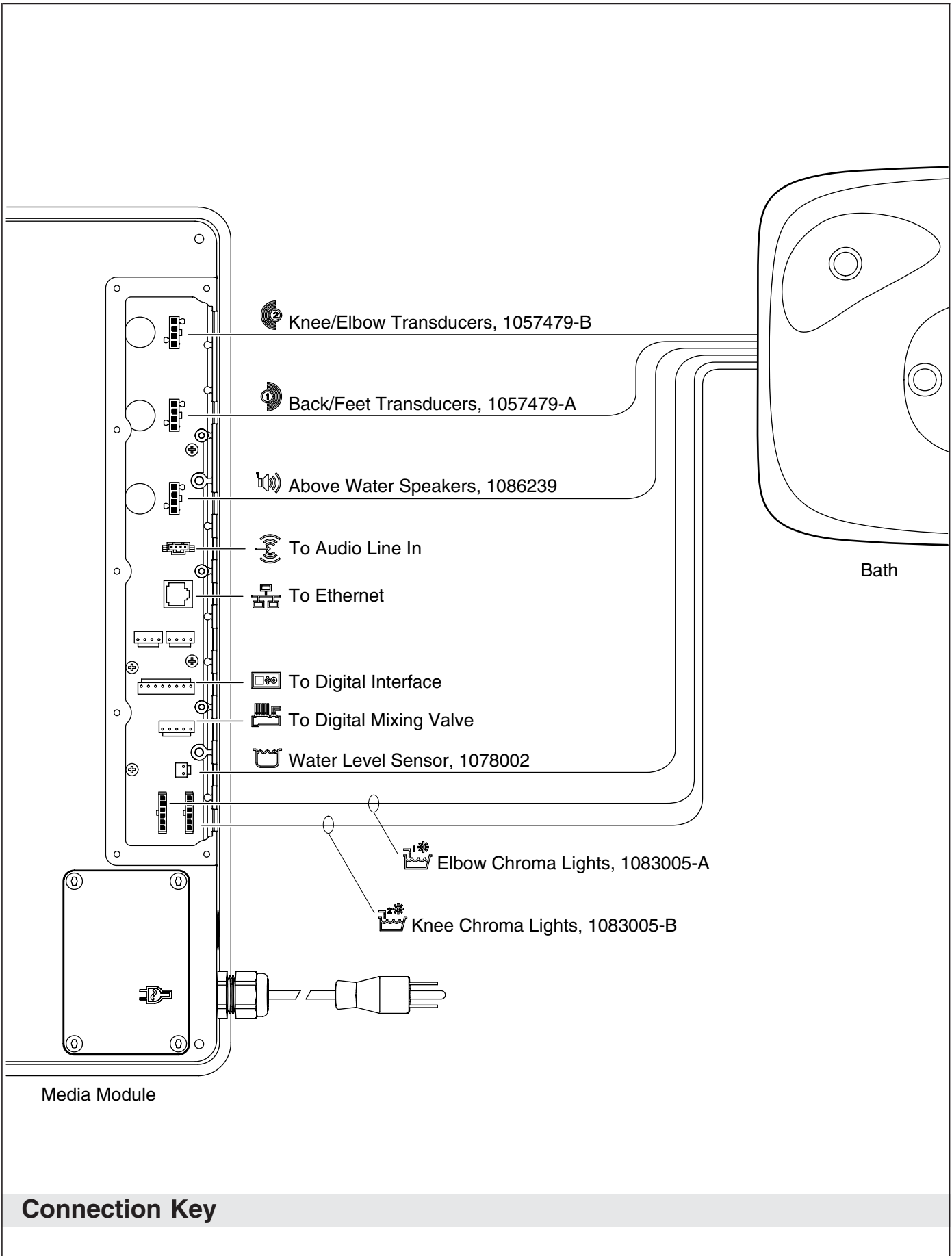
**NOTE:** The clamp arms can be removed and turned upside down to allow installation to thicker walls.

- Measure the finished wall thickness.
- If appropriate, flip the clip arms to accommodate thicker wall materials. Refer to the above illustration.
- Secure the interface cable, from the media module, with a zip tie to the back of the wall sleeve allowing approximately 18" (45.7 cm) of cable to hang free.
- Insert the free end of the interface cable into the opening of the wall sleeve.
- Tuck the clamp arms into the slots of the sleeve.
- Apply a bead of silicone sealant into the groove around the backside of the sleeve lip.
- Insert the sleeve into the cutout.
- Turn the clamp arms so that they are perpendicular to the opening.
- Handtighten the screws. Do not overtighten.
- Wipe away any excess sealant from around the front of the sleeve. Use care not to get sealant on the outer surface of the sleeve.
- Remove the cap from the interface cables.
- Connect the interface to the interface cable.
- Carefully feed the connection through the hole in the wall sleeve and into the wall cavity. A drip loop will automatically be formed in the cable.

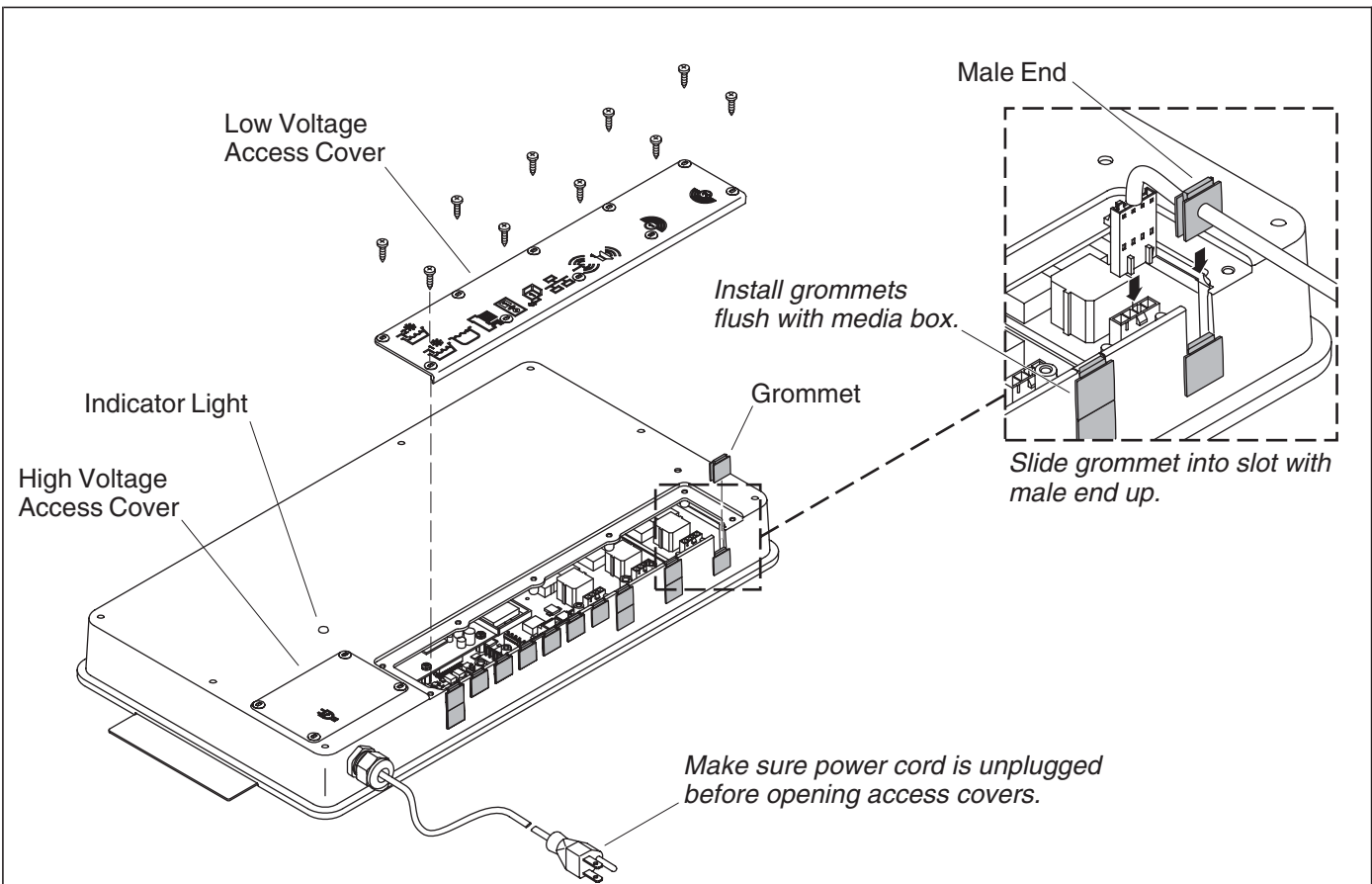


### **Install the Interface (cont.)**

- Verify the gasket is in place on the interface.
- Slide the body of the interface into the sleeve.
- Firmly press on the interface with the palms of your hands until it snaps into place.
- Verify the control knob is installed.



## Connection Key



#### 4. Connect the Components



**CAUTION: Risk of electric shock or product damage.** Make sure the power cord for the media module is unplugged or the power supply is turned off before removing the access covers.

- Remove the low voltage access cover on the media module.
- Remove the grommets in the locations where the interface cable will be installed. Refer to the "Connection Key."
- Gently press each connection until it snaps together.
- Slide the cable grommet into the slot with the male end up. Verify the grommet is properly seated.
- Reinstall the access cover. Do not overtighten.
- Plug the media module power cord into the outlet, or for hard-wire options, turn on the power. Verify that the indicator light turns on and pulses.
- Test each component to ensure proper functionality. Refer to the Installation and Homeowner Guides packed with each of the individual components for additional information.

#### 5. Complete the Installation

- If not already installed, install any additional components at this time according to the installation instructions packed with the products. For connecting to the media module, refer to the "Connect the Components" section in the Media Module Installation Guide.
- Reinstall the media module access covers. Do not overtighten.

## 6. Installation Checkout

- Plug the media module power supply into the outlet. Verify that the indicator light on the media module turns on and pulses.
- Turn on the water supply to the valve (if equipped).
- Check all connections for leaks and make any adjustments as needed.
- Turn on the main power supply. You should hear the valve power up and the power icon on the user interface will be lit with a green pulsing light.
- If not already completed, refer to the "Digital Interface User Guide" to set up the interface.

**NOTE:** For more information about using the user interface and its menus, refer to the user interface Homeowners Guide.

- **For installations with a digital mixing valve:** Press the [Power Icon] and then press the [OK Icon] to turn on the bath filler. Turn on the handshower by pressing the [Options Icon], then using the interface dial, scroll to "Handshower" and select by pressing the [OK Icon]. This will turn on all the valve outlets and purge the air from the system.
- Check for leaks and make any adjustments as needed.
- Verify that the water flow is sufficient for your bathing needs.

## Troubleshooting



**CAUTION: Risk of personal injury.** The valve (if installed) may contain hot water; be careful when draining any residual water.

**IMPORTANT!** Turn off the power and water supply to all components before performing any maintenance.

It is recommended that any valve maintenance should be performed by a Kohler Co. Authorized Service Representative.

This troubleshooting guide is for general aid only. For service and installation issues or concerns, call 1-800-4-KOHLER.

### Interface Troubleshooting Table

Symptoms	Probable Cause	Recommended Action
1. Digital interface is not lit.	<p><b>A.</b> Media module is not plugged into the outlet.</p> <p><b>B.</b> Power supply connection to the media module may be loose or disconnected.</p> <p><b>C.</b> Interface cable connections may be loose or disconnected.</p> <p><b>D.</b> Circuit breaker has been tripped.</p> <p><b>E.</b> The media module may require resetting.</p> <p><b>F.</b> If none of the recommended actions for the above issues correct the symptom, the media module or interface requires servicing.</p>	<p><b>A.</b> Plug the media module into the outlet.</p> <p><b>B.</b> Check power supply connections to the media module and reconnect if needed.</p> <p><b>C.</b> Check all interface cable connections, connect if needed.</p> <p><b>D.</b> Reset the circuit breaker.</p> <p><b>E.</b> Disconnect and reconnect the power supply from the media module.</p> <p><b>F.</b> Contact your Kohler Co. Authorized Service Representative.</p>
2. The interface power indicator pulses but does not turn on.	<p><b>A.</b> Interface cable connections may be loose or disconnected.</p> <p><b>B.</b> The media module requires resetting.</p>	<p><b>A.</b> Check all interface cable connections, connect if needed.</p> <p><b>B.</b> Disconnect and reconnect the media module power supply.</p>

## Troubleshooting (cont.)

### Interface Troubleshooting Table

Symptoms	Probable Cause	Recommended Action
	C. If the above recommended action does not correct the symptom, the interface or media module requires servicing.	C. Contact your Kohler Co. Authorized Service Representative.
3. The interface functions normally but no water flows from the spout or handshower.	<p>A. Inlet/outlet fittings may be blocked.</p> <p>B. Outlets are not plumbed correctly.</p> <p>C. Hot and cold water supplies are not turned on.</p> <p>D. The valve or media module memory may require resetting.</p> <p>E. System error.</p> <p>F. If none of the recommended actions for the above issues correct the symptom, the media module requires servicing.</p>	<p>A. Check the inlets and outlets for blockage or debris. Clean the inlet screens. Refer to the "Clean the Inlet Screens" section in the Valve Homeowners Guide.</p> <p>B. Reroute plumbing as needed.</p> <p>C. Turn on the water supply to the valve.</p> <p>D. Disconnect and reconnect the power supply from the valve and media module.</p> <p>E. Check the user interface for an error code. Refer to the "Diagnostics" section in the Digital Interface Homeowners Guide.</p> <p>F. Contact your Kohler Co. Authorized Service Representative.</p>
4. Display is difficult to read.	<p>A. Contrast is not optimized.</p> <p>B. Brightness is not optimized.</p>	<p>A. Adjust contrast in the user interface setting menu.</p> <p>B. Adjust the brightness in the user interface setting menu.</p>

### Valve Troubleshooting Table

Symptoms	Probable Cause	Recommended Action
1. Maximum blend temperature too hot or too cold.	<p>A. Incorrect maximum temperature setting.</p> <p>B. Inlet/outlet fittings may be blocked.</p> <p>C. If the above recommended action does not correct the symptom, the interface or valve requires servicing.</p>	<p>A. Refer to the "Set the Maximum Temperature" section in the Digital Interface User Guide.</p> <p>B. Check the inlets and outlets for blockage or debris. Clean the inlet screens. Refer to the "Clean the Inlet Screens" section in the Valve Homeowners Guide.</p> <p>C. Contact your Kohler Co. Authorized Service Representative.</p>
2. Continuous flow.	A. System will not switch off.	A. Turn off the water and power supply and contact your Kohler Co. Authorized Service Representative.
3. Handshower does not work.	A. Handshower is not enabled.	A. Enable the handshower option in the settings menu. Refer to the Digital Interface User Guide.
4. Only cold water flows from the outlets.	<p>A. Hot water supply is either not turned on or not connected to the valve inlet.</p> <p>B. Hot water inlet is blocked.</p>	<p>A. Check the hot water supply is turned on and connected to the valve inlet.</p> <p>B. Check the hot water inlet screen for blockage. Clean or replace the inlet screen. Refer to the Valve Homeowners Guide.</p>

## Troubleshooting (cont.)

### Valve Troubleshooting Table

Symptoms	Probable Cause	Recommended Action
	C. If none of the recommended actions for the above issues correct the symptom, the valve requires servicing.	C. Contact your Kohler Co. Authorized Service Representative.
5. Fluctuating or reduced flow rate. Valve is functioning properly.	A. Inlet/outlet fittings may be blocked.  B. Water outlet pressure is low.  C. Fluctuating flow.  D. If none of the recommended actions for the above issues correct the symptom, the valve requires servicing.	A. Check the inlets and outlets for blockage or debris. Clean the inlet screens. Refer to the "Clean the Inlet Screens" section in the Valve Homeowners Guide.  B. Check that the flow rate is at or above the minimum rate required. Refer to "Specifications" section in the Valve Homeowners Guide.  C. Verify that the dynamic inlet pressures are within specifications. Refer to "Specifications" section in the Valve Homeowners Guide.  D. Contact your Kohler Co. Authorized Service Representative.
6. Blend temperature drift or temperature cycling.	A. Fluctuating water temperature.  B. Hot water supply temperature fluctuation.  C. Pressure difference greater than 5 psi (34.5 kPa) between the hot and cold supply lines.  D. If none of the recommended actions for the above issues correct the symptom, the valve requires servicing.	A. Check the inlet temperature differentials and verify they are sufficient. Refer to "Specifications" section in the Valve Homeowners Guide.  B. Check and make adjustments as needed.  C. Install pressure regulators to bring the supplies within 5 psi (34.5 kPa) of each other.  D. Contact your Kohler Co. Authorized Service Representative.
7. Water leaking from the valve. <b>CAUTION: Risk of personal injury or product damage.</b> Turn off the main power and water supply.	A. Connections are not secure.  B. Seals are worn or damaged.  C. Internal leak.	A. Check all connections. Make adjustments as needed.  B. Order a seal service pack and replace all seals.  C. Unit requires overhaul. Contact your Kohler Co. authorized service representative.
8. Hot water only, the valve shuts down.	A. Hot and cold lines are reversed.	A. Switch hot and cold water supply connections. Verify the hot water supply is connected to the inlet marked "H" and the cold water supply is connected to the inlet marked "C."

### Music Troubleshooting Table

Symptoms	Probable Cause	Recommended Action
1. Bath transducers do not produce sound.	A. Transducer cables are not connected properly.	A. Make sure the cables are properly installed into the Media Module connections and to the bath transducers.

## Troubleshooting (cont.)

### Music Troubleshooting Table

Symptoms	Probable Cause	Recommended Action
2. After playing music loudly, the music stops even though a song is properly selected.	A. Thermal shut down.	A. Shut down the system for 1 hour to allow the unit to cool. Make sure the area where the unit is installed does not exceed 104°F (40°C).
3. Library menu is not available.	A. The Roku agreement was declined.	A. Enter the settings menu, select "System," select "Music Software," select "Roku Agreement" and select "YES."
4. Music server is not available.	<p>A. Wireless connection out of range.</p> <p>B. Wireless network is not configured properly.</p> <p>C. The network cable is not connected to the correct router/switch input.</p> <p>D. A compatible media server is not installed/running on your home computer.</p> <p>E. The media server on your home computer is not configured to share files.</p> <p>F. The incorrect Wi-Fi region was selected.</p>	<p>A1. Move router closer or install a wireless access point.</p> <p>A2. Connect via Ethernet cable.</p> <p>B. Enter the settings menu, select "System," select "WiFi Security," select "Network Name," select "WEP/WPA Key" and enter the security key.</p> <p>C. Connect the Media Module to the router's/switch's Ethernet ports.</p> <p>D. Install/open one of the supported media servers such as Firefly Media Server, iTunes®, Microsoft® Windows® Media Connect, Rhapsody™, Yahoo! or Musicmatch® on your computer and load your favorite music into the server's library.</p> <p>E. Reference the media server's help menu to properly configure file sharing.</p> <p>F. Enter the settings menu, select "System," select "Music Software," select "Region" and select the appropriate geographical region that matches your Wi-Fi router.</p>
5. I have a wireless network but my Media Module is unable to connect to the network.	<p>A. Ethernet cable is plugged in.</p> <p>B. Media Module is not within Wi-Fi range.</p> <p>C. A WEP or WPA key was not entered for your secured network.</p> <p>D. The router is not set up for 802.11b.</p>	<p>A. Unplug the Ethernet cable.</p> <p>B. Make sure the Media Module is within range of your Wi-Fi network.</p> <p>C. Enter the settings menu, select "System," select "WiFi Security," select "Network Name," select "WEP/WPA Key" and enter the security key.</p> <p>D. Make sure the access point/router is configured to allow 802.11b clients.</p>

**Troubleshooting (cont.)**

**Music Troubleshooting Table**

Symptoms	Probable Cause	Recommended Action
<p>6. The Media Module cannot connect to an iTunes server with firewall software running.</p>	<p>A. The firewall is not configured correctly to allow iTunes music sharing.</p>	<p>A. Make sure your firewall software is configured to allow iTunes music sharing. For a Mac: Open System Preferences. Select the Sharing icon and click on the firewall tab. Select the option "iTunes Music Sharing." For a PC: Refer to your documentation for changing firewall settings. If running Windows XP service pack 2, open "Security Center," select "Windows Firewall," click on the "Exceptions" tab, and check to see that iTunes is enabled. If not, use "Add Programs" to enable it. After these changes have been made, restart the Media Module by disconnecting and reconnecting the AC power.</p>
<p>7. The Media Module cannot access the iTunes library.</p>	<p>A. iTunes is not running.</p> <p>B. iTunes is not configured for sharing.</p> <p>C. iTunes is not responding to commands from the Media Module.</p>	<p>A. Make sure the computer containing your iTunes library is turned on and iTunes is running.</p> <p>B. In iTunes, be sure to turn on the "music sharing" option. Go to the iTunes&gt;Preferences menu or Edit&gt;Preferences for PC users. In the dialog box that appears, click the "Sharing" icon, then check the option "Share my music" to enable sharing on your local network.</p> <p>C. Close and restart iTunes on your computer.</p>
<p>8. I can see my iTunes library in the list of libraries, but when I try to connect, the connection fails.</p>	<p>A. iTunes is not configured for sharing.</p>	<p>A. In iTunes, be sure to turn on the "music sharing" option. Go to the iTunes&gt;Preferences menu or Edit&gt;Preferences for PC users. In the dialog box that appears, click the "Sharing" icon, then check the option "Share my music" to enable sharing on your local network.</p>



**Troubleshooting (cont.)**

**Music Troubleshooting Table**

Symptoms	Probable Cause	Recommended Action
	<p><b>B.</b> No IP address assigned to the Media Module.</p>	<p><b>B.</b> The Media Module was not assigned an IP address via DHCP, but the PC was. In this situation, the Media Module is able to see the library via Rendezvous, but is not able to connect to the library. Here is how to check your Media Module's address: Enter the settings menu, select "System," select "Music," select "Roku IP Address." If your IP address is of the form 169.254.xxx.xxx, the Media Module did not get a DHCP-assigned address. Check the configuration of your router to ensure it is set up to assign DHCP addresses. Reboot the Media Module by disconnecting and reconnecting the AC power.</p>
<p><b>9.</b> The Media Module can not access Windows Media Connect library.</p>	<p><b>A.</b> Windows Media Connect is not configured for sharing.</p>	<p><b>A.</b> Make sure that your computer containing your music library is powered ON and Windows Media Connect is running (icon should be visible in the task tray). With the Media Module powered ON and connected to your network, make sure that the Media Module is an authorized device. Launch Windows Media Connect through your Control Panel. On the wizard screen, scroll down the list of devices. If the Media Module is not listed, click the "Add" button at the bottom of the list. Click on Media Module, then click "OK." It should show up on the list of authorized devices. Click "Done." Reboot the Media Module by disconnecting and reconnecting the AC power.</p>
<p><b>10.</b> The Media Module can not access the Musicmatch library.</p>	<p><b>A.</b> Musicmatch is not running.</p> <p><b>B.</b> Musicmatch is not configured for sharing.</p>	<p><b>A.</b> Make sure the computer containing your music library is powered ON.</p> <p><b>B.</b> Make sure music sharing is enabled in Musicmatch. From the main Musicmatch menu, click on Options/Settings. Click on the tab "CD Lookup/Connectivity." Click the buttons next to "Enable music server" as well as "Universal Plug and Play." Musicmatch does not need to be running while using the Media Module; once enabled, the UPnP server runs in the background. Reboot the Media Module by disconnecting and reconnecting the AC power.</p>

## Troubleshooting (cont.)

### Music Troubleshooting Table

Symptoms	Probable Cause	Recommended Action
11. The Media Module is connected to my network via wired ethernet, but is unable to play Internet radio and may sometimes fail to locate, connect to, or play music from my music servers.	<p>A. No IP address assigned to the Media Module.</p> <p>B. Ethernet cable is damaged.</p>	<p>A. Determine the Media Module's address by entering the settings menu, select "System," select "Music," select "Roku IP Address." If your IP address is of the form 169.254.xxx.xxx, the Media Module did not get a DHCP-assigned address. Check the configuration of your router to ensure it is set up to assign DHCP addresses. Reboot the Media Module by disconnecting and reconnecting the AC power.</p> <p>B. Replace the Ethernet cable.</p>
12. No sound plays through the bath transducers.	<p>A. The song is paused.</p> <p>B. The volume is too low.</p>	<p>A. Make sure a song is playing. If the song is paused, press the OK button to continue playback.</p> <p>B. Make sure the volume is turned up high enough for proper enjoyment.</p>
13. Some of my music files do not display while browsing.	A. Missing ID3 tag info.	A. ID3 data tags may be missing. Information about your music, including Song Name, Artist, Composer, Album, and Genre is usually created automatically by the software you used to save your audio CD files on your computer's hard drive. This process creates data called "ID3 tags" to describe each track. If this data is missing from your music files, they will not appear when you browse by that data category. You can edit this information in music jukebox software such as iTunes.
14. A music file will not play.	A. Unsupported file format.	A. Make sure your file is a supported format: iTunes Music Server: MP3, AAC, ALAC, AIFF and WAV Windows Media Player 11 / Windows Media Connect: MP3, WMA (including DRM WMA) and WAV.
15. Songs purchased through the iTunes music store will not play.	A. Song is not supported because of DRM.	A. This is normal. DRM AAC files (i.e., files purchased on Apple's music store) are not supported. Those files will be detected but will be skipped during playback.
16. I cannot find playlists that I saved on my computer.	A. Some playlists may not be supported.	A. iTunes users: Make sure your playlist was created in iTunes and is visible in your iTunes application. Windows Media Connect users: Make sure your playlists are saved in the My Documents\My Music\My Playlists or other shared folder. Musicmatch users: Musicmatch exports playlists in a manner that is not supported. Slimserver users: Make sure your playlist is a Slimserver-supported playlist format.

## Troubleshooting (cont.)

### Music Troubleshooting Table

Symptoms	Probable Cause	Recommended Action
17. I am experiencing undesirable noise or resonance.	<p>A. Apron is vibrating against the deck.</p> <p>B. Transducers resonate with deck.</p>	<p>A. Verify rubber isolator mounts are contacting the deck and insulating the apron from the deck.</p> <p>B. Make sure bath is centered in deck cutout. Transducers should not contact the framing or deck.</p>

### Lights Troubleshooting Table

Symptoms	Probable Cause	Recommended Action
1. The bath lights do not turn on.	<p>A. Cable connections are loose or disconnected.</p> <p>B. Light cables connected to wrong media module connectors.</p> <p>C. Chroma light string damaged.</p> <p>D. Media module is malfunctioning.</p>	<p>A. Make sure the cables are properly connected to the media module.</p> <p>B. Verify cables and connections, reconnect as needed.</p> <p>C. Replace chroma light string.</p> <p>D. Media module may need to be replaced. Contact your Kohler Co. Authorized Service Representative.</p>

### Media Module Troubleshooting Table

Symptoms	Probable Cause	Recommended Action
1. System stops working and the status LED is a solid red.	A. System failure.	A. Reboot the Media Module by disconnecting the AC power from the wall outlet. If the status LED remains a solid red after reboot, replace the Media Module.
2. System stops working and the Status LED is a OFF.	<p>A. Power supply failure.</p> <p>B. Incorrect wiring of the AC power supply.</p>	<p>A. Reboot the Media Module by disconnecting the AC power from the wall outlet. If there is no change after reboot, replace the Media Module.</p> <p>B. Verify that the Media Module was installed per the installation manual. Make sure AC power is present at the outlet the Media Module is plugged into.</p>
3. Music stops playing and I get a music error.	<p>A. Thermal shutdown.</p> <p>B. Incorrect speaker load.</p>	<p>A. Shut down the system for 1 hour to allow the unit to cool. Make sure the area where the unit is installed does not exceed 104°F (40°C).</p> <p>B. Verify the speaker load is 4 to 8 ohms.</p>
4. Water level sensor does not detect water.	<p>A. Level sensor cable is damaged.</p> <p>B. Level sensor cable is loose or disconnected.</p> <p>C. Water is too pure.</p>	<p>A. Replace the level sensor cable.</p> <p>B. Make sure the cable is properly connected to the media module.</p> <p>C. Add bath salts to your bathing water.</p>
5. No display on the user interface.	<p>A. The interface cable is damaged.</p> <p>B. The interface cable is not plugged in.</p> <p>C. The interface or Media Module requires servicing.</p>	<p>A. Replace the interface cable.</p> <p>B. Verify the interface cable is properly plugged into the interface at all locations.</p> <p>C. Contact your Kohler Co. Authorized Service Representative.</p>

**Troubleshooting (cont.)****Media Module Troubleshooting Table**

Symptoms	Probable Cause	Recommended Action
6. Experiences are not functioning.	A. SD card is dislodged.	A. Contact your Kohler Co. Authorized Service Representative.

**Remote Control Troubleshooting Table**

Symptoms	Probable Cause	Recommended Action
1. Intermittent or erratic operation.	A. Frequency/channel interference.	A. Set RFID, PANID, and channel by following screen prompts on the digital interface for the remote. Then re-sync the remote as instructed in the Bath Homeowners Guide.
2. LED on remote does not blink or constantly blinks.	A. Batteries are low.	A. Replace batteries (2 AA).
3. One or more buttons on remote do not function and LED does not light up.	A. Batteries are low. B. Remote program lost. C. Remote is damaged.	A. Replace batteries (2 AA). B. Re-sync the remote to the interface. C. Replace remote.
4. One or more buttons on remote do not function but LED lights up.	A. Digital interface is malfunctioning.	A. Digital interface may need to be replaced. Contact your Kohler Co. Authorized Representative.

# Guide d'installation

## Interface digitale

### INSTRUCTIONS IMPORTANTES



**AVERTISSEMENT :** Lors de l'utilisation des produits électriques, des précautions de base devraient toujours être observées, incluant ce qui suit:



**DANGER : Risque d'électrocution.** Raccorder uniquement à des circuits protégés par un Disjoncteur de Fuite de Terre (GFCI) ou un appareil de courant résiduel (RCD). **Une mise à la terre est requise.** L'unité devrait être installée et mise à la terre par un représentant technicien qualifié.



**AVERTISSEMENT : Risque d'électrocution.** Tout le câblage électrique devrait être réalisé par un électricien qualifié.



**AVERTISSEMENT : Risque d'électrocution.** Débrancher l'alimentation avant de procéder à l'entretien.



**AVERTISSEMENT : Risque de blessures ou d'endommagement du matériel.** Veuillez lire toutes les instructions avant de commencer l'installation.

**AVIS :** Respecter tous les codes de plomberie, d'électricité et de bâtiment.

## Spécifications

### Interface

Température ambiante	Max 125°F (52°C)
Humidité relative maximum	Condensation 100% (surface externe uniquement)
Longueur de câble d'interface digitale (fourni avec l'interface digitale)	30 pieds (9,14 m)

### Module média

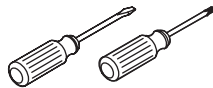
Température ambiante	Max 104°F (40°C)
Humidité relative maximum	95% non-condensé
<b>Service électrique</b>	100-240 V, 50/60 Hz, 2,0-0,83 A
Module média	100-240 V, 50/60 Hz, 2,0-0,83 A

Longueur de câble de valve (fourni)	30 pieds (9,14 m)
Longueur de câble de ligne d'entrée	5,6 pieds (1,71 m)
Longueur de câble ethernet	30 pieds (9,14 m)

## Outils et matériels



Crayon à papier



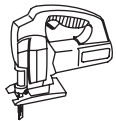
Tournevis



Niveau à bulle

### Plus:

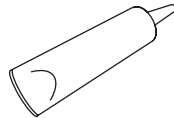
- Cales
- Ventouses (fournies)



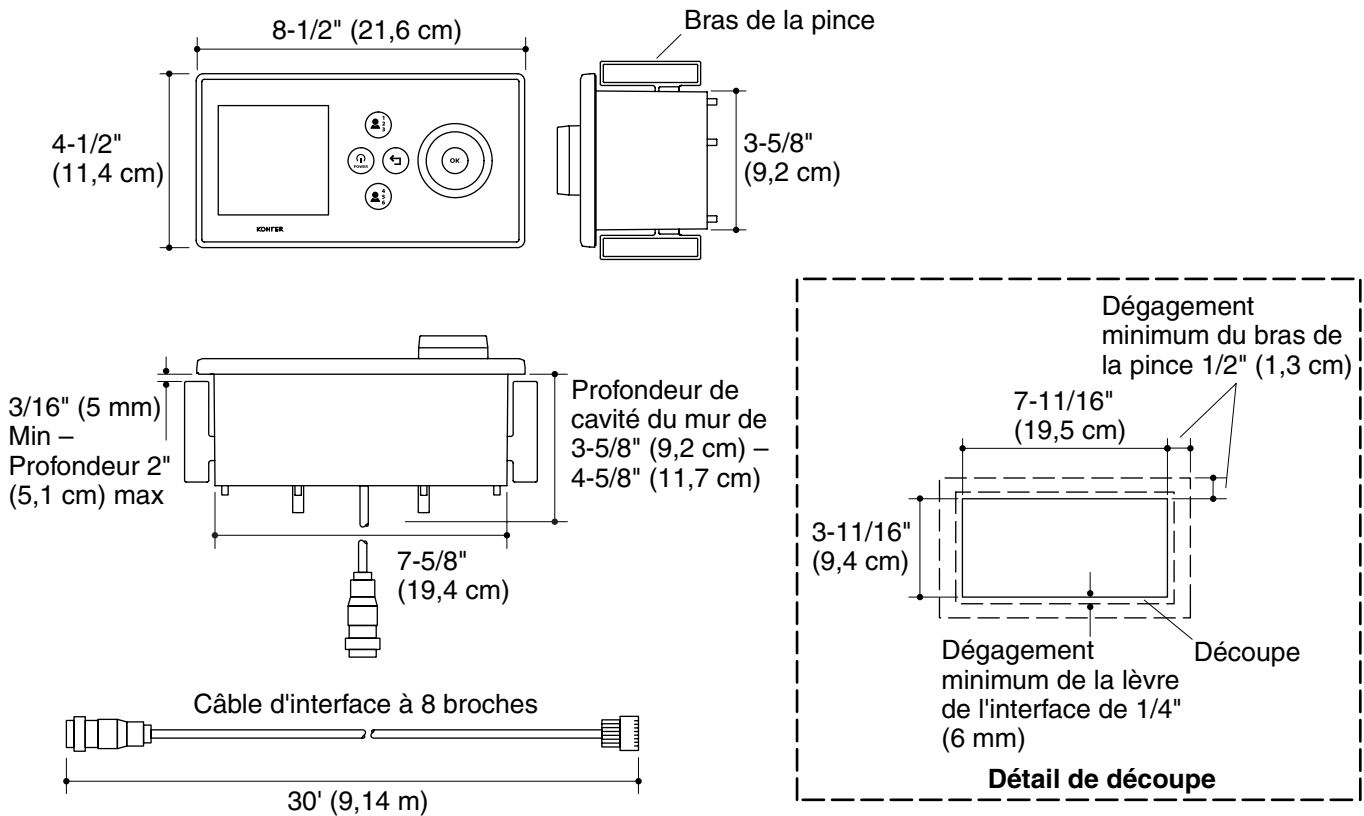
Scie sauteuse/  
baïonnette



Perceuse



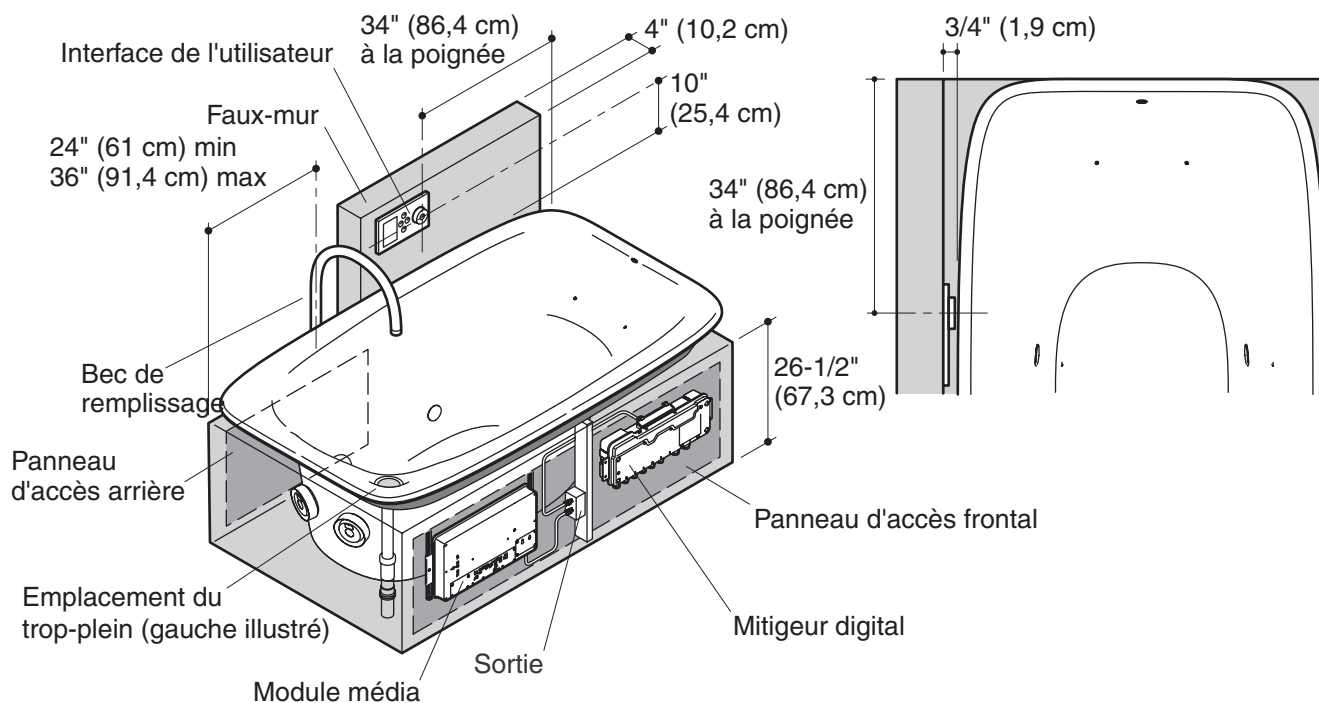
Mastic



## Raccordement

### Avant de commencer

- Respecter tous les codes électriques, de plomberie et de bâtiment locaux.
- Lire ces instructions et déterminer tous les composants requis avec leurs emplacements d'installation avant de commencer cette installation.
- Un électricien agréé devrait installer une prise électrique de 15 A 120 V GFCI, aux environs du cadrage de support, à proximité de la valve électronique et du module média. L'interface est alimenté à travers la connexion avec le module média.
- Installer la valve et le module média avant d'installer l'interface.
- Kohler Co. se réserve le droit d'apporter toutes modifications sur le design de nos produits et ceci sans préavis, tel que spécifié dans le catalogue des prix.



## Aperçu général de l'installation

Pour de meilleurs résultats, suivre la séquence d'installation recommandée ci-dessous. Se référer au contenu de ce guide ainsi qu'aux guides d'installation emballés avec chaque composant du système de bain.

**REMARQUE :** L'illustration ci-dessus indique une installation typique avec les emplacements d'installation préférables de l'interface digitale, du module média et du mitigeur digital (optionnel).

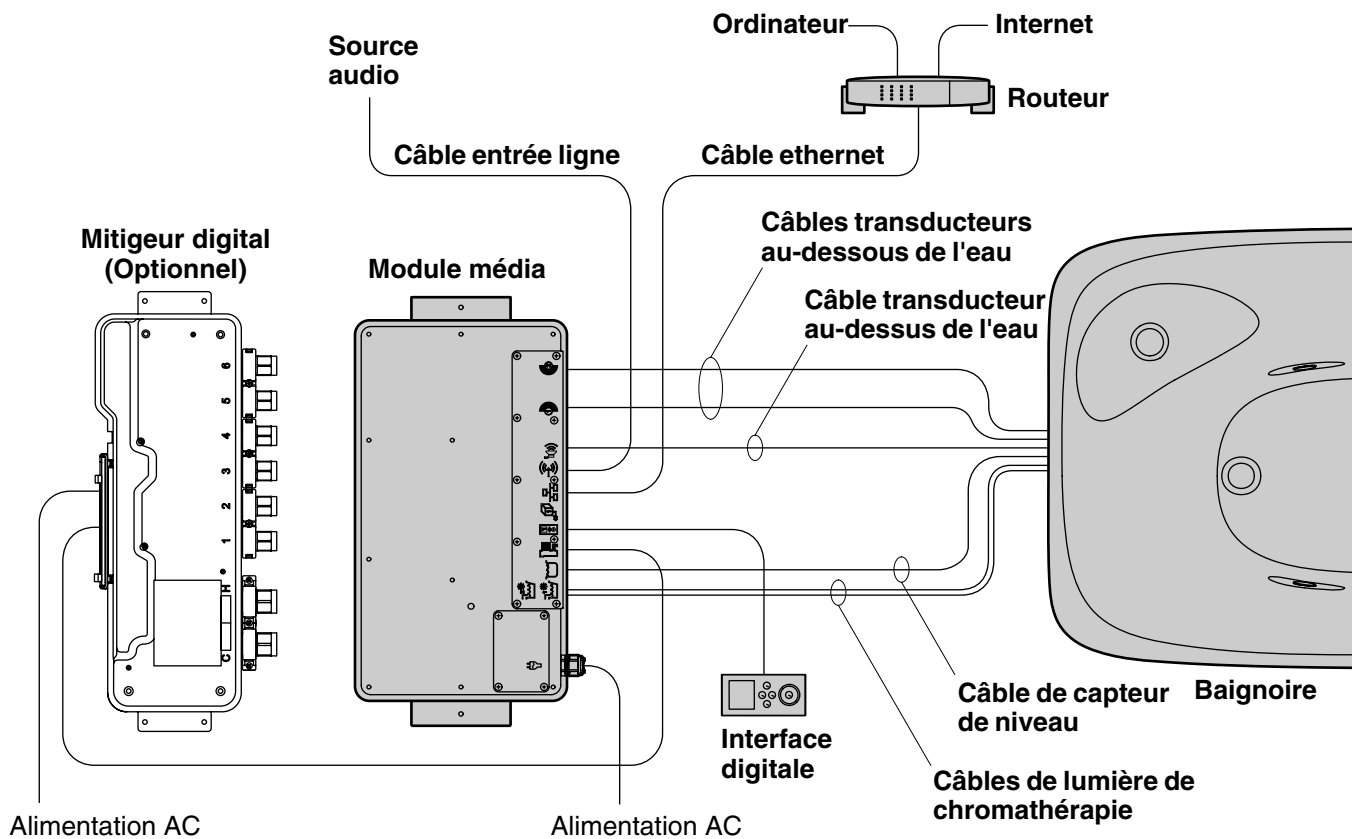
### Séquence d'installation recommandée

- Déterminer l'emplacement d'installation du module média et du mitigeur digital (si utilisé).
- Cadrer le podium pour la baignoire. Fournir une enveloppe de montant proprement dimensionnée pour le module média (requis) et le mitigeur digital (optionnel).
- Déterminer l'emplacement des panneaux d'accès (requis) pour le dépannage des transducteurs de baignoire, module média et du mitigeur digital (si utilisé). Planifier la construction du podium en conséquence.
- Installer le comptoir du podium. Utiliser les gabarits de découpe fournis avec la baignoire lors de la préparation du comptoir.
- Cadrer le faux-mur pour l'interface digitale.
- Acheminer toute la plomberie à inclure: lignes d'alimentation (bec et douchette), ligne de drain et valve (si applicable).
- Installer la (les) prise(s) à proximité de l'emplacement d'installation du module média et de la valve (optionnelle)
- Acheminer le câble Ethernet à un routeur, si applicable.
- Acheminer le câble d'interface digitale au module média.
- Compléter le faux-mur.
- Installer l'interface digitale et le module média. Suivre les instructions d'installation emballées avec chaque produit.
- Installer la baignoire et le drain.
- Connecter tous les câbles.



### **Aperçu général de l'installation (cont.)**

- Finir les murs du podium et installer les panneaux d'accès avant et arrière.

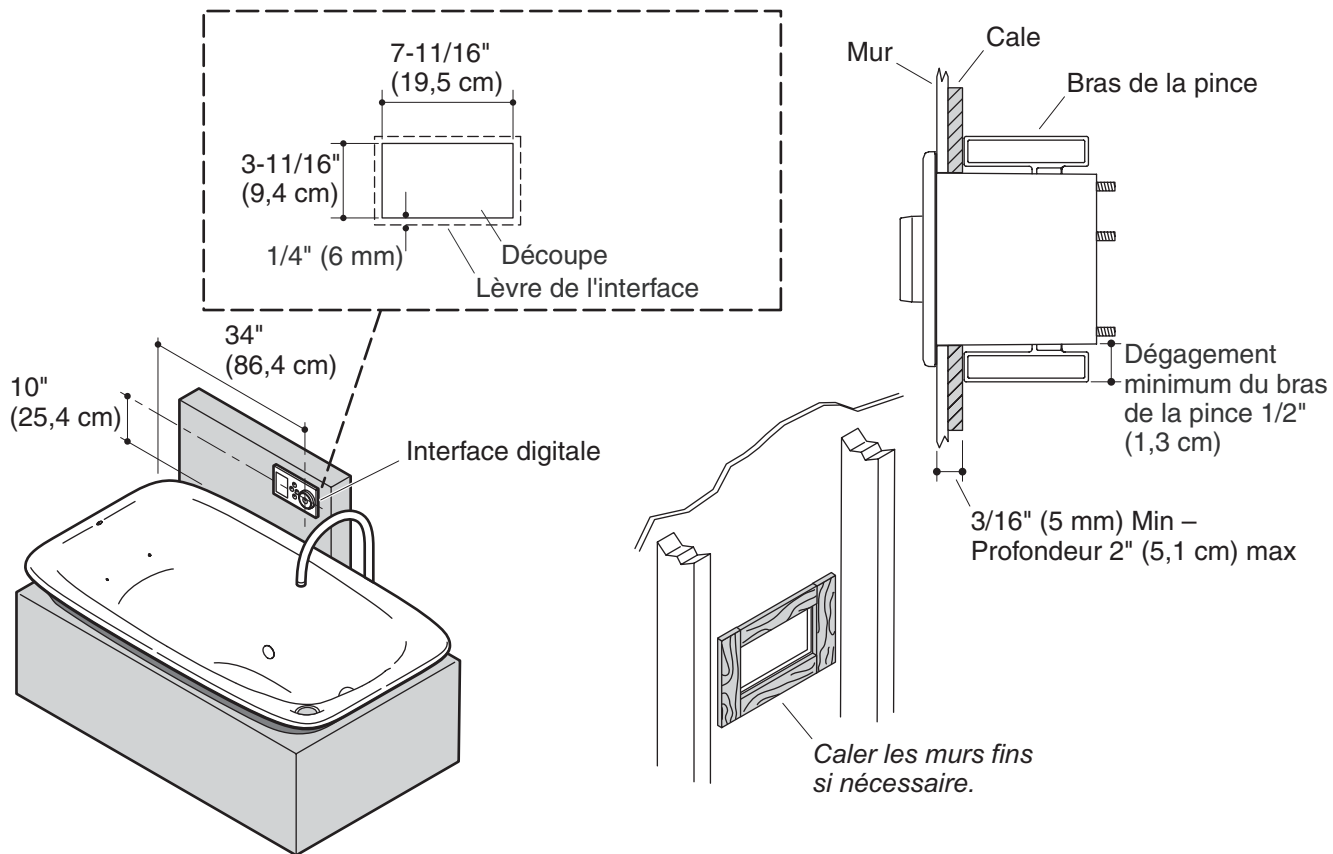


## 1. Composants

L'interface digitale contrôle le mitigeur digital, les transducteurs, le capteur de niveau "Remplissage intelligent", la lumière chromatique et la musique à travers le module média.

Les câbles sont disponibles pour connecter l'audio (ligne d'entrée) et l'Ethernet au module média.

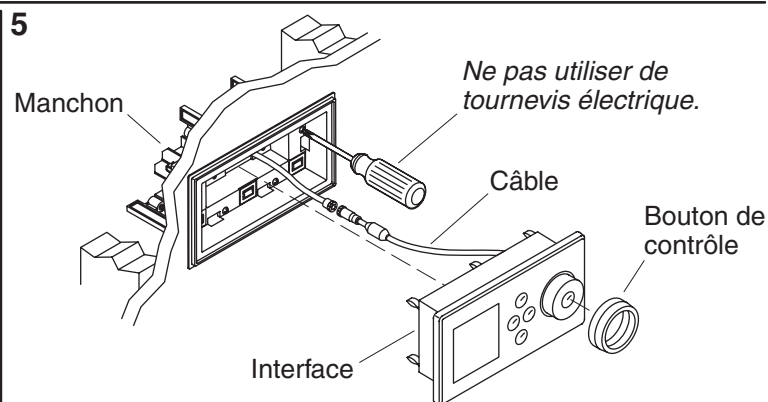
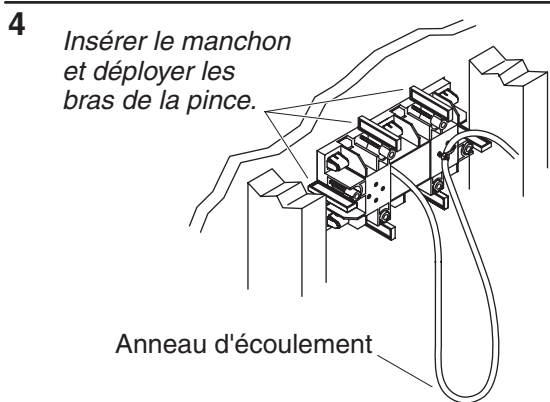
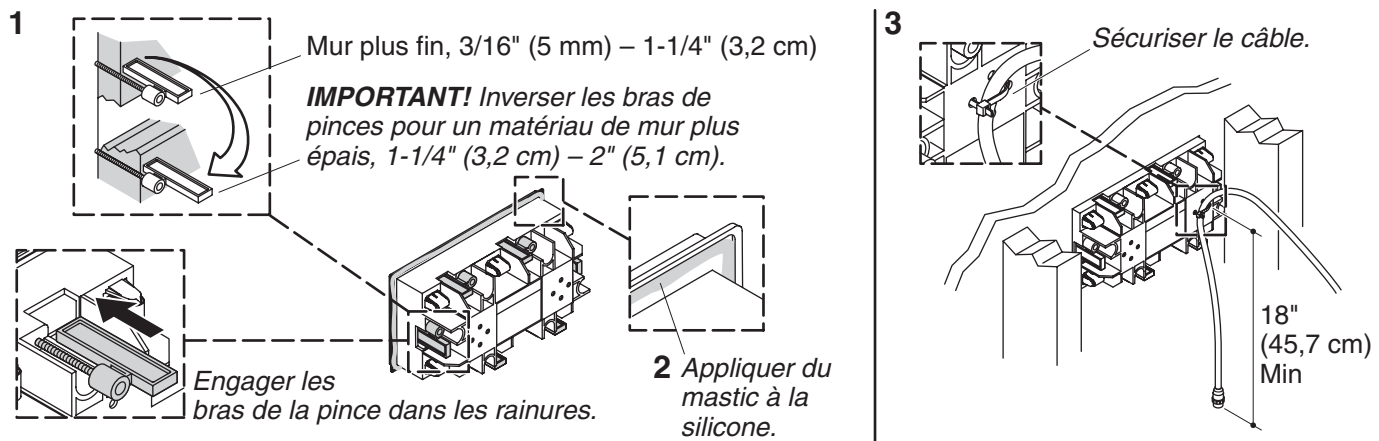
- Déterminer tous les composants requis avec leurs emplacements d'installation avant de commencer cette installation.
- Vérifier que les composants sont localisés de manière à ce que les câbles de connexion s'étendent aisément entre les points de connexion.
- Se référer aux guides d'installation emballés avec chaque produit pour les besoins spécifiques d'installation.



## 2. Préparer le site

**REMARQUE :** Permettre un chevauchement de 1/4" (6 mm) de la lèvre du manchon du mur et un dégagement minimum de 1/2" (1,3 cm) autour de l'arrière de l'ouverture pour permettre aux clips de s'engager entièrement.

- Se référer à l'information de raccordement. Avec un crayon, marquer les lignes de découpe sur le mur fini.
- Découper l'ouverture dans le mur fini en suivant les guides au crayon.
- Pour des matériaux de mur fini de moins de 3/16" (5 mm), le rebord autour de l'arrière de l'ouverture pour fournir un support adéquat pour le montage du manchon du mur d'interface.



### 3. Installer l'interface



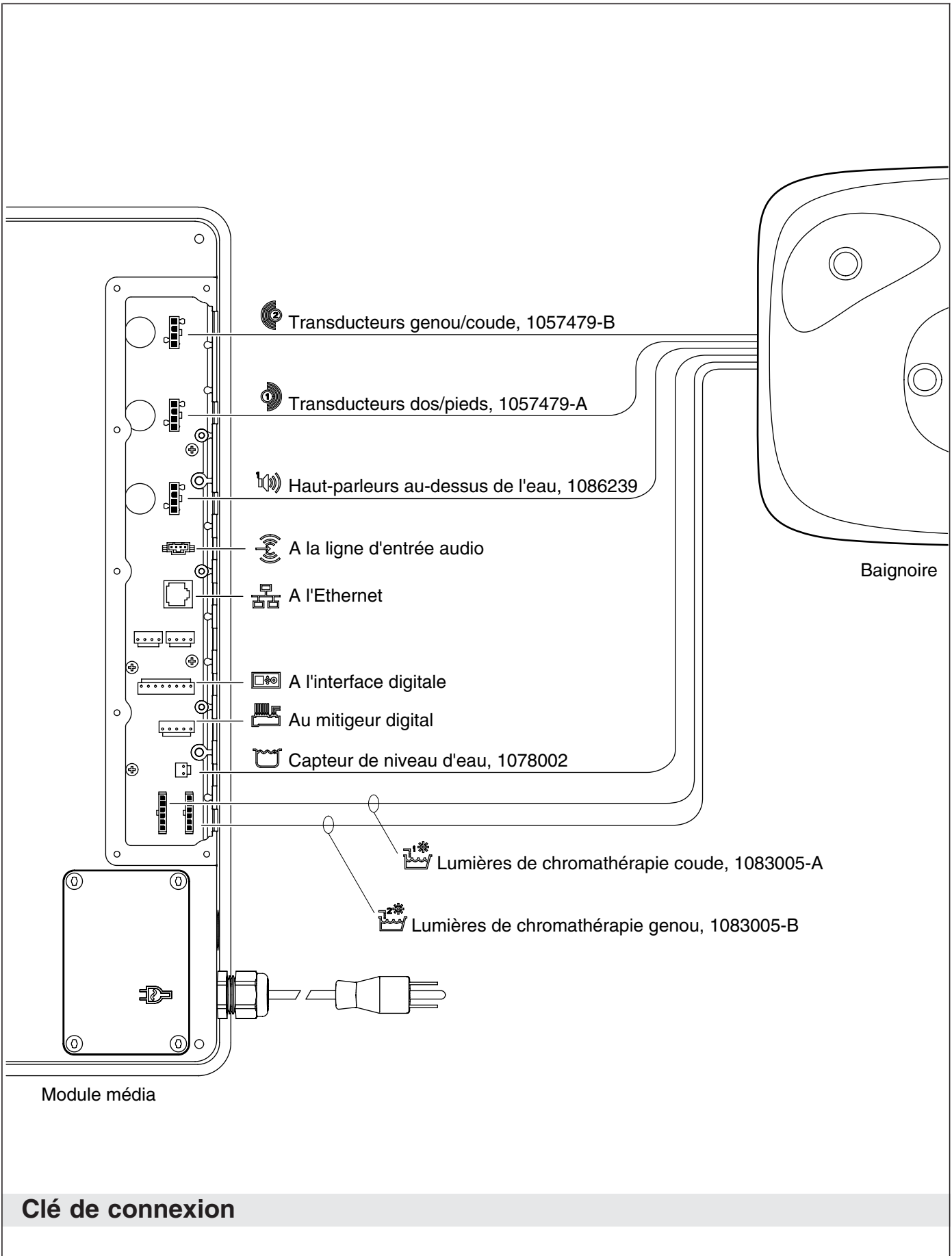
**ATTENTION : Risque d'endommagement du produit.** Ne pas utiliser de tournevis électriques pour installer l'interface.

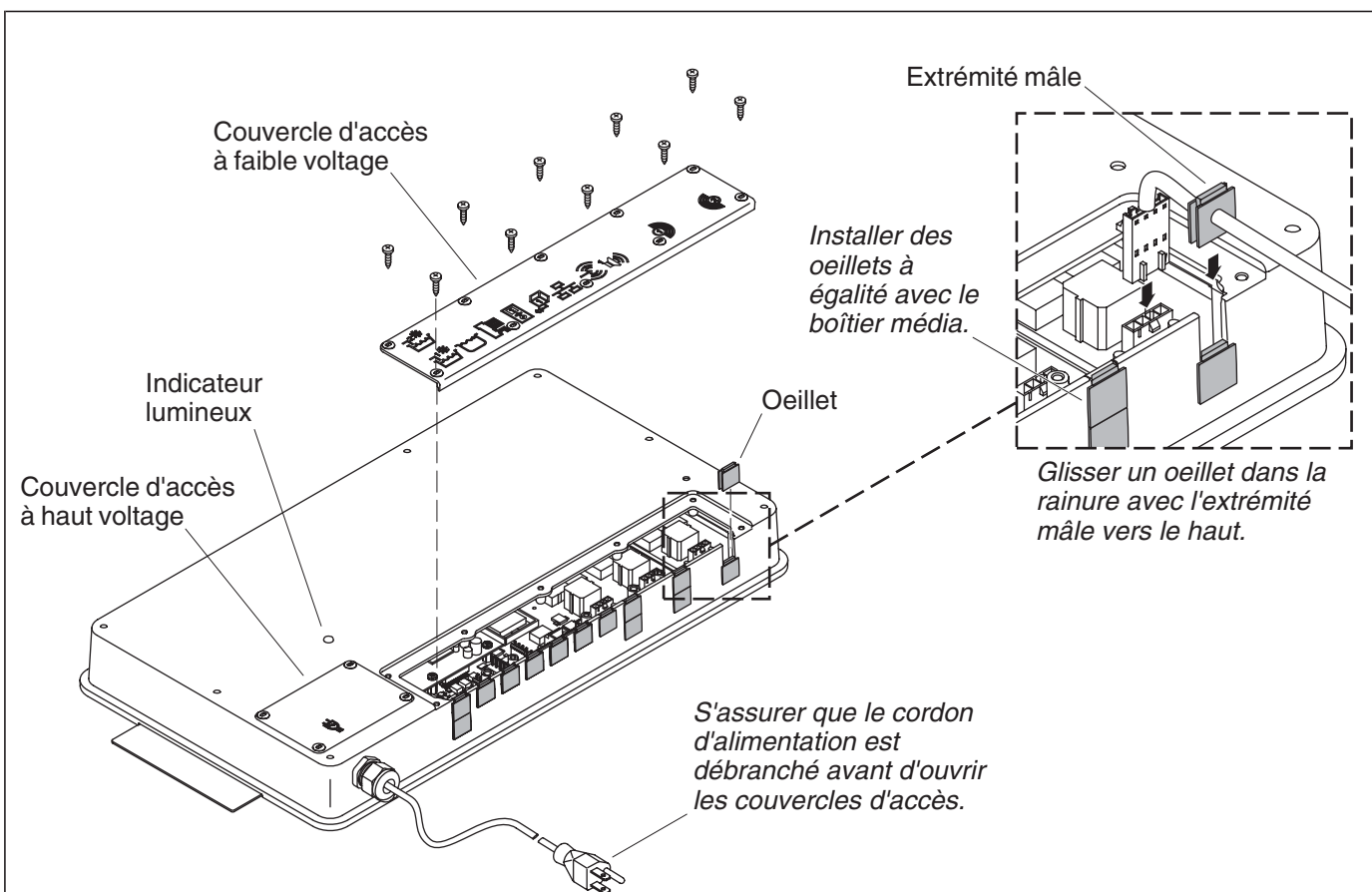
**REMARQUE :** Les bras de pince peuvent être retirés et retournés pour permettre l'installation sur des murs plus épais.

- Mesurer l'épaisseur du mur fini.
- Si approprié, retourner les bras du clip pour accommoder les matériaux de mur plus épais. Se référer à l'illustration ci-dessus.
- Sécuriser le câble d'interface, à partir du module média, avec un serre-câble à l'arrière du manchon du mur permettant approximativement à 18" (45,7 cm) de câble de se suspendre librement.
- Insérer l'extrémité libre du câble d'interface dans l'ouverture du manchon du mur.
- Engager les bras de pince dans les rainures du manchon.
- Appliquer un ruban de mastic à la silicone dans la rainure autour de l'arrière de la lèvre du manchon.
- Insérer le manchon dans la découpe.
- Pivoter les bras de pince de manière à ce qu'ils soient perpendiculaires à l'ouverture.
- Serrer les vis à la main. Ne pas trop serrer.
- Nettoyer tout excès de mastic de l'avant du manchon. Faire attention de ne pas mettre de mastic sur la surface extérieure du manchon.
- Retirer le capuchon des câbles de l'interface.
- Connecter l'interface au câble d'interface.

### **Installer l'interface (cont.)**

- Alimenter avec précaution la connexion à travers l'orifice du manchon du mur et dans la cavité. Un anneau d'écoulement se formera automatiquement dans le câble.
- Vérifier que le joint est en place sur l'interface.
- Glisser le corps de l'interface dans le manchon.
- Presser fermement sur l'interface avec les paumes des mains jusqu'à engager en place.
- Vérifier que le bouton de contrôle soit installé.





#### 4. Connecter les composants



**ATTENTION : Risque de choc électrique ou d'endommagement du produit.** S'assurer que le cordon d'alimentation du module média est débranché ou que l'alimentation soit coupée avant de retirer les couvercles d'accès.

- Retirer le couvercle d'accès au faible voltage du module média.
- Retirer les oeillets aux emplacements d'installation du câble d'interface. Se référer à "Clé de connexion".
- Presser gentiment chaque connexion jusqu'à ce qu'elles s'engagent ensemble.
- Glisser l'oeillet du câble dans la rainure avec l'extrémité mâle vers le haut. Vérifier que l'oeillet est proprement reposé.
- Réinstaller le couvercle d'accès. Ne pas trop serrer.
- Brancher le cordon d'alimentation du module média dans la prise, ou pour des options de câblage solide, allumer le courant. Vérifier que la lumière indicatrice s'allume et clignote.
- Tester chaque composant pour en assurer le bon fonctionnement. Se référer aux guides d'installation et du propriétaire emballés avec chaque composant pour une information additionnelle.

#### 5. Compléter l'installation

- Installer tout composant additionnel si cela n'a pas déjà été fait à ce moment selon les instructions d'installation emballées avec les produits. Pour la connecter au module média, se référer à la section "Connecter les composants" dans le guide d'installation du module média.
- Réinstaller les couvercles d'accès du module média. Ne pas trop serrer.

## 6. Vérification de l'installation

- Brancher l'alimentation électrique du module média dans la prise. Vérifier que la lumière indicatrice du module média s'active et clignote.
- Ouvrir l'alimentation d'eau à la valve (si équipée).
- Vérifier s'il y a des fuites dans les connexions et faire tous les réglages au besoin.
- Ouvrir l'alimentation électrique principale. Le son de mise sous tension de la valve devrait être entendu et l'icône d'alimentation de l'interface de l'utilisateur clignotera en vert.
- Si ce n'est pas déjà fait, se référer au "Guide de l'utilisateur de l'interface digitale" pour initialiser l'interface.

**REMARQUE :** Pour plus d'information sur l'interface de l'utilisateur et ses menus, se référer au guide du propriétaire de l'interface de l'utilisateur.

- **Pour des installations avec un mitigeur digital:** Presser l'[Icône Alimentation] et puis presser l'[Icône OK] pour activer le remplisseur de baignoire. Activer la douchette en pressant l'[Icône Options], puis en utilisant le cadran de l'interface, défiler à "Douchette" et sélectionner en pressant l'[Icône OK]. Ceci activera les sorties de valve et purgera l'air du système.
- Vérifier s'il y a des fuites et faire tous les réglages selon le besoin.
- Vérifier que le débit d'eau est suffisant pour les besoins de bain.

## Dépannage



**ATTENTION : Risque de blessures corporelles.** La valve (si installée) peut contenir de l'eau chaude; faire attention lors de la purge de toute eau résiduelle.

**IMPORTANT !** Couper le courant et l'alimentation d'eau à tous les composants avant de procéder à toute maintenance.

Il est recommandé que toute maintenance de valve devrait être effectuée par un technicien représentant de Kohler Co.

Ce guide de dépannage est seulement destiné à une aide générale. Pour des problèmes ou questions concernant le dépannage et l'installation, composer le 1-800-4-KOHLER.

### Table de dépannage d'interface

Symptômes	Cause probable	Action recommandée
1. L'interface digitale n'est pas illuminée.	<p><b>A.</b> Le module média n'est pas branché dans la prise.</p> <p><b>B.</b> La connexion de l'alimentation au module média peut être desserrée ou déconnectée.</p> <p><b>C.</b> Les connexions de câble d'interface sont peut être desserrés ou déconnectés.</p> <p><b>D.</b> Le disjoncteur a été déclenché.</p> <p><b>E.</b> Le module média peut nécessiter une réinitialisation.</p> <p><b>F.</b> Si aucune de ces actions recommandées ne rectifient le symptôme, le module média ou l'interface nécessitent un dépannage.</p>	<p><b>A.</b> Brancher module média à la prise.</p> <p><b>B.</b> Vérifier les connexions d'alimentation électrique au module média et reconnecter si besoin.</p> <p><b>C.</b> Vérifier toutes les connexions de câble d'interface, connecter si besoin.</p> <p><b>D.</b> Réinitialiser le disjoncteur.</p> <p><b>E.</b> Déconnecter et reconnecter l'alimentation électrique du module média.</p> <p><b>F.</b> Contacter un représentant de service agréé Kohler Co.</p>
2. L'indicateur de courant de l'interface clignote mais ne s'allume pas.	<p><b>A.</b> Les connexions de câble d'interface sont peut être desserrés ou déconnectés.</p>	<p><b>A.</b> Vérifier toutes les connexions de câble d'interface, connecter si besoin.</p>



**Dépannage (cont.)****Table de dépannage d'interface**

Symptômes	Cause probable	Action recommandée
	<p><b>B.</b> Le module média nécessite une réinitialisation.</p> <p><b>C.</b> Si l'action recommandée ci-dessus ne rectifie pas le problème, l'interface ou le module média nécessitent un dépannage.</p>	<p><b>B.</b> Déconnecter et reconnecter l'alimentation électrique du module média.</p> <p><b>C.</b> Contacter un représentant de service agréé Kohler Co.</p>
<p><b>3.</b> L'interface fonctionne normalement mais il n'y a pas de débit d'eau du bec ou de la douchette.</p>	<p><b>A.</b> Les raccords entrée/sortie sont peut-être bouchés.</p> <p><b>B.</b> Les sorties ne sont pas correctement alignées.</p> <p><b>C.</b> Les alimentations d'eau chaude et froide ne sont pas ouvertes.</p> <p><b>D.</b> La valve ou la mémoire du module média peut nécessiter une réinitialisation.</p> <p><b>E.</b> Erreur de système.</p> <p><b>F.</b> Si aucune de ces actions recommandées ne rectifient le symptôme, le module média nécessite un dépannage.</p>	<p><b>A.</b> Vérifier les entrées et sorties de tout blocage ou débris. Nettoyer les grilles d'entrée. Se référer à la section "Nettoyer les grilles d'entrée" du guide du propriétaire de la valve.</p> <p><b>B.</b> Aligner la plomberie selon le besoin.</p> <p><b>C.</b> Ouvrir l'alimentation d'eau à la valve.</p> <p><b>D.</b> Déconnecter et reconnecter l'alimentation électrique de la valve et du module média.</p> <p><b>E.</b> Vérifier l'interface de tout code d'erreur. Se référer à la section "Diagnostics" du guide du propriétaire de l'interface digitale.</p> <p><b>F.</b> Contacter un représentant de service agréé Kohler Co.</p>
<p><b>4.</b> L'écran n'est pas très lisible.</p>	<p><b>A.</b> Le contraste n'est pas optimisé.</p> <p><b>B.</b> La luminosité n'est pas optimisée.</p>	<p><b>A.</b> Ajuster le contraste à partir du menu de réglage de l'interface de l'utilisateur.</p> <p><b>B.</b> Ajuster la luminosité à partir du menu de réglage de l'interface de l'utilisateur.</p>

**Table de dépannage de valve**

Symptômes	Cause probable	Action recommandée
<p><b>1.</b> La température maximale de mélange est trop chaude ou trop froide.</p>	<p><b>A.</b> Réglage de température maximum incorrect.</p> <p><b>B.</b> Les raccords entrée/sortie sont peut-être bouchés.</p> <p><b>C.</b> Si l'action recommandée ci-dessus ne rectifie pas le problème, l'interface ou la valve nécessitent un dépannage.</p>	<p><b>A.</b> Se référer à la section "Régler la température maximum" du guide de l'utilisateur de l'interface digitale.</p> <p><b>B.</b> Vérifier les entrées et sorties de tout blocage ou débris. Nettoyer les grilles d'entrée. Se référer à la section "Nettoyer les grilles d'entrée" du guide du propriétaire de la valve.</p> <p><b>C.</b> Contacter un représentant de service agréé Kohler Co.</p>
<p><b>2.</b> Débit continu.</p>	<p><b>A.</b> Le système ne s'éteint pas.</p>	<p><b>A.</b> Couper l'alimentation d'eau et électrique et contacter le représentant agréé de service Kohler Co.</p>

## Dépannage (cont.)

### Table de dépannage de valve

Symptômes	Cause probable	Action recommandée
3. La douchette ne fonctionne pas.	A. La douchette n'est pas activée.	A. Activer l'option de douchette dans le menu de réglages. Se référer au Guide de l'utilisateur de l'interface digitale.
4. Seule de l'eau froide émane des sorties.	A. Soit l'alimentation d'eau chaude n'est pas ouverte, soit elle n'est pas connectée à l'entrée de la valve. B. L'entrée d'eau chaude est bloquée. C. Si aucune de ces actions recommandées ne rectifient le symptôme, la valve nécessite un dépannage.	A. Vérifier si l'alimentation d'eau chaude est ouverte et connectée à l'entrée de la valve. B. Vérifier si la grille d'entrée d'eau chaude est obstruée. Nettoyer ou remplacer la grille d'entrée. Se référer au guide du propriétaire de la valve. C. Contacter un représentant de service agréé Kohler Co.
5. Fluctuation ou réduction du débit. La valve fonctionne correctement.	A. Les raccords entrée/sortie sont peut-être bouchés. B. La pression d'eau est faible. C. Débit fluctuant. D. Si aucune de ces actions recommandées ne rectifient le symptôme, la valve nécessite un dépannage.	A. Vérifier les entrées et sorties de tout blocage ou débris. Nettoyer les grilles d'entrée. Se référer à la section "Nettoyer les grilles d'entrée" du guide du propriétaire de la valve. B. Vérifier que le calibrage de débit est au minimum ou plus de celui requis. Se référer à la section "Spécifications" du guide du propriétaire de la valve. C. Vérifier que les pressions d'entrée dynamiques sont conformes aux spécifications. Se référer à la section "Spécifications" du guide du propriétaire de la valve. D. Contacter un représentant de service agréé Kohler Co.
6. Dérive de température mixte ou cycle de température.	A. Fluctuation de température d'eau. B. Fluctuation de température d'alimentation d'eau chaude. C. Différence de pression plus grande que 5 psi (34,5 kPa) entre les lignes d'alimentation chaude et froide. D. Si aucune de ces actions recommandées ne rectifient le symptôme, la valve nécessite un dépannage.	A. Vérifier que les différentiels de température d'entrée soient suffisants. Se référer à la section "Spécifications" du guide du propriétaire de la valve. B. Vérifier et faire les ajustements si nécessaire. C. Installer les régulateurs de pression pour ramener les alimentations à 5 psi (34,5 kPa) l'un de l'autre. D. Contacter un représentant de service agréé Kohler Co.

## Dépannage (cont.)

### Table de dépannage de valve

Symptômes	Cause probable	Action recommandée
7. Fuite d'eau du corps de la valve. <b>ATTENTION: Risque de blessure corporelle ou d'endommagement du produit.</b> Couper le courant principal et l'alimentation d'eau.	<p>A. Les connexions ne sont pas sécurisées.</p> <p>B. Les joints sont usés ou endommagés.</p> <p>C. Fuite interne.</p>	<p>A. Vérifier toutes les connexions. Faire les réglages.</p> <p>B. Commander un paquet de joint de dépannage et remplacer tous les joints.</p> <p>C. L'unité nécessite une révision. Contacter un représentant de service autorisé Kohler Co.</p>
8. Eau chaude uniquement, la valve s'arrête.	A. Les lignes d'eau chaude et froide sont inversées.	A. Permuter les connexions d'alimentation d'eau chaude et froide. Vérifier que l'alimentation d'eau chaude est connectée à l'entrée marquée "H" et que l'alimentation d'eau froide est connectée à l'entrée marquée "C".

### Table de dépannage musique

Symptômes	Cause probable	Action recommandée
1. Les transducteurs de baignoire ne produisent pas de son.	A. Les câbles de transducteurs ne sont pas connectés proprement.	A. S'assurer que les câbles sont correctement installés dans les connexions du module média et aux transducteurs de la baignoire.
2. Après avoir activé la musique très fort, celle-ci s'arrête même si une chanson est correctement sélectionnée.	A. Arrêt thermal.	A. Arrêter le système pendant 1 heure pour permettre à l'unité de refroidir. S'assurer que l'emplacement d'installation n'excède pas 104°F (40°C).
3. Le menu librairie n'est pas disponible.	A. L'accord Roku a été rejeté.	A. Entrer le menu réglages, sélectionner "Système", sélectionner "Logiciel musique", sélectionner "Accord Roku" et sélectionner "OUI".
4. Le serveur musique n'est pas disponible.	<p>A. Connexion sans fil hors de portée.</p> <p>B. Le réseau sans fil n'est pas correctement configuré.</p> <p>C. Le câble réseau n'est pas connecté au routeur/interrupteur correct.</p> <p>D. Un serveur média compatible n'est pas installé/ne fonctionne pas sur l'ordinateur personnel.</p> <p>E. Le serveur média sur l'ordinateur personnel n'est pas configuré pour partager les fichiers.</p>	<p>A1. Déplacer le routeur plus près ou installer un point d'accès sans fil.</p> <p>A2. Connecter via un câble Ethernet.</p> <p>B. Entrer le menu réglages, sélectionner "Système", sélectionner "Sécurité WiFi", sélectionner "Nom réseau", sélectionner "Clé WEP/WPA" et entrer la clé sécurité.</p> <p>C. Connecter le module média aux ports Ethernet du routeur/interrupteur.</p> <p>D. Installer/ouvrir un des serveurs média servis tels que Serveur média Firefly, iTunes®, Microsoft® Windows® Media Connect, Rhapsody™ ou Musicmatch® sur votre ordinateur et télécharger la musique favorite dans la librairie du serveur.</p> <p>E. Se référer au menu d'aide du serveur média pour configurer correctement le partage de fichier.</p>

## Dépannage (cont.)

### Table de dépannage musique

Symptômes	Cause probable	Action recommandée
	F. La région WiFi incorrecte a été sélectionnée.	F. Entrer dans le menu des réglages, sélectionner "Système", sélectionner "Logiciel musique", sélectionner "Région" et sélectionner la région géographique appropriée qui concorde le routeur Wi-Fi.
5. J'ai un réseau sans fil mais le module média ne connecte pas au réseau.	A. Le câble ethernet est branché. B. Le module média n'est pas à portée du Wi-Fi. C. Une clé WEP ou WPA n'a pas été composée pour un réseau sécurisé. D. Le routeur n'est pas réglé pour 802.11b.	A. Remplacer le câble Ethernet. B. S'assurer que le module média est à portée du réseau Wi-Fi. C. Entrer le menu réglages, sélectionner "Système", sélectionner "Sécurité WiFi", sélectionner "Nom réseau", sélectionner "Clé WEP/WPA" et entrer la clé sécurité. D. S'assurer que le point d'accès/routeur est configuré pour permettre des clients 802.11b.
6. Le média module ne peut pas connecter au serveur iTunes avec un pare-feu informatique en fonction.	A. Le pare-feu informatique n'est pas correctement configuré pour permettre le partage de musique iTunes.	A. S'assurer que le pare-feu informatique est configuré pour permettre le partage de musique iTunes. Pour un Mac: Ouvrir les préférences du système. Sélectionner l'icône de partage et cliquer sur la languette pare-feu informatique. Sélectionner l'option "Partage de musique iTunes". Pour un PC: Se référer à la documentation pour changer les réglages du pare-feu informatique. Sous Windows XP service pack 2, ouvrir "Sécurité", sélectionner "Windows Firewall", cliquer sur "Exceptions" et vérifier si iTunes est activé. Dans le cas échéant, utiliser "Ajouter programmes" pour l'activer. Après ces changements effectués, redémarrer le module média en déconnectant et reconnectant l'alimentation AC.
7. Le module média ne peut pas accéder à la librairie iTunes.	A. iTunes n'est pas en fonction. B. iTunes n'est pas configuré pour le partage. C. iTunes ne répond pas aux commandes du module média.	A. S'assurer que l'ordinateur contenant la librairie iTunes soit en marche et que iTunes soit en fonction. B. Dans iTunes, s'assurer de mettre en marche l'option "partage musique". Aller à iTunes>menu préférences ou Éditer>Préférences pour utilisateurs PC. Dans le menu dialogue qui apparaît, cliquer sur l'icône "Partager", puis re-sélectionner l'option "Partager la musique" pour activer le partage sur le réseau local. C. Fermer et redémarrer iTunes sur l'ordinateur.

## Dépannage (cont.)

### Table de dépannage musique

Symptômes	Cause probable	Action recommandée
8. Je vois la librairie iTunes dans la liste des librairies mais lorsque j'essaie de connecter, la connexion échoue.	<p><b>A.</b> iTunes n'est pas configuré pour le partage.</p> <p><b>B.</b> Pas d'adresse IP affectée au module média.</p>	<p><b>A.</b> Dans iTunes, s'assurer de mettre en marche l'option "partage musique". Aller à iTunes&gt;menu préférences ou Éditer&gt;Préférences pour utilisateurs PC. Dans le menu dialogue qui apparaît, cliquer sur l'icône "Partager", puis re-sélectionner l'option "Partager la musique" pour activer le partage sur le réseau local.</p> <p><b>B.</b> Le module média n'a pas été affecté d'adresse IP via DHCP mais le PC l'a été. Dans cette situation, le module média peut voir la librairie via Rendezvous, mais ne peut pas connecter à la librairie. Voici comment vérifier l'adresse du module média: Entrer le menu réglages, sélectionner "Système", sélectionner "Logiciel musique", sélectionner "Adresse IP Roku". Si l'adresse est sous la forme 169.254.xxx.xxx, le module média n'a pas capté l'adresse affectée DHCP. Vérifier la configuration du routeur pour assurer qu'il soit réglé pour affecter des adresses DHCP. Redémarrer le module média en déconnectant et reconnectant le courant AC.</p>
9. Le module média ne peut pas accéder à la librairie Windows Media Connect.	<b>A.</b> Windows Media Connect n'est pas configuré pour le partage.	<b>A.</b> S'assurer que l'ordinateur qui contient la librairie de musique est en MARCHE et que Windows Media Connect est en fonction (icône devrait être visible dans la barre de tâches). Avec le module média en MARCHE et connecté au réseau, s'assurer que le module média soit un appareil autorisé. Démarrer Windows Media Connect à partir du panneau de contrôle. Sur l'écran, défiler la liste des appareils. Si le module média n'est pas listé, cliquer sur "Ajouter" à la base de la liste. Cliquer sur module média, puis sur "OK". Il devrait apparaître dans la liste des appareils autorisés. Cliquer "Terminé". Redémarrer le module média en déconnectant et reconnectant le courant AC.
10. Le module média ne peut pas accéder à la librairie Musicmatch.	<b>A.</b> Musicmatch n'est pas en fonction.	<b>A.</b> S'assurer que l'ordinateur contenant la librairie de musique soit en MARCHE.

## Dépannage (cont.)

### Table de dépannage musique

Symptômes	Cause probable	Action recommandée
	B. Musicmatch n'est pas configuré pour le partage.	B. S'assurer que le partage de musique soit activé dans Musicmatch. À partir du menu principal de Musicmatch, cliquer sur Options/Réglages. Cliquer sur "Recherche CD/Connectivité". Cliquer sur les boutons près de "Activer serveur musique" ainsi que "Prêt à brancher universel". Musicmatch ne doit pas être en fonction lors de l'utilisation du module média; une fois activé, le serveur UPnP tourne en fond. Redémarrer le module média en déconnectant et reconnectant le courant AC.
11. Le module média est connecté au réseau via ethernet branché, mais ne peut jouer la radio internet et peut parfois échouer à localiser, se connecter, ou jouer de la musique de tous serveurs.	A. Pas d'adresse IP affectée au module média.  B. Le câble Ethernet est endommagé.	A. Déterminer l'adresse du module média en entrant dans le menu réglages, sélectionner "Système", sélectionner "Musique", sélectionner "Adresse IP Roku". Si l'adresse est sous la forme 169.254.xxx.xxx, le module média n'a pas capté l'adresse affectée DHCP. Vérifier la configuration du routeur pour assurer qu'il soit réglé pour affecter des adresses DHCP. Redémarrer le module média en déconnectant et reconnectant le courant AC.  B. Remplacer le câble Ethernet.
12. Aucun son à travers les transducteurs de la baignoire.	A. La chanson est en pause.  B. Le volume est trop bas.	A. S'assurer que la chanson est en route. Si la chanson est en pause, presser sur OK pour continuer.  B. S'assurer que le volume est augmenté pour une bonne satisfaction.
13. Certains des fichiers musique ne s'affichent pas lors de l'exploration.	A. Info étiquette ID3 manquante.	A. Les étiquettes de données ID3 sont peut-être manquantes. L'information concernant la musique, y compris Nom de chanson, Artiste, Compositeur, Album, et Genre est normalement créée automatiquement par le logiciel utilisé pour sauvegarder les fichiers CD sur le disque dur de l'ordinateur. Ce processus crée une donnée "étiquettes ID3" pour décrire chaque morceau. Si cette donnée est manquante des fichiers musique, ils n'apparaîtront lors de la recherche par cette catégorie de données. Vous pouvez éditer cette information dans un logiciel juke-box musique tel que iTunes.

## Dépannage (cont.)

### Table de dépannage musique

Symptômes	Cause probable	Action recommandée
14. Un fichier musique ne joue pas.	A. Format fichier non supporté.	A. S'assurer que le fichier soit un format supporté: Serveur musique iTunes: MP3, AAC, ALAC, AIFF et WAV Windows Media Player 11 / Windows Media Connect: MP3, WMA (y compris DRM WMA) et WAV.
15. Les morceaux achetés à travers un magasin de musique iTunes ne jouent pas.	A. La chanson n'est pas supportée à cause du DRM.	A. Ceci est normal. Fichiers DRM AAC (exemple: fichiers achetés dans un magasin de musique Apple) ne sont pas supportés. Ces fichiers seront détectés mais seront évités durant le playback.
16. Je ne peux pas trouver les listes de diffusion sauvegardées sur l'ordinateur.	A. Certaines listes de diffusion ne sont pas supportées.	A. Utilisateurs iTunes: S'assurer que la liste de diffusion a été créée dans iTunes et est visible dans l'application iTunes. Utilisateurs Windows Media Connect: S'assurer que les listes de diffusion sont sauvegardées dans Mes Documents\Ma Musique\Mes Listes de diffusion ou autre dossier partagé. Utilisateurs Musicmatch: Musicmatch exporte les listes de diffusion de manière non supportée. Utilisateurs slimserveurs: S'assurer que la liste de diffusion est un format de liste de diffusion supporté-slimserveur.
17. Du bruit ou de la résonance sont notés.	A. Le bandeau vibre contre le comptoir.  B. Les transducteurs résonnent avec le comptoir.	A. Vérifier que les fixations de l'isolation en caoutchouc soient en contact avec le comptoir et isolent le bandeau du comptoir.  B. S'assurer que la baignoire soit centrée dans la découpe du comptoir. Les transducteurs ne devraient pas être en contact avec le cadrage ou le comptoir.

### Table de dépannage des lumières

Symptômes	Cause probable	Action recommandée
1. Les lumières de baignoire ne s'allument pas.	A. Les connexions de câble sont desserrées ou déconnectées.  B. Les câbles de lumière sont connectés aux mauvais connecteurs de module média.  C. Le fil de lumière chroma est endommagé.  D. Le module média ne fonctionne pas correctement.	A. S'assurer que les câbles soient connectés proprement au module média.  B. Vérifier les câbles et les connexions, reconnecter selon le besoin.  C. Remplacer le fil de lumière chroma.  D. Le module média devra être remplacé. Contacter un représentant de service agréé Kohler Co.



**Dépannage (cont.)****Table de dépannage du module média**

<b>Symptômes</b>	<b>Cause probable</b>	<b>Action recommandée</b>
1. Le système s'arrête et la LED est rouge solide.	A. Défaillance du système.	A. Réinitialiser le module média en déconnectant le câble AC de la prise au mur. Si la LED demeure rouge solide après réinitialisation, remplacer le module média.
2. Le système s'arrête et la LED est éteinte.	A. Panne de courant.  B. Câblage incorrect de l'alimentation électrique AC.	A. Réinitialiser le module média en déconnectant le câble AC de la prise au mur. Si il n'y a pas de changement après réinitialisation, remplacer le module média.  B. Vérifier que le module média a été installé conformément au manuel d'installation. S'assurer que le courant AC est présent à la prise de branchement du module média.
3. La musique s'arrête et il y a une erreur musique.	A. Arrêt thermal.  B. Impédance haut-parleur incorrecte.	A. Arrêter le système pendant 1 heure pour permettre à l'unité de refroidir. S'assurer que l'emplacement d'installation n'excède pas 104°F (40°C).  B. Vérifier que l'impédance du haut-parleur soit de 4 à 8 ohms.
4. Le capteur de niveau d'eau ne détecte pas l'eau.	A. Le câble du capteur de niveau est endommagé. B. Le câble de capteur de niveau est desserré ou déconnecté. C. L'eau est trop pure.	A. Remplacer le câble de capteur de niveau. B. S'assurer que le câbles soit connecté proprement au module média. C. Rajouter du sel de bain à l'eau de bain.
5. Pas d'affichage sur l'interface de l'utilisateur.	A. Le câble de l'interface est endommagé. B. Le câble de l'interface n'est pas branché. C. L'interface ou le module média requièrent un dépannage.	A. Remplacer le câble de l'interface. B. Vérifier que le câble de l'interface est correctement branché dans l'interface à tous les emplacements. C. Contacter un représentant de service agréé Kohler Co.
6. Expériences ne fonctionnent pas.	A. la carte SD est délogée.	A. Contacter un représentant de service agréé Kohler Co.

**Tableau de dépannage de la télécommande**

<b>Symptômes</b>	<b>Cause probable</b>	<b>Action recommandée</b>
1. Opération intermittente ou imprévisible.	A. Interférence fréquence/canal.	A. Régler le RFID, PANID et le canal en suivant les instructions à l'écran de l'interface digitale pour la télécommande. Puis resynchroniser la télécommande tel qu'instruit dans la guide du propriétaire de baignoire.
2. la LED de la télécommande ne clignote pas ou clignote constamment.	A. Piles sont faibles.	A. Remplacer les piles (2 AA).
3. Un ou plusieurs boutons de la télécommande ne fonctionnent pas et la LED ne s'illumine pas.	A. Piles sont faibles.	A. Remplacer les piles (2 AA).



## Dépannage (cont.)

### Tableau de dépannage de la télécommande

Symptômes	Cause probable	Action recommandée
	<b>B.</b> Télécommande perdue. <b>C.</b> La télécommande est endommagée.	<b>B.</b> Re-synchroniser la télécommande à l'interface. <b>C.</b> Remplacer la télécommande.
<b>4.</b> Un ou plusieurs boutons de la télécommande ne fonctionnent pas mais la LED s'illumine.	<b>A.</b> L'interface digitale ne fonctionne pas correctement.	<b>A.</b> L'interface digitale devra peut-être être remplacée. Contacter un représentant agréé Kohler Co.

# Guía de instalación

## Interface digital

### INSTRUCCIONES IMPORTANTES



**ADVERTENCIA:** Al usar aparatos eléctricos, siga siempre las precauciones básicas, incluyendo las siguientes:



**PELIGRO: Riesgo de descarga eléctrica.** Conecte sólo a circuitos protegidos con un interruptor de circuito con pérdida a tierra (GFCI) o dispositivo de corriente residual (RCD). **La conexión a tierra es un requisito.** Un representante de servicio autorizado debe instalar esta unidad y conectarla a tierra.



**ADVERTENCIA: Riesgo de descarga eléctrica.** Un electricista calificado debe realizar todo el cableado eléctrico.



**ADVERTENCIA: Riesgo de descarga eléctrica.** Desconecte el suministro eléctrico antes de dar servicio.



**ADVERTENCIA: Riesgo de lesiones personales o daños a la propiedad.** Por favor, lea atentamente todas las instrucciones antes de comenzar la instalación.

**AVISO:** Cumpla con todos los códigos de plomería, eléctricos y de construcción.

## Especificaciones

### Interface

Temperatura ambiental	Máx 125°F (52°C)
Humedad relativa máxima	100% con condensación (Sólo superficie externa)
Longitud del cable de la interface digital (provisto con la interface digital)	30 pies (9,14 m)

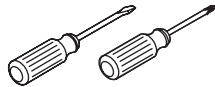
### Módulo de medios

Temperatura ambiental	Máx 104°F (40°C)
Humedad relativa máxima	95% sin condensación
<b>Circuito eléctrico</b>	100-240 V, 50/60 Hz, 2,0-0,83 A
Módulo de medios	100-240 V, 50/60 Hz, 2,0-0,83 A
Longitud del cable de la válvula (provisto)	30 pies (9,14 m)
Longitud del cable de entrada de línea	5,6 pies (1,71 m)
Longitud del cable Ethernet	30 pies (9,14 m)

## Herramientas y materiales



Lápiz



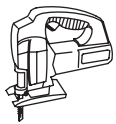
Destornilladores



Nivel

### Más:

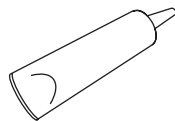
- Cuñas
- Ventosa (provista)



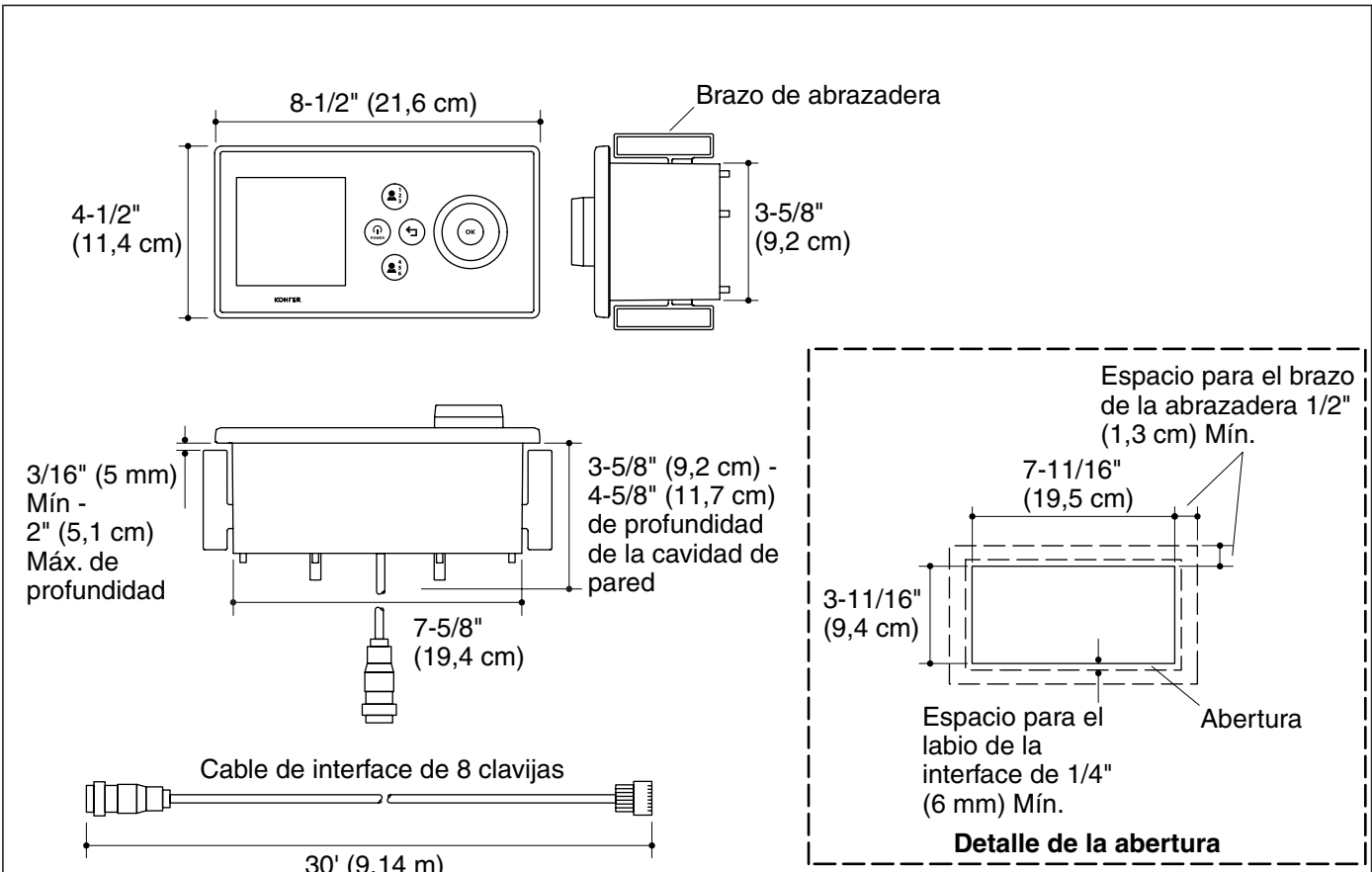
Sierra de vaivén o caladora eléctrica



Taladro



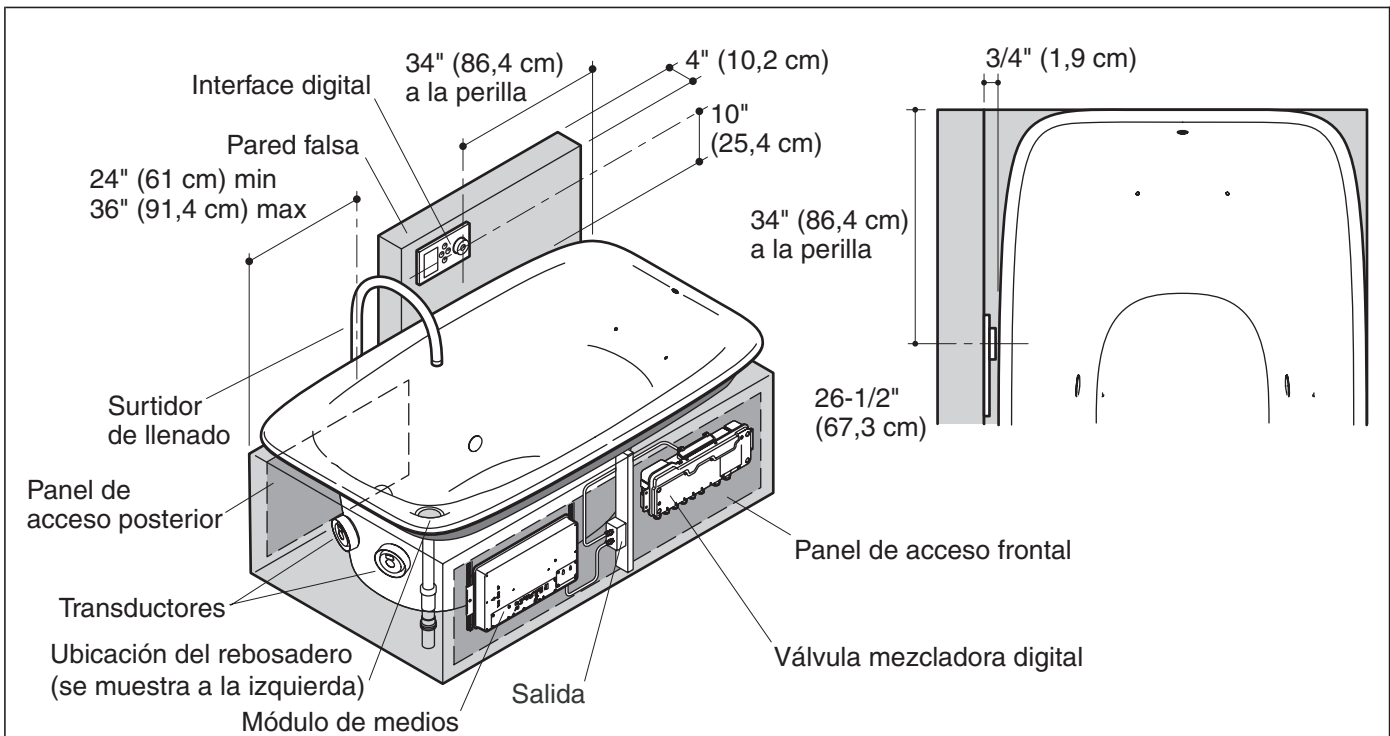
Sellador



## Diagrama de instalación

### Antes de comenzar

- Cumpla con todos los códigos locales de plomería, construcción y electricidad.
- Lea estas instrucciones y determine cuáles son los componentes requeridos y sus lugares de instalación, antes de comenzar la instalación.
- Un electricista calificado debe instalar un tomacorriente eléctrico GFCI de 15 A 120 V, en la estructura de postes de madera, cerca de la válvula electrónica y el módulo de medios. La interface recibe alimentación eléctrica a través de la conexión con el módulo de medios.
- Instale la válvula y el módulo de medios antes de instalar la interface.
- Kohler Co. se reserva el derecho de modificar el diseño de nuestros productos sin previo aviso, tal como se especifica en la lista de precios.



## Descripción general de la instalación

Para obtener los mejores resultados, siga la secuencia de instalación que se recomienda a continuación. Consulte el contenido de esta guía y las guías de instalación embaladas con cada componente de su sistema de bañera.

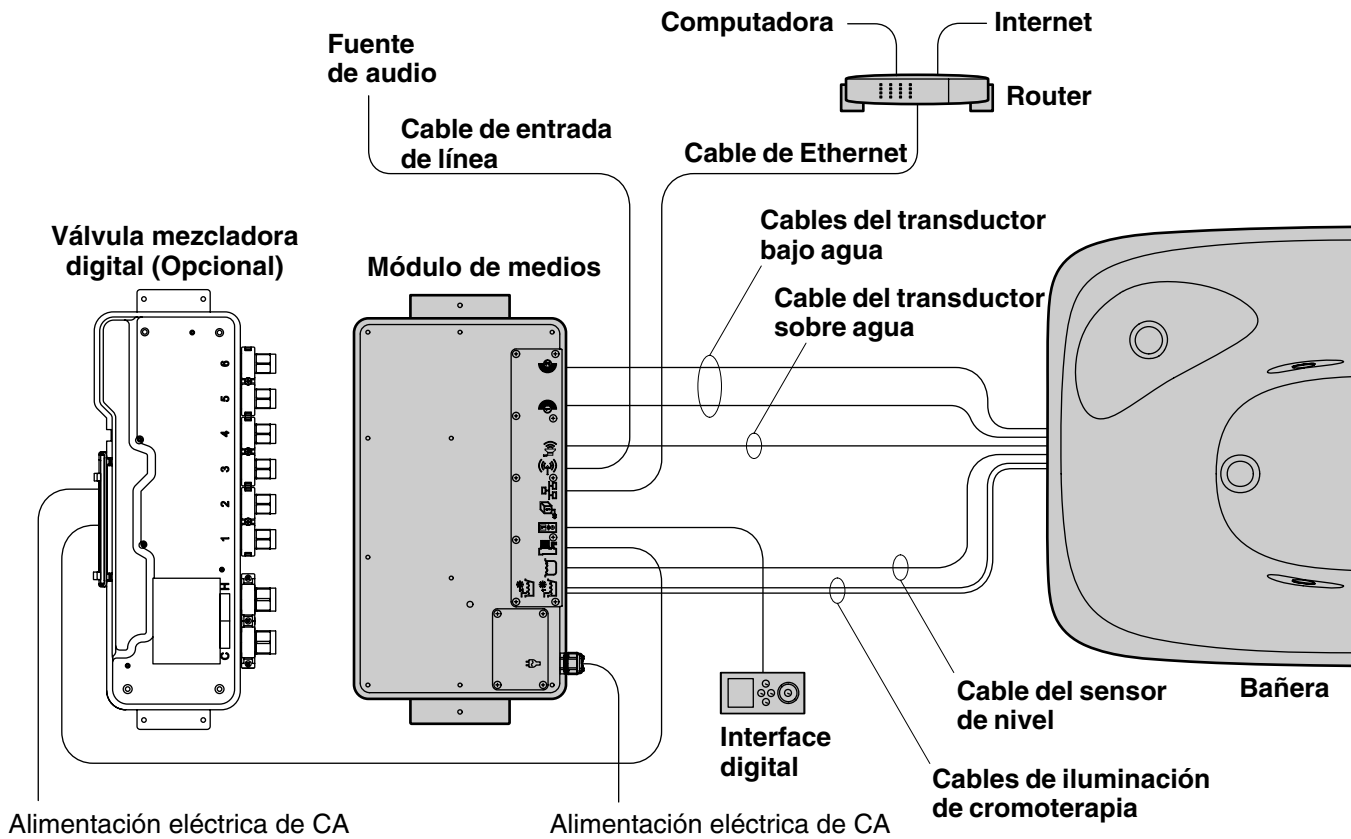
**NOTA:** La ilustración de arriba muestra una instalación típica con los lugares de instalación preferidos para la interface digital, el módulo de medios y la válvula mezcladora digital (opcional).

### Secuencia de instalación recomendada

- Determine el lugar de instalación del módulo de medios y la válvula mezcladora digital (si se utiliza).
- Construya la isla de postes de madera para la bañera. Proporcione un encajonado de postes de madera del tamaño correcto para el módulo de medios (requerido) y la válvula mezcladora digital (opcional).
- Determine el lugar de instalación de los paneles de acceso (requeridos) para dar servicio a los transductores de la bañera, módulo de medios y válvula mezcladora digital (si se utiliza). Planee la construcción de isla según corresponda.
- Instale la cubierta de la isla. Utilice las plantillas de corte provistas con la bañera cuando prepare la cubierta.
- Construya la pared falsa de postes de madera para la interface digital.
- Tienda toda la plomería incluyendo: las líneas de suministro (surtidor y ducha de mano), línea de desagüe y válvula (si aplica).
- Instale el o los tomacorrientes eléctricos próximos al lugar de instalación del módulo de medios y de la válvula (opcional).
- Si aplica, tienda el cable Ethernet al router.
- Tienda el cable de la interface digital al módulo de medios.
- Complete la pared falsa.
- Instale la interface digital y el módulo de medios. Siga las instrucciones contenidas con cada producto.

### **Descripción general de la instalación (cont.)**

- Instale la bañera y el desagüe.
- Conecte todos los cables.
- Termine las paredes de la isla e instale los paneles de acceso frontal y posterior.

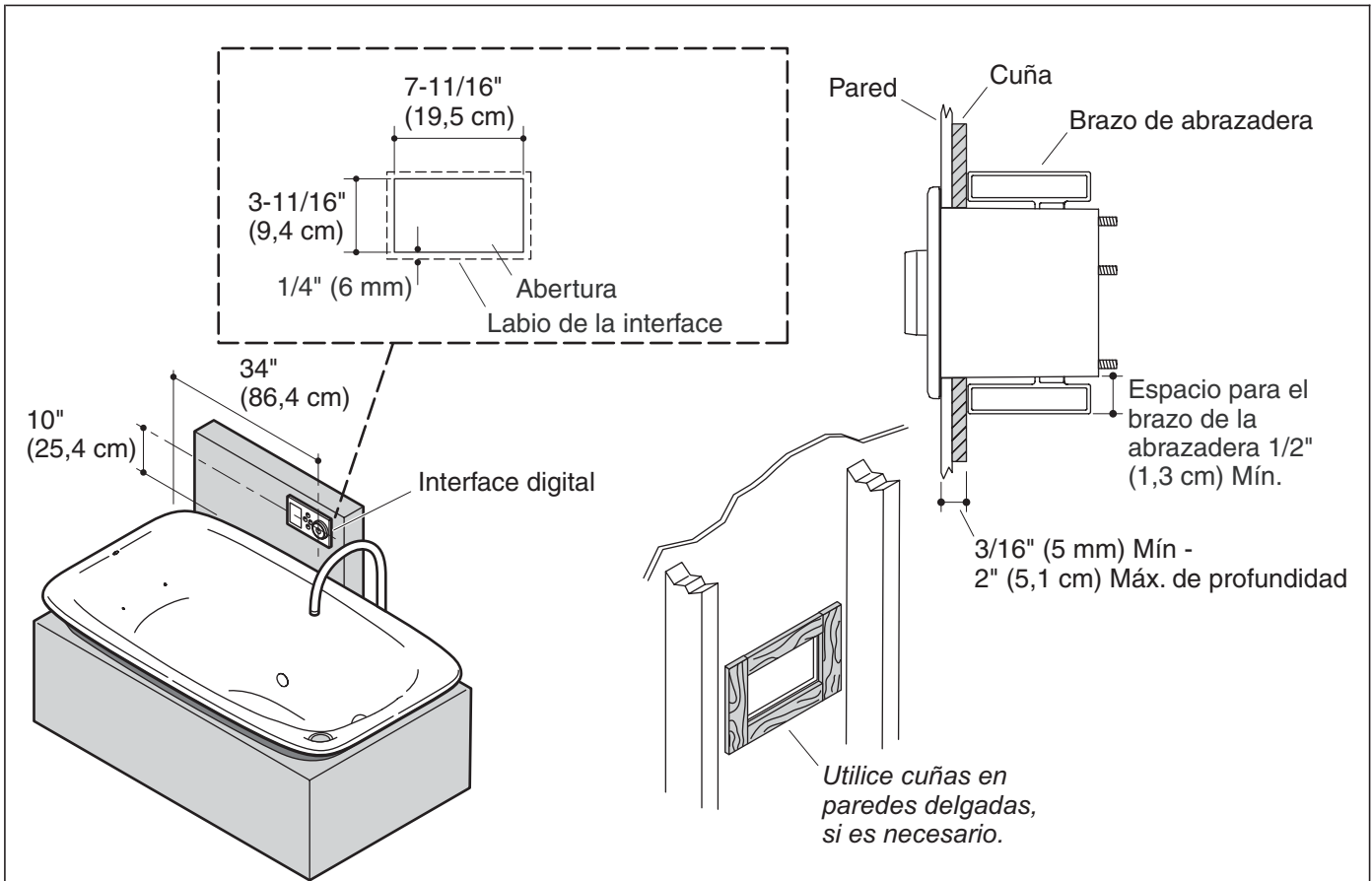


## 1. Componentes

La interfaz digital controla la válvula mezcladora digital, los transductores, el sensor de nivel "Smart Fill", la iluminación de cromo y la música a través del módulo de medios.

Hay cables disponibles para conectar el audio (entrada de línea) y Ethernet al módulo de medios.

- Determine cuáles son los componentes requeridos y los lugares de instalación, antes de comenzar la instalación.
- Verifique que los componentes se instalen de manera que los cables de conexión alcancen fácilmente entre los puntos de conexión.
- Consulte la guía de instalación provista con cada producto para obtener las necesidades específicas de instalación.

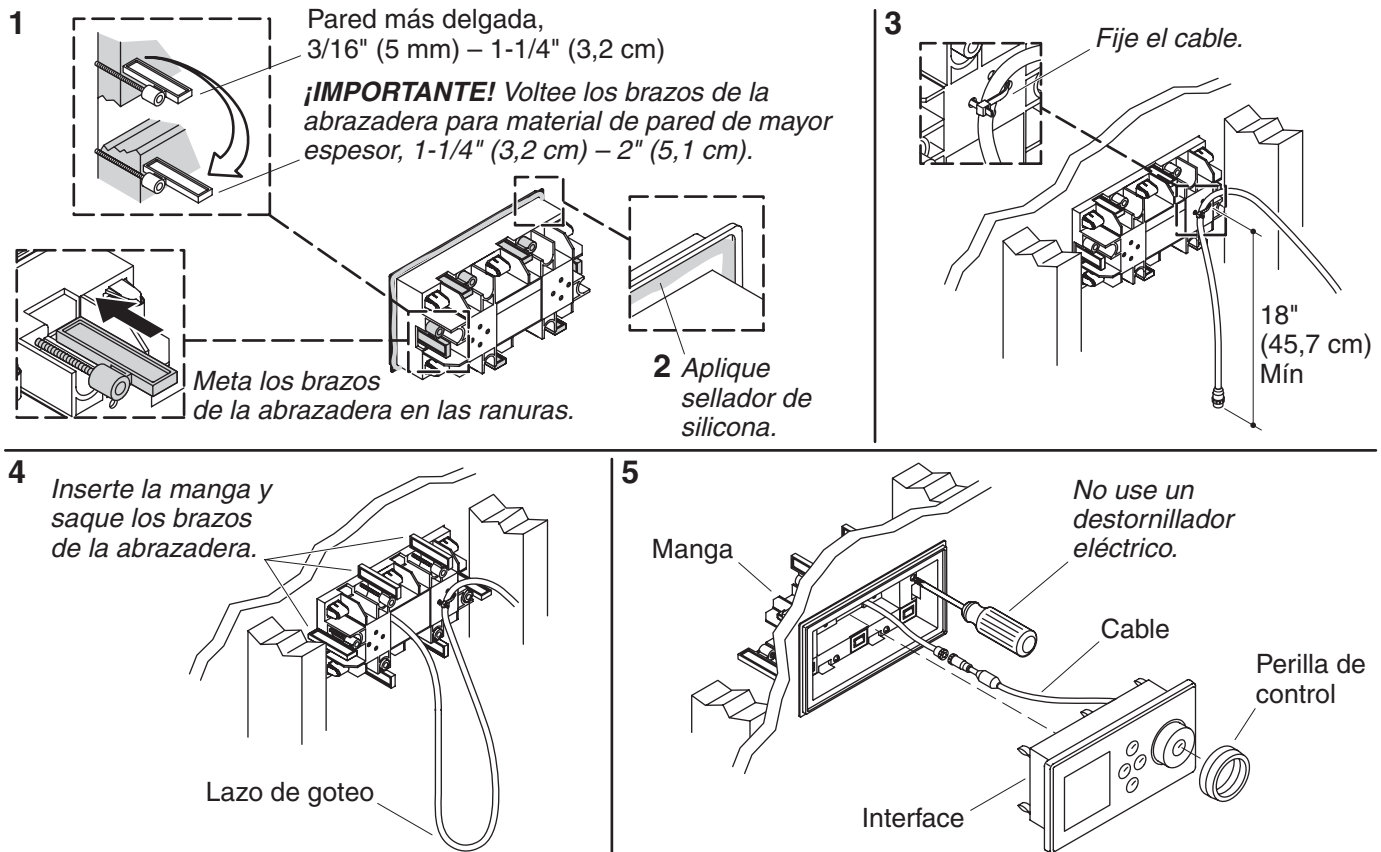


## 2. Prepare el sitio

**NOTA:** Prevea para que se sobreponga de 1/4" (6 mm) del labio de la manga de pared y una separación mínima de 1/2" (1,3 cm) alrededor de la parte posterior de la abertura para permitir que los clips enganchen completamente.

- Consulte el diagrama de instalación. Con un lápiz, marque la líneas de corte en la pared acabada.
- Con cuidado corte la abertura en la pared acabada siguiendo la línea trazada con lápiz.
- Para materiales delgados de acabado de la pared de menos de 3/16" (5 mm), utilice cuñas alrededor de la parte posterior de la abertura para proveer el soporte adecuado para montar la manga de pared de la interface.





### 3. Instale la interface



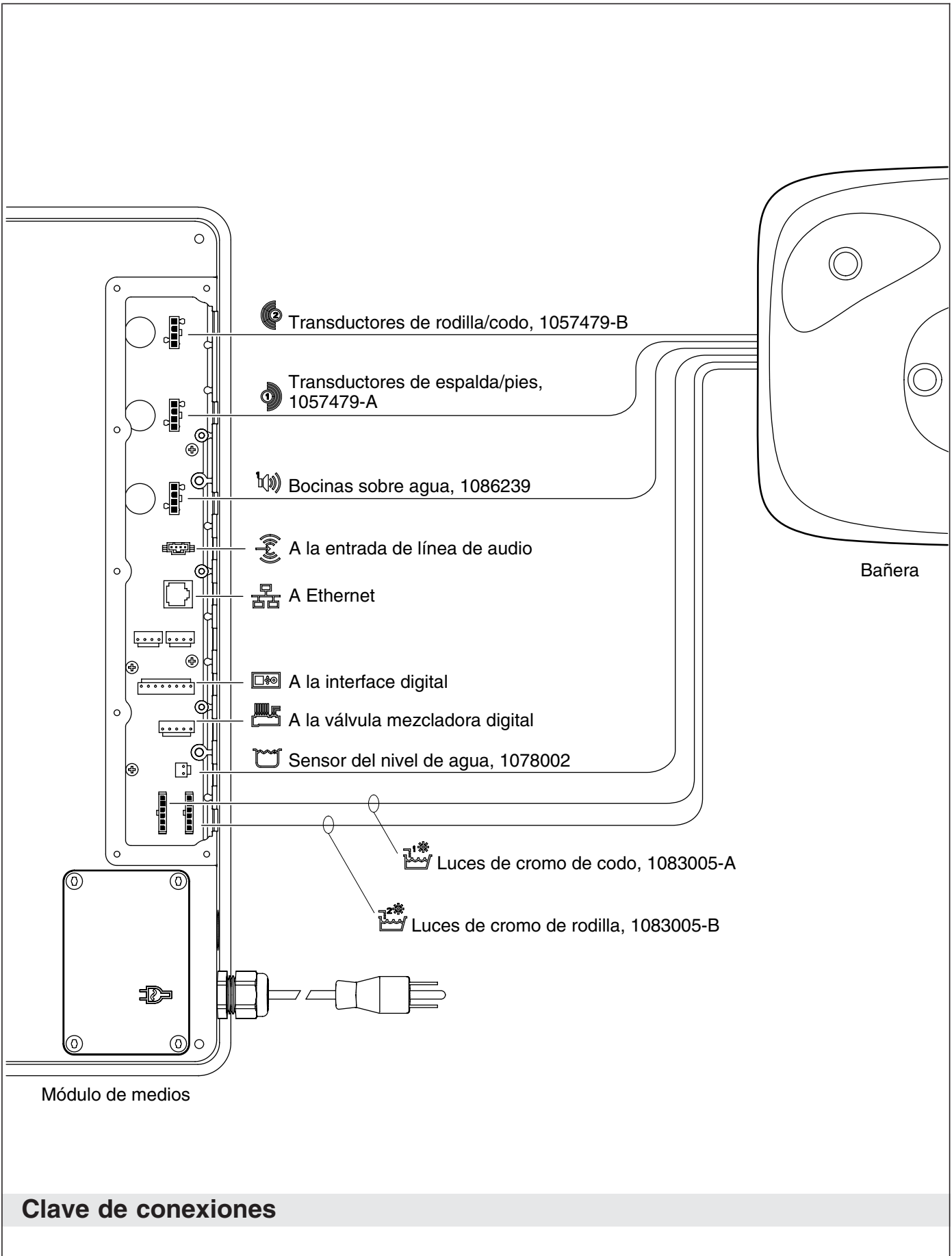
**PRECAUCIÓN: Riesgo de daños al producto.** No utilice destornilladores eléctricos para instalar la interface.

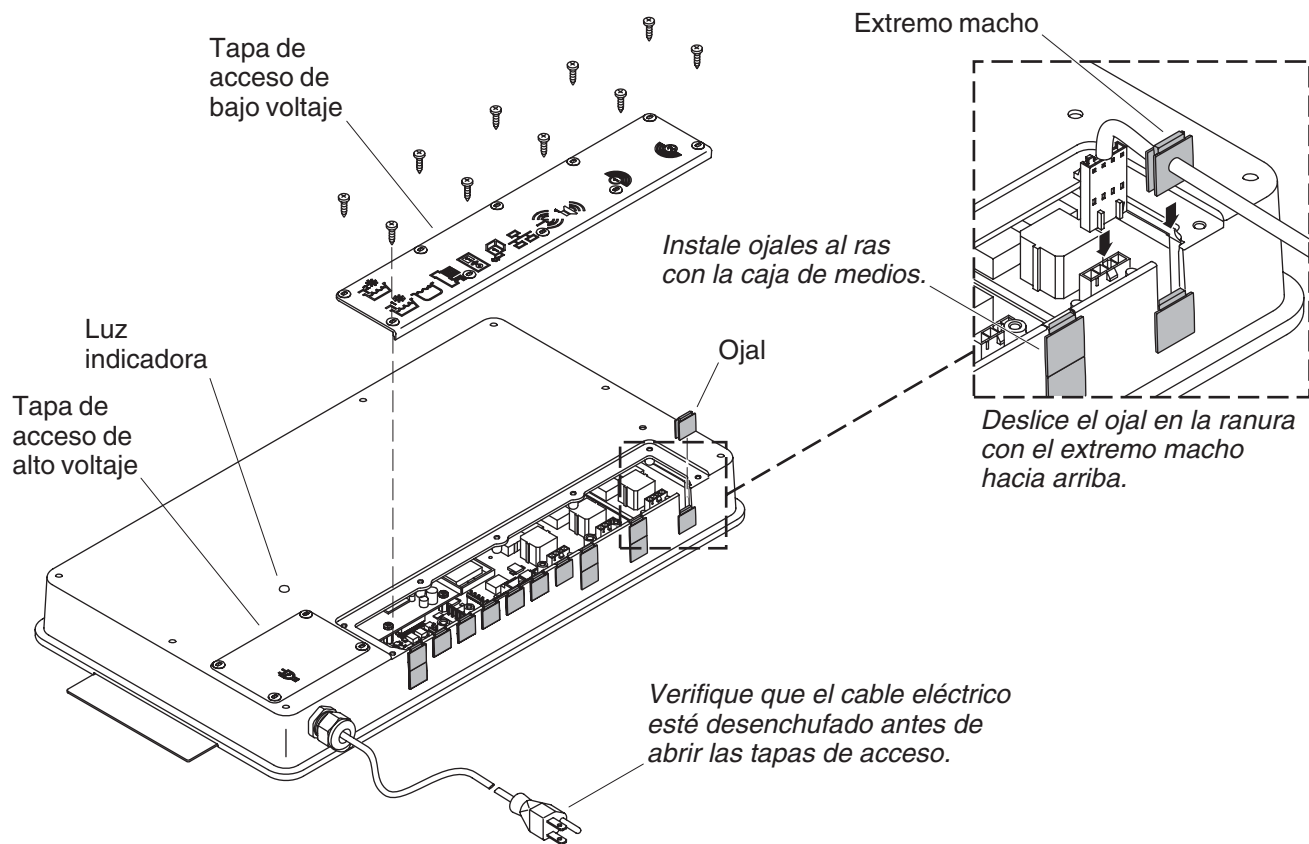
**NOTA:** Los brazos de la abrazadera se pueden quitar y voltear para permitir la instalar en paredes de mayor espesor.

- Mida el espesor de la pared acabada.
- Si corresponde, voltee los brazos del clip para permitir materiales de pared de mayor espesor. Consulte la ilustración mostrada arriba.
- Fije el cable de la interface, desde el módulo de medios, con una atadura a la parte posterior de la manga de pared dejando aproximadamente 18" (45,7 cm) de cable colgando libremente.
- Inserte el extremo libre del cable de la interface en la abertura de la manga de pared.
- Meta los brazos de la abrazadera en las ranuras de la manga.
- Aplique una tira de sellador de silicona en la ranura alrededor de la parte posterior del labio de la manga.
- Inserte la manga en la abertura.
- Gire los brazos de la abrazadera de modo que estén perpendiculares con la abertura.
- Apriete a mano los tornillos. No apriete demasiado.
- Limpie el exceso de sellador de alrededor del frente de la manga. Tenga cuidado de no ensuciar de sellador la superficie exterior de la manga.
- Retire el tapón de los cables de la interface.
- Conecte la interface al cable de la interface.

### **Instale la interface (cont.)**

- Con cuidado pase la conexión a través del orificio en la manga de pared y dentro de la cavidad de la pared. Un lazo de goteo se formará automáticamente en el cable.
- Verifique que el empaque esté en su lugar en la interface.
- Deslice el cuerpo de la interface en la manga.
- Presione con firmeza la interface con las palmas de sus manos hasta que encaje en su lugar.
- Verifique que la perilla de control esté instalada.





## 4. Conecte los componentes



**PRECAUCIÓN: Riesgo de descarga eléctrica o de daños al producto.** Asegúrese de que el cable eléctrico para el módulo de medios esté desenchufado o que esté desactivada la fuente de alimentación eléctrica antes de retirar las tapas de acceso.

- Retire la tapa de acceso de bajo voltaje del módulo de medios.
- Retire los ojales de los lugares donde se instalará el cable de la interface. Consulte la "Clave de conexiones".
- Presione suavemente cada conexión hasta que encaje.
- Deslice el ojal del cable en la ranura con el extremo macho hacia arriba. Verifique que el ojal esté bien asentado.
- Vuelva a instalar la tapa de acceso. No apriete demasiado.
- Enchufe el cable eléctrico del módulo de medios al tomacorriente, o para opciones de cableado directo, active la energía eléctrica. Verifique que la luz indicadora se encienda y pulse.
- Pruebe cada componente para asegurar el funcionamiento correcto. Consulte las guías de instalación y del usuario provistas con cada componente individual para obtener información adicional.

## 5. Termine la instalación

- Si aún no se han instalado, instale los componentes adicionales en este momento según las instrucciones de instalación provistas con los productos. Para conectar al módulo de medios, consulte la sección "Conecte los componentes" en la Guía de instalación del módulo de medios.
- Vuelva a instalar las tapas de acceso del módulo de medios. No apriete demasiado.

## 6. Verificación de la instalación

- Enchufe la fuente de alimentación del módulo de medios al tomacorriente. Verifique que la luz indicadora del módulo de medios se encienda y pulse.
- Abra el suministro de agua a la válvula (si equipada).
- Revise todas las conexiones para asegurarse que no haya fugas y ajuste según sea necesario.
- Active el suministro eléctrico principal. Debe escuchar que la válvula enciende y el icono de encendido/apagado de la interface del usuario se encenderá con una luz intermitente color verde.
- Si aún no lo ha hecho, consulte la "Guía del usuario de la interface digital" para configurar la interface.

**NOTA:** Para obtener más información sobre el uso de la interface del usuario y sus menús, consulte la Guía del usuario de la interface del usuario.

- **Para instalaciones con una válvula mezcladora digital:** Oprima el [Icono de encendido] y luego oprima el [icono OK] para encender el llenador de la bañera. Abra la ducha de mano oprimiendo el [Icono Opciones], luego utilice el disco de la interface para desplazarse a "Ducha - mano" y seleccione oprimiendo el [Icono OK]. Esto activará todas las salidas de válvula y purgará el aire del sistema.
- Revise que no haya fugas y ajuste según sea necesario.
- Verifique que el flujo de agua sea suficiente para las necesidades de su bañera.

## Procedimiento para resolver problemas



**PRECAUCIÓN: Riesgo de lesiones personales.** La válvula (si está instalada) puede tener agua caliente; tenga cuidado al drenar el agua residual.

**¡IMPORTANTE!** Cierre el suministro de agua y desconecte el suministro eléctrico a todos los componentes antes de realizar el mantenimiento.

Se recomienda que un representante de servicio autorizado de Kohler Co. realice todo el mantenimiento de la válvula.

Esta guía para resolver problemas está diseñada únicamente como ayuda general. Para preguntas de servicio o instalación, llame al 1-800-4-KOHLER.

**Tabla para resolver problemas de la interface**

Síntomas	Causa probable	Acción recomendada
1. La interface digital no se ilumina.	<p><b>A.</b> El módulo de medios no está enchufado en el tomacorriente.</p> <p><b>B.</b> La conexión de la fuente de alimentación eléctrica al módulo de medios puede estar floja o desconectada.</p> <p><b>C.</b> Las conexiones del cable de la interface pueden estar flojas o desconectadas.</p> <p><b>D.</b> El interruptor de circuito se ha disparado.</p> <p><b>E.</b> Se puede requerir el restablecimiento del módulo de medios.</p> <p><b>F.</b> Si ninguna de las acciones recomendadas para los problemas anteriores corrige el síntoma, el módulo de medios o la interface requiere servicio.</p>	<p><b>A.</b> Enchufe el módulo de medios al tomacorriente.</p> <p><b>B.</b> Revise todas las conexiones de la fuente de alimentación al módulo de medios y vuelva a conectar si es necesario.</p> <p><b>C.</b> Revise todas las conexiones del cable de la interface, conecte si es necesario.</p> <p><b>D.</b> Restablezca la corriente eléctrica (reset) del interruptor de circuito.</p> <p><b>E.</b> Desconecte y vuelva a conectar la fuente de alimentación eléctrica del módulo de medios.</p> <p><b>F.</b> Consulte a su representante de servicio autorizado de Kohler Co.</p>

## Procedimiento para resolver problemas (cont.)

### Tabla para resolver problemas de la interface

Síntomas	Causa probable	Acción recomendada
2. El indicador de encendido de la interface pulsa pero no se enciende.	<p>A. Las conexiones del cable de la interface pueden estar flojas o desconectadas.</p> <p>B. Se requiere el restablecimiento del módulo de medios.</p> <p>C. Si la acción recomendada anteriormente no corrige el síntoma, la interface o el módulo de medios requiere servicio.</p>	<p>A. Revise todas las conexiones del cable de la interface, conecte si es necesario.</p> <p>B. Desconecte y vuelva a conectar la fuente de alimentación eléctrica del módulo de medios.</p> <p>C. Consulte a su representante de servicio autorizado de Kohler Co.</p>
3. La interface funciona normalmente pero no fluye agua del surtidor o de la ducha de mano.	<p>A. Las conexiones de entrada/salida pueden estar obstruidas.</p> <p>B. Las salidas no están a plomo correctamente.</p> <p>C. Los suministros del agua fría y caliente no están abiertos.</p> <p>D. Se puede requerir el restablecimiento de la memoria de la válvula o del módulo de medios.</p> <p>E. Error del sistema.</p> <p>F. Si ninguna de las acciones recomendadas para los problemas anteriores corrige el síntoma, el módulo de medios requiere servicio.</p>	<p>A. Verifique que no haya suciedad u obstrucciones en las entradas y las salidas. Limpie las rejillas de entrada. Consulte la sección "Limpie las rejillas de entrada" de la Guía del usuario de la válvula.</p> <p>B. Modifique el tendido de plomería según sea necesario.</p> <p>C. Abra el suministro de agua a la válvula.</p> <p>D. Desconecte y vuelva a conectar la fuente de alimentación eléctrica de la válvula o del módulo de medios.</p> <p>E. Vea si la interface del usuario tiene un código de error. Consulte la sección "Diagnóstico" en la Guía del usuario de la interface digital.</p> <p>F. Consulte a su representante de servicio autorizado de Kohler Co.</p>
4. Es difícil leer la pantalla.	<p>A. El contraste no está optimizado.</p> <p>B. El brillo no está optimizado.</p>	<p>A. Ajuste el contraste en el menú de valores de la interface del usuario.</p> <p>B. Ajuste el brillo en el menú de valores de la interface del usuario.</p>

### Tabla para resolver problemas de la válvula

Síntomas	Causa probable	Acción recomendada
1. La temperatura máxima de la mezcla está muy caliente o muy fría.	<p>A. Valor de temperatura máxima incorrecto.</p> <p>B. Las conexiones de entrada/salida pueden estar obstruidas.</p> <p>C. Si la acción recomendada anteriormente no corrige el síntoma, la interface o la válvula requiere servicio.</p>	<p>A. Consulte la sección "Fijar la temperatura máxima" en la Guía del usuario de la interface digital.</p> <p>B. Verifique que no haya suciedad u obstrucciones en las entradas y las salidas. Limpie las rejillas de entrada. Consulte la sección "Limpie las rejillas de entrada" de la Guía del usuario de la válvula.</p> <p>C. Consulte a su representante de servicio autorizado de Kohler Co.</p>

## Procedimiento para resolver problemas (cont.)

### Tabla para resolver problemas de la válvula

Síntomas	Causa probable	Acción recomendada
2. Flujo continuo.	A. El sistema no se apaga.	A. Cierre el suministro de agua y desconecte el suministro eléctrico, y comuníquese con su representante de servicio autorizado de Kohler Co.
3. La ducha de mano no funciona.	A. La ducha de mano no está activada.	A. Active la opción de ducha de mano en el menú de valores. Consulte la "Guía del usuario de la interface digital".
4. Sólo agua fría fluye de las salidas.	A. El suministro de agua caliente no está abierto o no está conectado a la entrada de la válvula. B. La entrada de agua caliente está obstruida. C. Si ninguna de las acciones recomendadas para los problemas anteriores corrige el síntoma, la válvula requiere servicio.	A. Verifique que el suministro de agua caliente esté abierto y conectado a la entrada de la válvula. B. Verifique que la rejilla de entrada del agua caliente no tenga obstrucciones. Limpie o reemplace la rejilla de entrada. Consulte la Guía del usuario de la válvula. C. Consulte a su representante de servicio autorizado de Kohler Co.
5. Caudal reducido o fluctuante. La válvula funciona correctamente.	A. Las conexiones de entrada/salida pueden estar obstruidas. B. La presión de salida de agua es baja. C. Flujo fluctuante. D. Si ninguna de las acciones recomendadas para los problemas anteriores corrige el síntoma, la válvula requiere servicio.	A. Verifique que no haya suciedad u obstrucciones en las entradas y las salidas. Limpie las rejillas de entrada. Consulte la sección "Limpie las rejillas de entrada" de la Guía del usuario de la válvula. B. Verifique que el caudal esté al mínimo requerido o más alto. Consulte la sección "Especificaciones" en la Guía del usuario de la válvula. C. Verifique que las presiones dinámicas de entrada estén dentro de las especificaciones. Consulte la sección "Especificaciones" en la Guía del usuario de la válvula. D. Consulte a su representante de servicio autorizado de Kohler Co.
6. Cambio o altibajas en la temperatura de mezcla.	A. La temperatura del agua fluctúa. B. Fluctuación de la temperatura del suministro de agua caliente. C. Diferencia de presión mayor que 5 psi (34,5 kPa) entre los suministros de agua caliente y fría.	A. Verifique que los diferenciales de temperatura de entrada sean suficientes. Consulte la sección "Especificaciones" en la Guía del usuario de la válvula. B. Verifique y haga los ajustes necesarios. C. Instale reguladores de presión para que los suministros estén dentro de 5 psi (34,5 kPa) uno del otro.

## Procedimiento para resolver problemas (cont.)

### Tabla para resolver problemas de la válvula

Síntomas	Causa probable	Acción recomendada
	D. Si ninguna de las acciones recomendadas para los problemas anteriores corrige el síntoma, la válvula requiere servicio.	D. Consulte a su representante de servicio autorizado de Kohler Co.
7. Fuga de agua en la válvula. <b>PRECAUCIÓN: Riesgo de lesiones personales o daños al producto.</b> Desconecte la energía eléctrica principal y cierre el suministro de agua.	A. Las conexiones no están aseguradas. B. Los sellos están gastados o dañados. C. Fuga interna.	A. Revise todas las conexiones. Realice los ajustes necesarios. B. Adquiera el paquete de sellos de servicio y cambie todos los sellos. C. La unidad requiere reconstrucción. Consulte a un representante de servicio autorizado de Kohler Co.
8. Sólo sale agua caliente, la válvula se apaga.	A. Las líneas de agua fría y caliente están invertidas.	A. Intercambie las conexiones de los suministros del agua fría y caliente. Verifique que el suministro de agua caliente esté conectado a la entrada identificada con la letra "H" y que el suministro de agua fría esté conectado a la entrada identificada con la letra "C."

### Tabla para resolver problemas de música

Síntomas	Causa probable	Acción recomendada
1. Los transductores de la bañera no producen sonido.	A. Los cables de los transductores no están bien conectados.	A. Asegúrese de que los cables estén bien instalados en las conexiones del Módulo de Medios y a los transductores de la bañera.
2. Después de tocar música con alto volumen, la música para aunque una canción esté bien seleccionada.	A. Apagado térmico.	A. Apague el sistema por 1 hora para dejar enfriar la unidad. Asegúrese de que el área donde está instalada la unidad no exceda de 104°F (40°C).
3. El menú Biblioteca no está disponible.	A. Se negó el acuerdo de Roku.	A. Ingrese al menú de valores, seleccione "Sistema", seleccione "Software de música", seleccione "Acuerdo de Roku" y seleccione "SI".
4. El servidor de música no está disponible.	A. La conexión inalámbrica está fuera de alcance. B. La red inalámbrica no está bien configurada. C. El cable de red no está conectado a la entrada correcta del router/interruptor.	A1. Mueva el router más cerca o instale un punto de acceso inalámbrico. A2. Conecte vía cable de Ethernet. B. Ingrese al menú de valores, seleccione "Sistema", seleccione "Seguridad WiFi", seleccione "Nombre de red", seleccione "Clave WEP/WPA" y escriba la clave de seguridad. C. Conecte el Módulo de Medios a los puertos de Ethernet del router/interruptor.



**Procedimiento para resolver problemas (cont.)**

**Tabla para resolver problemas de música**

Síntomas	Causa probable	Acción recomendada
	<p><b>D.</b> La computadora de su casa no tiene instalado/funcionando un servidor de medios compatible.</p> <p><b>E.</b> El servidor de medios en la computadora de su casa no está configurada para compartir archivos.</p> <p><b>F.</b> Se seleccionó la región Wi-Fi incorrecta.</p>	<p><b>D.</b> Instale/abra uno de los servidores de medios compatibles tales como Firefly Media Server, iTunes®, Microsoft® Windows® Media Connect, Rhapsody™, Yahoo! o Musicmatch® en su computadora y cargue su música favorita en la biblioteca del servidor.</p> <p><b>E.</b> Consulte el menú de ayuda del servidor de medios para configurar correctamente la función de compartir archivos.</p> <p><b>F.</b> Ingrese al menú de valores, seleccione "Sistema", seleccione "Software de música", seleccione "Región" y seleccione la región geográfica adecuada que corresponda a su router Wi-Fi.</p>
<p><b>5.</b> Tengo una red inalámbrica pero my Módulo de Medios no se conecta a la red.</p>	<p><b>A.</b> El cable de Ethernet está enchufado.</p> <p><b>B.</b> El Módulo de medios no está en el rango de Wi-Fi.</p> <p><b>C.</b> No se ingresó una clave WEP o WPA para su red con seguridad.</p> <p><b>D.</b> El router no está configurado para 802.11b.</p>	<p><b>A.</b> Desenchufe el cable de Ethernet.</p> <p><b>B.</b> Asegúrese de que el Módulo de Medios esté dentro del rango de su red Wi-Fi.</p> <p><b>C.</b> Ingrese al menú de valores, seleccione "Sistema", seleccione "Seguridad WiFi", seleccione "Nombre de red", seleccione "Clave WEP/WPA" y escriba la clave de seguridad.</p> <p><b>D.</b> Asegúrese de que el punto de acceso/router esté configurado para permitir clientes 802.11b.</p>
<p><b>6.</b> El Módulo de Medios no se puede conectar a un servidor iTunes si se está ejecutando el software de firewall.</p>	<p><b>A.</b> El firewall no está configurado correctamente para permitir compartir música de iTunes.</p>	<p><b>A.</b> Asegúrese de que el software de firewall esté configurado para permitir compartir música de iTunes. Para una Mac: Abra System Preferences. Seleccione el icono Sharing y haga clic en la ficha firewall. Seleccione la opción "iTunes Music Sharing." Para una PC: Consulte la documentación para cambiar los valores del software de firewall. Si ejecuta Windows XP service pack 2, abra "Security Center," seleccione "Windows Firewall," haga clic en la ficha "Exceptions", y verifique que iTunes esté habilitado. Si no, utilice "Add Programs" para habilitarlo. Después de hacer estos cambios, reinicie el Módulo de Medios desconectando y volviendo a conectar la energía eléctrica de CA.</p>
<p><b>7.</b> El Módulo de Medios no tiene acceso a la biblioteca iTunes.</p>	<p><b>A.</b> iTunes no se está ejecutando.</p>	<p><b>A.</b> Asegúrese de que la computadora que contiene su biblioteca de iTunes esté encendida y que iTunes se esté ejecutando.</p>

**Procedimiento para resolver problemas (cont.)**

**Tabla para resolver problemas de música**

Síntomas	Causa probable	Acción recomendada
	<p><b>B.</b> iTunes no está configurada para compartir.</p> <p><b>C.</b> iTunes no responde a los comandos del Módulo de Medios.</p>	<p><b>B.</b> En iTunes, asegúrese de activar la opción "music sharing". Vaya al menú iTunes&gt;Preferences o Edit&gt;Preferences para usuarios de PC. En el cuadro de diálogo que aparece, haga clic en el icono "Sharing", luego seleccione la opción "Share my music" para habilitar la función compartir en su red local.</p> <p><b>C.</b> Cierre y vuelva a iniciar iTues en su computadora.</p>
<p><b>8.</b> Puedo ver mi biblioteca iTunes en la lista de bibliotecas, pero cuando trato de conectar, la conexión falla.</p>	<p><b>A.</b> iTunes no está configurada para compartir.</p> <p><b>B.</b> El Módulo de Medios no tiene asignada una dirección IP.</p>	<p><b>A.</b> En iTunes, asegúrese de activar la opción "music sharing". Vaya al menú iTunes&gt;Preferences o Edit&gt;Preferences para usuarios de PC. En el cuadro de diálogo que aparece, haga clic en el icono "Sharing", luego seleccione la opción "Share my music" para habilitar la función compartir en su red local.</p> <p><b>B.</b> El Módulo de Medios no tenía asignada una dirección IP vía DHCP, pero la PC si la tenía. En esta situación, el Módulo de Medios puede ver la biblioteca vía Rendezvous, pero no puede conectarse a la biblioteca. Para verificar la dirección del Módulo de Medios: Ingrese al menú de valores, seleccione "Sistema", seleccione "Música", seleccione "Dirección IP de Roku". Si su dirección IP tiene el formato 169.254.xxx.xxx, el Módulo de Medios no obtuvo una dirección con asignación DHCP. Verifique la configuración del router para asegurar que esté configurado para asignar direcciones DHCP. Apague y vuelva a encender el Módulo de Medios desconectándolo y volviendo a conectarlo a la energía de CA.</p>

## Procedimiento para resolver problemas (cont.)

### Tabla para resolver problemas de música

Síntomas	Causa probable	Acción recomendada
9. El Módulo de Medios no tiene acceso a la biblioteca Windows Media Connect.	A. Windows Media Connect no está configurada para compartir.	A. Asegúrese de que la computadora que contiene su biblioteca de música esté encendida y que Windows Media Connect esté funcionando (el icono debe estar visible en la bandeja de tareas). Con el Módulo de Medios encendido y conectado a su red, asegúrese de que el Módulo de medios sea un dispositivo autorizado. Inicie Windows Media Connect a través de su Panel de Control. En la pantalla de asistente, desplácese en la lista de dispositivos. Si el Módulo de Medios no está en la lista, haga clic en el botón "Add" en la parte inferior de la lista. Haga clic en el Módulo de Medios, y luego haga clic en "OK". Debe aparecer en la lista de dispositivos autorizados. Haga clic en "Done". Apague y vuelva a encender el Módulo de Medios desconectándolo y volviendo a conectarlo a la energía de CA.
10. El Módulo de Medios no tiene acceso a la biblioteca Musicmatch.	A. Musicmatch no se está ejecutando. B. Musicmatch no está configurada para compartir.	A. Asegúrese de que la computadora que contiene su biblioteca de música esté encendida. B. Asegúrese de que Musicmatch tenga habilitada la opción de compartir música. En el menú principal Musicmatch, haga clic en Options/Settings. Haga clic en la ficha "CD Lookup/Connectivity." Haga clic en los botones junto a "Enable music server" y "Universal Plug and Play." No es necesario que Musicmatch se esté ejecutando mientras utiliza el Módulo de Medios; una vez habilitada, el servidor UpnP se ejecuta en el fondo. Apague y vuelva a encender el Módulo de Medios desconectándolo y volviendo a conectarlo a la energía de CA.

**Procedimiento para resolver problemas (cont.)**

**Tabla para resolver problemas de música**

<b>Síntomas</b>	<b>Causa probable</b>	<b>Acción recomendada</b>
11. El Módulo de Medios está conectado a mi red vía cable ethernet, pero no está habilitado para tocar el radio de Internet y algunas veces falla en ubicar, conectarse a, o tocar música de mis servidores de música.	<p>A. El Módulo de Medios no tiene asignada una dirección IP.</p> <p>B. El cable de Ethernet está dañado.</p>	<p>A. Determine la dirección del Módulo de Medios ingresando al menú de valores, seleccione "Sistema", seleccione "Música", seleccione "Dirección IP de Roku". Si su dirección IP tiene el formato 169.254.xxx.xxx, el Módulo de Medios no obtuvo una dirección con asignación DHCP. Verifique la configuración del router para asegurar que esté configurado para asignar direcciones DHCP. Apague y vuelva a encender el Módulo de Medios desconectándolo y volviendo a conectarlo a la energía de CA.</p> <p>B. Reemplace el cable de Ethernet.</p>
12. No sale sonido de los transductores de la bañera.	<p>A. La canción está en pausa.</p> <p>B. El volumen está muy bajo.</p>	<p>A. Asegúrese de que se esté tocando una canción. Si la canción está en pausa, oprima el botón "OK[94] para continuar la reproducción.</p> <p>B. Asegúrese de que el volumen esté lo suficientemente alto para poder disfrutarlo.</p>
13. Algunos archivos de música no se visualizan cuando se examina.	A. Falta la información de etiqueta ID3.	A. Pueden faltar etiquetas de datos ID3. La información acerca de su música, incluyendo el nombre de la canción, el artista, el compositor, el álbum y el estilo generalmente es creada automáticamente por el software que usted utilizó para crear los archivos de CD de audio en el disco duro de su computadora. Este proceso crea datos llamados "etiquetas ID3" para describir cada pista. Si estos datos faltan de sus archivos de música, éstos no aparecerán cuando usted examina esa categoría de datos. Usted puede editar esta información en software de caja de música como iTunes.
14. Un archivo de música no toca.	A. Formato de archivo no compatible.	A. Asegúrese de que su archivo sea de un formato compatible: Servidor de música iTunes: MP3, AAC, ALAC, AIFF y WAV Windows Media Player 11 / Windows Media Connect: MP3, WMA (inclusive DRM WMA) y WAV.
15. Las canciones adquiridas por medio de la tienda de música iTunes no tocan.	A. La canción no es compatible por DRM.	A. Esto es parte del funcionamiento normal. Los archivos DRM AAC (es decir, archivos adquiridos en la tienda de música de Apple) no son compatibles. Esos archivos se detectarán pero son saltados durante la reproducción.

## Procedimiento para resolver problemas (cont.)

### Tabla para resolver problemas de música

Síntomas	Causa probable	Acción recomendada
16. No puedo encontrar listas de reproducción que guardé en mi computadora.	A. Algunas listas de reproducción pueden no ser compatibles.	A. Usuarios de iTunes: Asegúrese de que su lista de reproducción haya sido creada en iTunes y que esté visible en su aplicación de iTunes. Usuarios de Windows Media Connect: Asegúrese de que sus listas de reproducción estén guardadas en My Documents\My Music\My Playlists u otra carpeta compartida. Usuarios de Musicmatch: Musicmatch exporta listas de reproducción de una manera no compatible. Usuarios de Slimserver: Asegúrese de que su lista de reproducción sea de un formato de lista de reproducción compatible con Slimserver.
17. Estoy recibiendo ruido no deseado o resonancia.	A. El faldón vibra contra la cubierta.  B. Los transductores resonan con la cubierta.	A. Verifique que las monturas de aislamiento de goma estén en contacto con la cubierta y que aislen el faldón de la cubierta.  B. Verifique que la bañera esté centrada en la abertura de la cubierta. Los transductores no deben estar en contacto con la estructura de postes de madera ni con la cubierta.

### Tabla para resolver problemas de iluminación

Síntomas	Causa probable	Acción recomendada
1. Las luces de la bañera no se encienden.	A. Las conexiones de cable están flojas o desconectadas.  B. Los cables de iluminación están conectados a los conectores incorrectos del módulo de medios.  C. La tira de luces de cromo está dañada.  D. El módulo de medios está malfunctionando.	A. Asegúrese de que los cables estén bien conectados al módulo de medios.  B. Verifique los cables y las conexiones, vuelva a conectar si es necesario.  C. Reemplace la tira de luces de cromo.  D. Tal vez el módulo de medios necesite reemplazo. Consulte a su representante de servicio autorizado de Kohler Co.

### Tabla para resolver problemas del módulo de medios

Síntomas	Causa probable	Acción recomendada
1. El sistema deja de funcionar y el LED de estado está rojo constante.	A. El sistema ha fallado.	A. Apague y vuelva a encender el Módulo de Medios desconectándolo de la energía de CA del tomacorriente de la pared. Si el LED de estado permanece rojo constante después de apagar y volver a encender, reemplace el Módulo de Medios.

## Procedimiento para resolver problemas (cont.)

### Tabla para resolver problemas del módulo de medios

Síntomas	Causa probable	Acción recomendada
2. El sistema deja de funcionar y el LED de estado está apagado.	<p>A. Falla de la fuente de alimentación eléctrica.</p> <p>B. Cableado incorrecto de la fuente de alimentación de CA.</p>	<p>A. Apague y vuelva a encender el Módulo de Medios desconectándolo de la energía de CA del tomacorriente de la pared. Si no hay cambio después de apagar y volver a encender, reemplace el Módulo de Medios.</p> <p>B. Verifique que el Módulo de Medios se haya instalado según el manual de instalación. Asegúrese de que haya energía de CA presente en el tomacorriente donde está enchufado el Módulo de Medios.</p>
3. La música deja de tocar y aparece un error de música.	<p>A. Apagado térmico.</p> <p>B. Carga incorrecta de las bocinas.</p>	<p>A. Apague el sistema por 1 hora para dejar enfriar la unidad. Asegúrese de que el área donde está instalada la unidad no exceda de 104°F (40°C).</p> <p>B. Verifique que la carga de las bocinas sea de 4 a 8 ohms.</p>
4. El sensor del nivel de agua no detecta agua.	<p>A. El cable del sensor de nivel está dañado.</p> <p>B. El cable del sensor de nivel está flojo o desconectado.</p> <p>C. El agua es demasiado pura.</p>	<p>A. Reemplace el cable del sensor de nivel.</p> <p>B. Asegúrese de que el cable esté bien conectado al módulo de medios.</p> <p>C. Agregue sales para bañera al agua.</p>
5. No hay visualización en la interface del usuario.	<p>A. El cable de la interface está dañado.</p> <p>B. El cable de la interface no está enchufado.</p> <p>C. La interface o el Módulo de Medios requiere servicio.</p>	<p>A. Reemplace el cable de la interface.</p> <p>B. Verifique que el cable de la interface esté correctamente enchufado en la interface en todos los lugares.</p> <p>C. Consulte a su representante de servicio autorizado de Kohler Co.</p>
6. Las funciones Experiences no funcionan.	<p>A. La tarjeta SD no está bien encajada.</p>	<p>A. Consulte a su representante de servicio autorizado de Kohler Co.</p>

### Tabla para resolver problemas del control remoto

Síntomas	Causa probable	Acción recomendada
1. Funcionamiento intermitente o errático.	<p>A. Interferencia de frecuencia/canal.</p>	<p>A. Establezca los valores de RFID, PANID y canal siguiendo las instrucciones de pantalla de la interface digital para control remoto. Luego vuelva a sincronizar el control remoto como se indica en la Guía del usuario de la bañera.</p>
2. El diodo emisor de luz o LED no parpadea o parpadea constantemente.	<p>A. Las pilas están bajas.</p>	<p>A. Reemplace las pilas (2 AA).</p>
3. Uno o más botones del control remoto no funcionan y el diodo emisor de luz o LED no se ilumina.	<p>A. Las pilas están bajas.</p> <p>B. El programa del control remoto se perdió.</p> <p>C. El control remoto está dañado.</p>	<p>A. Reemplace las pilas (2 AA).</p> <p>B. Vuelva a sincronizar el control remoto a la interface.</p> <p>C. Reemplace el control remoto.</p>

## Procedimiento para resolver problemas (cont.)

### Tabla para resolver problemas del control remoto

Síntomas	Causa probable	Acción recomendada
4. Uno o más botones del control remoto no funcionan pero el diodo emisor de luz o LED se ilumina.	A. La interface digital está malfuncionando.	A. Tal vez la interface digital necesite reemplazo. Consulte a su representante autorizado de Kohler Co.

USA: 1-800-4-KOHLER  
Canada: 1-800-964-5590  
México: 001-877-680-1310

[kohler.com](http://kohler.com)

THE BOLD LOOK  
OF **KOHLER**®

©2008 Kohler Co.

1093343-2-B