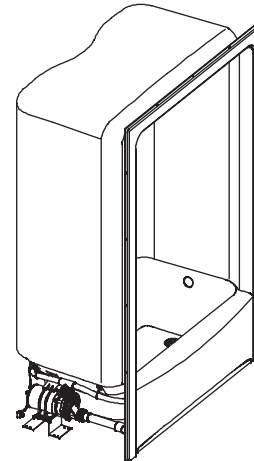


Features

- Acrylic
- Integral flange
- Left or right drain
- 4 individually adjustable multi-directional hydro-massage jets
- Grab bar and shelf
- Integral soap ledge
- 60" (152.4 cm) x 34-13/16" (88.4 cm) x 90" (228.6 cm)

BATH/SHOWER WHIRLPOOL K-1683, K1684



Codes/Standards Applicable

Specified model meets or exceeds the following:

- ANSI Z124.1.2
- ASME A112.19.7M
- ASTM E162
- ASTM E662
- UL 1795

Colors/Finishes

- 0: White
- Other: Refer to Price Book for additional colors/finishes

Accessories

- CP: Polished Chrome
- Other: Refer to Price Book for additional colors/finishes
- 0: White

Specified Model

Model	Description	Colors/Finishes	
K-1683	Bath/Shower whirlpool with left drain – integral flange	<input type="checkbox"/> 0	<input type="checkbox"/> Other_____
K-1684	Bath/Shower whirlpool with right drain – integral flange	<input type="checkbox"/> 0	<input type="checkbox"/> Other_____

Required Accessories

K-9459	Sonata accessory kit	<input type="checkbox"/> CP	<input type="checkbox"/> Other_____
--------	----------------------	-----------------------------	-------------------------------------

Recommended Accessories

K-7166-AF	Clearflo pop-up bath drain	<input type="checkbox"/> CP	<input type="checkbox"/> Other_____
K-9529	Removable Sonata bath whirlpool seat (recommended)		<input type="checkbox"/> 0

Optional Accessories

K-1665	Dome light	<input type="checkbox"/> CP	<input type="checkbox"/> Other_____
Refer to the Kohler Price Book for available shower door options.			

Product Specification

The acrylic bath/shower whirlpool with integral flange shall be 60" (152.4 cm) in length, 34-13/16" (88.4 cm) in width, and 90" (228.6 cm) in height. Product shall have 4 individually adjustable multi-directional hydro-massage jets, a pump with air switch and cord with plug. Product shall have a left or right drain, an integral soap ledge, grab bar, shelf. Bath/shower whirlpool shall be Kohler Model K-_____-_____.

SONATA®

Technical Information

Fixture*:	
Basin area:	
Bathing well	46" (116.8 cm) x 23" (58.4 cm)
Top area	54" (137.2 cm) x 27" (68.6 cm)
Weight	200 lbs (90.7 kg)
To overflow:	
Water depth	11-7/8" (30.2 cm)
Capacity	55 gal (208.2 L)
* Approximate measurements for comparison only.	

Pump	V	Hz	A
1-speed:	120	60	7.5

Required Electrical Service

Dedicated circuit required, protected with Class A Ground-Fault Circuit-Interrupter (GFCI) or Residual Current Device (RCD):

Pump/control 120 V, 15 A, 60 Hz

Locate the outlet behind the whirlpool and within 24" (61 cm) of the pump.

Installation Notes

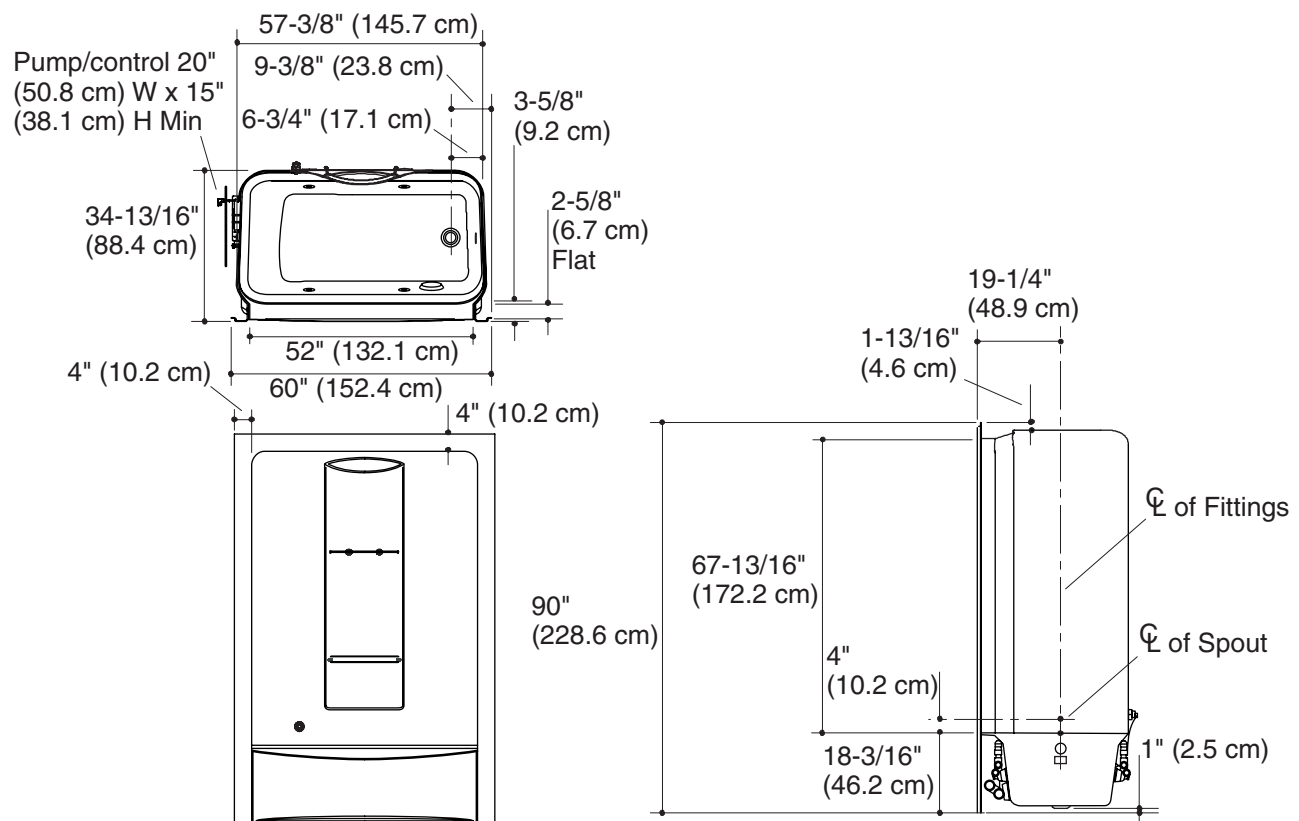
Install this product according to the installation guide.

Floor support under whirlpool must provide for a minimum of 48 lbs/square foot (232 kg/square meter) loading.

Shimming is required to level the fixture.

Stud opening tolerance [+ 1/4" (6 mm) - 0" (0 mm)]. When a fire rated wall is specified, dimensions are to the inside of the wall board. Some shimming between the stud frame and the fixture may be required.

The K-1657/K-1663 or K-1708/K-1647-PC steam generator/control kit are designed for use with this product. Kohler shall not be responsible for problems encountered due to the installation and use of other manufacturer's steam generators.



Product Diagram